

Hazardous area cable glands
Terminator™ II TMCX

CROUSE-HINDS
SERIES

Terminator II TMCX cable glands

For use with metal-clad, TECK, unarmoured and tray cable



EATON

Powering Business Worldwide

A photograph of an industrial facility, likely a refinery or chemical plant. The scene is dominated by large, complex piping systems, including a prominent horizontal pipe with a 90-degree elbow. Scaffolding and metal walkways are visible throughout the structure. In the foreground, there are large cylindrical tanks, some with orange safety tarps draped over them. The sky is a clear, pale blue. The overall impression is one of a busy, large-scale industrial operation.

Terminator™ II TMCX

barrier glands for terminating cable
in hazardous locations



Easy to prepare and install

Full range of sizes
for any application



Features and specifications

The Terminator™ II TMCX Cable Gland is an armoured barrier, non-armoured barrier and TECK armoured gland used to terminate cable in hazardous locations. Its unique design features, coupled with our new fast curing Chico® LiquidSeal compound, make the Terminator™ II TMCX Cable Gland the easiest and safest solution available.

Cable types:

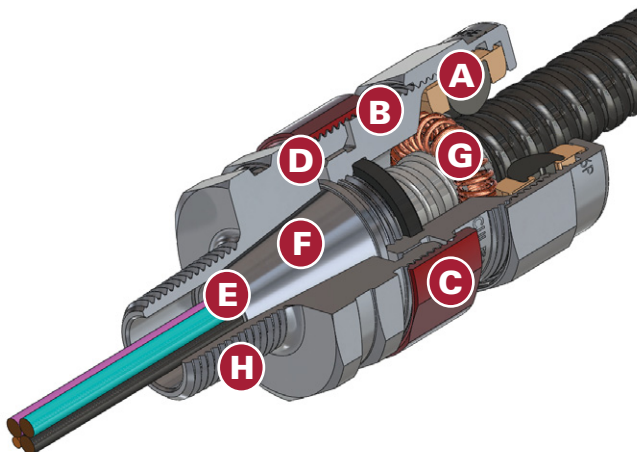
- Metal-clad and TECK (interlocked and continuously welded corrugated armoured) cable
- Unarmoured and tray cable – TC, TC-ER (HL)

Certifications and compliances:

- Class I, Division 1, Groups A, B, C, D
- Class II, Groups E, F, G
- Class III
- Class I, Zone 1, Group IIC
- NEMA 6P (½" to 1-¼" size 1)
- NEMA 4 (1-¼" size 2 to 4")
- UL/cULus Listed - File No. E122485

Features and benefits:

- Designed to minimize the opportunity for incorrect assembly
- Simple selection process and field preparation aids to ensure the right gland is selected every time
- Full coverage of all popular cables and hub sizes, ensuring a perfect seal in all instances
- Use of nickel-plated brass and stainless steel to increase corrosion resistance and maintain integrity in the harshest environments
- Chico® LiquidSeal, an innovative liquid compound with fast gel and cure times, reduces waiting times
- Complete with integral dam to facilitate liquid pour
- Integral union design reduces the number of times the gland has to be assembled and disassembled during installation
- Mating components have generous lead-ins to ensure that assembly is as trouble-free as possible, even with the heaviest cables
- Use of neoprene seal allows use in temperatures from -40°C to +60°C; for specific temperature information, please contact your local sales representative
- Metric size threads allow interfacing to European machinery



Design features:

- Ⓐ Captive sealing and back nut – the use of retaining rings with snap-in features enables the TMCX to retain all of the components in the entry end of the gland.
- Ⓑ Integral union – the design allows for a two-piece assembly gland, minimizing tightening and loosening of nuts.
- Ⓒ Red anodized nut – this hard-wearing, permanent, consistent coating is standard on all units.
- Ⓓ Anti-rotation feature – for single tool assembly; the splined shaft ensures that the two assemblies lock together and do not rotate during assembly.
- Ⓔ Barrier compounds – Chico® LiquidSeal or standard TSC epoxy compound options allow for rapid curing and assembly in any orientation.
- Ⓕ Conical compound chamber – ensures that double the misalignment can be accepted without the risk of binding.
- Ⓖ Captive garter spring – copper flashed stainless steel ensures good connectivity, strength and corrosion resistance.
- Ⓗ NPT and ISO threads – entire range of cable glands are available with either NPT or metric threads in all materials.

Multiple cable ranges per hub size for simplified selection

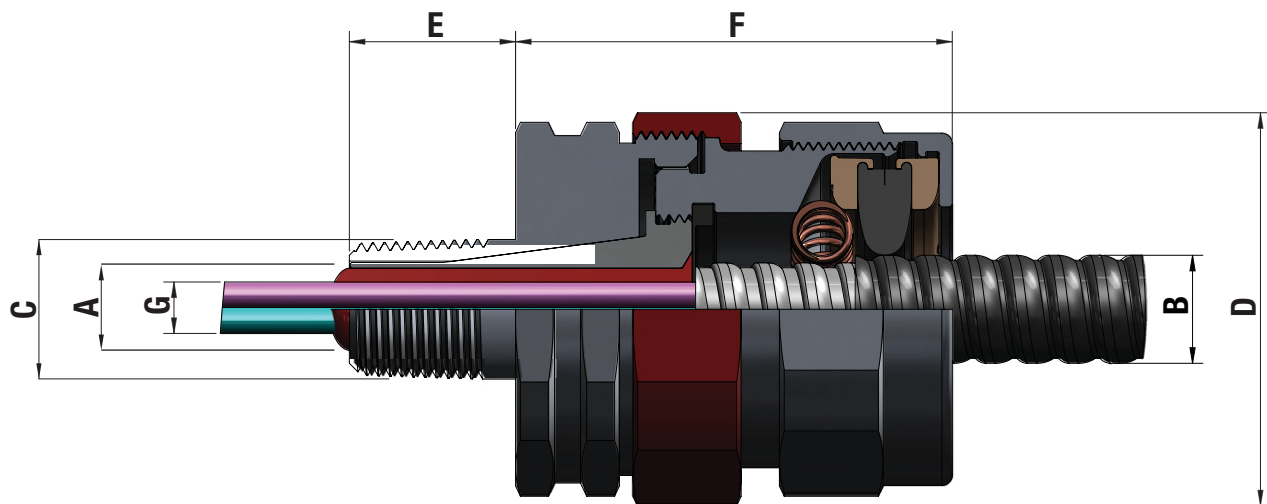
Selection table:

Entry thread 'C'	NPT catalog no.	Entry thread 'C' (metric option)	Metric catalog no.	Over cond. O.D. max. inches†	'A' armour O.D.		'B' cable O.D.‡		Across corners 'D'	Thread length NPT 'E' (metric mm.)	Length 'F'
					Min.	Max.	Min.	Max.			
½"	TMCX050 0	M20	TMCXM20 0	0.480	0.36 (9.14)	0.66 (16.76)	0.45 (11.43) ‡	0.70 (17.78)	1.44 (36.51)	0.89 (22.61)	2.93 (74.42)
½"	TMCX050 1	M20	TMCXM20 1	0.480	0.40 (10.16)	0.86 (21.84)	0.49 (12.45)	0.90 (22.86)	1.75 (44.45)	1.00 (25.40)	3.05 (77.47)
½"	TMCX050 2	M20	TMCXM20 2	0.480	0.56 (14.22)	1.14 (28.96)	0.65 (16.51)	1.18 (29.97)	2.25 (57.15)	1.00 (25.40)	3.18 (80.77)
¾"	TMCX075 0	M25	TMCXM25 0	0.713	0.36 (9.14)	0.66 (16.76)	0.45 (11.43) ‡	0.70 (17.78)	1.63 (41.28)	0.90 (22.86)	2.93 (74.42)
¾"	TMCX075 1	M25	TMCXM25 1	0.713	0.40 (10.16)	0.86 (21.84)	0.49 (12.45)	0.90 (22.86)	1.75 (44.45)	1.00 (25.40)	3.05 (77.47)
¾"	TMCX075 2	M25	TMCXM25 2	0.713	0.56 (14.22)	1.14 (28.96)	0.65 (16.51)	1.18 (29.97)	2.25 (57.15)	1.00 (25.40)	3.18 (80.77)
1"	TMCX100 0	M32	TMCXM32 0	0.713	0.40 (10.16)	0.86 (21.84)	0.49 (12.45) ‡	0.90 (22.86)	1.75 (44.45)	1.08 (27.40)	3.13 (79.50)
1"	TMCX100 1	M32	TMCXM32 1	0.939	0.56 (14.22)	1.14 (28.96)	0.65 (16.51)	1.18 (29.97)	2.25 (57.15)	1.08 (27.40)	3.18 (80.77)
1"	TMCX100 2	M32	TMCXM32 2	0.939	0.78 (19.81)	1.35 (34.29)	0.87 (22.10)	1.39 (35.31)	2.56 (65.02)	1.08 (27.40)	3.30 (83.82)
1-¼"	TMCX125 1	M40	TMCXM40 1	1.172	0.78 (19.81)	1.35 (34.29)	0.87 (22.10)	1.39 (35.31)	2.56 (65.02)	1.08 (27.40)	3.30 (83.82)
1-¼"	TMCX125 2	M40	TMCXM40 2	1.150	0.94 (23.87)	1.67 (42.41)	1.03 (26.16)	1.65 (41.91)	3.73 (94.74)	1.25 (31.75)	4.71 (119.63)
1-½"	TMCX150 1	M50	TMCXM50 1	1.370	0.94 (23.87)	1.67 (42.41)	1.03 (26.16)	1.65 (41.91)	3.73 (94.74)	1.25 (31.75)	4.71 (119.63)
1-½"	TMCX150 2	M50	TMCXM50 2	1.370	1.28 (32.51)	1.97 (50.03)	1.53 (38.86)	2.07 (52.58)	4.11 (104.39)	1.25 (31.75)	4.71 (119.63)
2"	TMCX200 1	M63	TMCXM63 1	1.760	1.28 (32.51)	1.97 (50.03)	1.53 (38.86)	2.07 (52.58)	4.11 (104.39)	1.25 (31.75)	4.71 (119.63)
2"	TMCX200 2	M63	TMCXM63 2	1.760	1.67 (42.41)	2.62 (66.54)	1.81 (45.97)	2.72 (69.09)	4.98 (126.49)	1.25 (31.75)	5.63 (143.00)
2-½"	TMCX250 1	M75	TMCXM75 1	2.140	1.67 (42.41)	2.62 (66.54)	1.81 (45.97)	2.72 (69.09)	4.98 (126.49)	1.81 (45.97)	5.63 (143.00)
2-½"	TMCX250 2	M75	TMCXM75 2	2.140	2.11 (53.59)	2.95 (74.93)	2.34 (59.44)	3.13 (79.50)	5.61 (142.49)	1.81 (45.97)	5.80 (147.32)
3"	TMCX300 1	M90	TMCXM90 1	2.690	2.11 (53.59)	2.95 (74.93)	2.34 (59.44)	3.13 (79.50)	5.61 (142.49)	1.81 (45.97)	5.80 (147.32)
3"	TMCX300 2	M90	TMCXM90 2	2.690	2.45 (62.23)	3.39 (86.10)	2.68 (68.07)	3.61 (91.69)	6.23 (158.24)	1.81 (45.97)	6.26 (159.00)
3-½"	TMCX350 1	M110	TMCXM110 1	3.130	2.45 (62.23)	3.39 (86.10)	2.68 (68.07)	3.61 (91.69)	6.23 (158.24)	1.94 (49.28)	6.26 (159.00)
3-½"	TMCX350 2	M110	TMCXM110 2	3.570	3.05 (77.47)	4.22 (107.18)	3.13 (79.50)	3.97 (100.84)	6.73 (170.94)	1.94 (49.28)	6.52 (165.61)
4"	TMCX400 1	-	-	3.130	2.45 (62.23)	3.39 (86.10)	2.68 (68.07)	3.61 (91.69)	6.23 (158.24)	2.00 (50.80)	6.26 (159.00)
4"	TMCX400 2	-	-	3.570	3.05 (77.47)	4.22 (107.18)	3.13 (79.50)	3.97 (100.84)	6.73 (170.94)	2.00 (50.80)	6.52 (165.61)

*All dimensions in inches; metric millimeters shown in parenthesis.

†When making your cable gland selection based on Cable O.D., be sure to also observe the Over Conductors O.D. dimension.

‡Minimum cable O.D. for CSA certification is 0.49 (12.45) for TMCX050 0 & TMCX075 0; 0.57 (14.48) for TMCX100 0.



Ordering information

Catalog numbering system:

TMCX

050

1

NP

L

Hub Size

NPT	Hub (in.)	Metric	Hub (mm.)
050	½"	M20	20
075	¾"	M25	25
100	1"	M32	32
125	1-¼"	M40	40
150	1-½"	M50	50
200	2"	M63	63
250	2-½"	M75	75
300	3"	M90	90
350	3-½"	M110	110
400	4"	-	-

Material

BLANK	Aluminum
SS	316 Stainless steel
NP	Nickel-plated brass

Compound type

BLANK	TSC
L	Liquid

Cable sealing range

Hub size code	Thread	Sealing range code	Standard cable sealing range
050	½" NPT	0	0.45" - 0.70"
		1	0.49" - 0.90"
		2	0.65" - 1.18"
075	¾" NPT	0	0.45" - 0.70"
		1	0.49" - 0.90"
		2	0.65" - 1.18"
100	1" NPT	0	0.49" - 0.90"
		1	0.65" - 1.18"
		2	0.87" - 1.39"
125	1-¼" NPT	1	0.87" - 1.39"
		2	1.03" - 1.71"
150	1-½" NPT	1	1.03" - 1.71"
		2	1.42" - 2.07"
200	2" NPT	1	1.42" - 2.07"
		2	1.81" - 2.72"
250	2-½" NPT	1	1.81" - 2.72"
		2	2.24" - 3.28"
300	3" NPT	1	2.24" - 3.28"
		2	2.62" - 3.78"
350	3-½" NPT	1	2.62" - 3.78"
		2	3.11" - 4.28"
400	4" NPT	1	2.62" - 3.78"
		2	3.11" - 4.28"

Hub size code	Thread	Sealing range code	Metric cable sealing range
M20	M20 ISO	0	11.4 mm - 17.8 mm
		1	12.4 mm - 22.8 mm
		2	16.5 mm - 29.9 mm
M25	M25 ISO	0	11.4 mm - 17.8 mm
		1	12.4 mm - 22.8 mm
		2	16.5 mm - 29.9 mm
M32	M32 ISO	0	12.4 mm - 22.8 mm
		1	16.5 mm - 29.9 mm
		2	22.0 mm - 35.3 mm
M40	M40 ISO	1	22.0 mm - 35.3 mm
		2	26.1 mm - 43.4 mm
M50	M50 ISO	1	26.1 mm - 43.4 mm
		2	36.0 mm - 52.7 mm
M63	M63 ISO	1	36.0 mm - 52.7 mm
		2	45.9 mm - 69.0 mm
M75	M75 ISO	1	45.9 mm - 69.0 mm
		2	56.8 mm - 83.3 mm
M90	M90 ISO	1	56.8 mm - 83.3 mm
		2	66.5 mm - 96.0 mm
M110	M110 ISO	1	66.5 mm - 96.0 mm
		2	78.9 mm - 108.7 mm

Barrier compounds

Chico® LiquidSeal

- Mixing time: 2 minutes
- Application: pour/gun
- Gel time: 15-30 minutes*
- Full cure/return to service time: 2 hours*
- Available for installation in vertical position
- Integral dam means no packing or taping to prevent liquid leakage

*At 20°C ambient temperature.



Catalog no.	Size (ml.)	Standard carton quantity
LSC 10	10 ml.	10
LSC 20	20 ml.	10
LSC 75	75 ml.	5

Chico® LiquidSeal 200 ml. cartridge

- Easily and quickly pour multiple glands
- Self-mixing nozzles
- Gel time: 15-30 minutes*
- Full cure/return to service time: 2 hours*
- Can be stored between uses
- ½" to 1-¼" in aluminum TMCX II now available bulk packed without compound
- Can be stored between uses

*At 20°C ambient temperature.



Applicator gun not included.

Catalog No.	Description	Standard carton quantity
LSC200CART	200 ml. liquid compound cartridge and three (3) mixing nozzles	1
LSC TIP	Replacement mixing nozzles	5

Bulk pack glands

Catalog no.	Description	Standard carton quantity
TMCX050 0 BULK	½" cable glands without compound	20
TMCX075 0 BULK	¾" cable glands without compound	15
TMCX100 0 BULK	1" cable glands without compound	15
TMCX050 1 BULK	½" cable glands without compound	20
TMCX075 1 BULK	¾" cable glands without compound	15
TMCX100 1 BULK	1" cable glands without compound	10
TMCX125 1 BULK	1-¼" cable glands without compound	10

TSC epoxy compound

- Mixing time: 5 minutes
- Application: by hand
- Full cure time: 24 hours
- Available for installation in any orientation



Catalog no.	Tube size (oz.)	Standard carton quantity
TSC05	0.5 oz.	10
TSC1	1.0 oz.	10
TSC4	4.0 oz.	5



**U.S. (global headquarters):
Eaton's Crouse-Hinds Business**

1201 Wolf Street
Syracuse, NY 13208

(866) 764-5454
FAX: (315) 477-5179
FAX Orders Only:
(866) 653-0640

CrouseCustomerCTR@
Eaton.com

www.crouse-hinds.com

For more information:

If further assistance is
required, please contact
an authorized Eaton
Distributor, Sales Office,
or Customer Service
Department.

Canada

Toll Free: 800-265-0502
FAX: (800) 263-9504
FAX Orders only: (866) 653-0645

Mexico/Latin America/Caribbean:

52-555-804-4000
FAX: 52-555-804-4020
ventascentromex@eaton.com

Europe (Germany)

49 (0) 6271 806-500
49 (0) 6271 806-476
sales.CCH.de@
cooperindustries.com

Middle East (Dubai)

971 4 8066100
FAX: 971 4 8894813
chmesales@eaton.com

Singapore

65-6645-9888
FAX: 65-6297-4819
chsi-sales@
cooperindustries.com

China

86-21-2899-3600
FAX: 86-21-2899-4055
cchsales@
cooperindustries.com

Korea

82-2-3484-6783
82-2-3484-6778
CCHK-sales@
cooperindustries.com

Australia

61-2-8787-2777
FAX: 61-2-9609-2342
CEASales@
cooperindustries.com

India

91-124-4683888
FAX: 91-124-4683899
cchindia@eaton.com

Eaton
1000 Eaton Boulevard
Cleveland, OH 44122
United States
Eaton.com

Eaton's Crouse-Hinds
1201 Wolf Street
Syracuse, NY 13208

© 2016 Eaton
All Rights Reserved
Printed in USA
Publication No. 5073-0216
February 2016

Eaton is a registered trademark.

All other trademarks are property
of their respective owners.



Powering Business Worldwide