

## | MCB distribution for lighting circuits, heating circuits, socket distributions |



6

### Technical data

#### MCB distribution for lighting circuits | heating circuits | socket distribution

Marking accd. to 94/9/EC	$\text{Ex}$ II 2 G Ex de ia/ib m [ia/ib] IIC T6/T5/T4 $\text{Ex}$ II 2 D Ex tD A21 IP66/IP65 T80 °C, T95 °C
EC-Type Examination Certificate	PTB 99 ATEX 1044
Permissible ambient temperature	-20 °C up to +40 °C -55 °C up to +55 °C (option)
IECEX Certificate of Conformity	IECEX BKI 06.0007
Marking accd. to IECEx	Ex de ia/ib m [ia/ib] T4 ... T6 Ex tD A21 IP66 T80 °C
Rated voltage	690 V
Rated current	180 A
Protection class	I
Terminal cross section	up to 240 mm <sup>2</sup>
Degree of protection accd. to EN 60529	IP66
Weight	see ordering details
Enclosure material	glass-fibre reinforced polyester
Enclosure colour	black

### Ordering details distribution for lighting circuits

Content	Type	MCB 2-pole	Connection terminals	Cable glands	Weight approx.	Order No.
40 A	1	8 x 16 A	10 mm <sup>2</sup>	1 x M40 (17 - 28 mm Ø) 8 x M25 ( 8 - 17 mm Ø)	20 kg	<b>EXKO 214 600 G 0000</b>
80 A	2	12 x 16 A	16 mm <sup>2</sup>	1 x M50 (22 - 35 mm Ø) 12 x M25 ( 8 - 17 mm Ø)	32 kg	<b>EXKO 214 600 G 0001</b>
80 A	3	24 x 16 A	16 mm <sup>2</sup>	1 x M50 (22 - 35 mm Ø) 24 x M25 ( 8 - 17 mm Ø)	56 kg	<b>EXKO 214 600 G 0002</b>

### Ordering details distribution for heating circuits

Content	Type	RCBO 2-pole	Connection terminals	Cable glands	Weight approx.	Order No.
40 A	1	8 x 16 A, 30 mA	10 mm <sup>2</sup>	1 x M40 (17 - 28 mm Ø) 8 x M25 ( 8 - 17 mm Ø)	20 kg	<b>EXKO 214 600 G 0003</b>
80 A	2	12 x 16 A, 30 mA	16 mm <sup>2</sup>	1 x M50 (22 - 35 mm Ø) 12 x M25 ( 8 - 17 mm Ø)	32 kg	<b>EXKO 214 600 G 0004</b>
80 A	3	24 x 16 A, 30 mA	16 mm <sup>2</sup>	1 x M50 (22 - 35 mm Ø) 24 x M25 ( 8 - 17 mm Ø)	56 kg	<b>EXKO 214 600 G 0005</b>

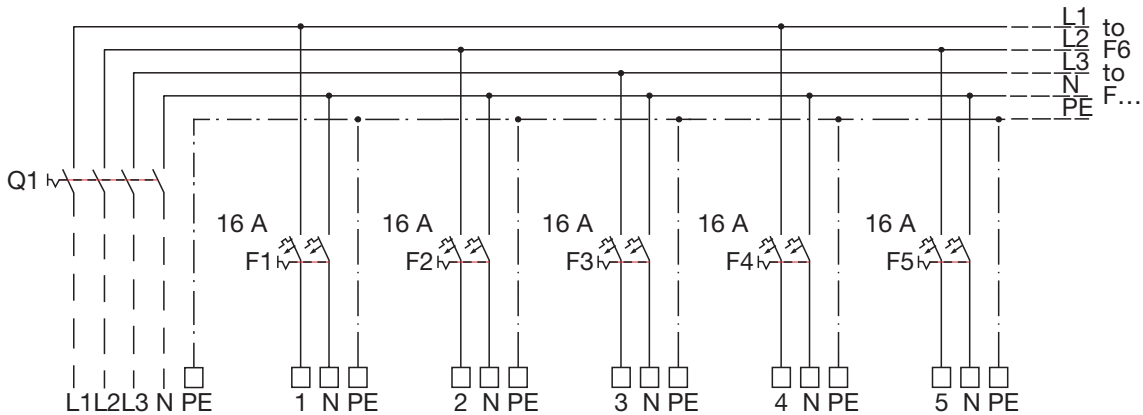
### Ordering details distribution for sockets

Content MCB	Type	Socket outlets	Cable glands	Weight approx.	Order No.
2 x 16 A	1	2 x 16 A 3-pole	1 x M40 (17 - 28 mm Ø)	10 kg	<b>EXKO 233 800 C 0001</b>
2 x 16 A 1 x 32 A	2	1 x 16 A 3-pole 1 x 16 A 5-pole 1 x 32 A 5-pole	1 x M40	20 kg	<b>EXKO 233 800 C 0002</b>
4 x 16 A	3	2 x 16 A 3-pole 2 x 16 A 5-pole	1 x M40	25 kg	<b>EXKO 233 800 C 0003</b>

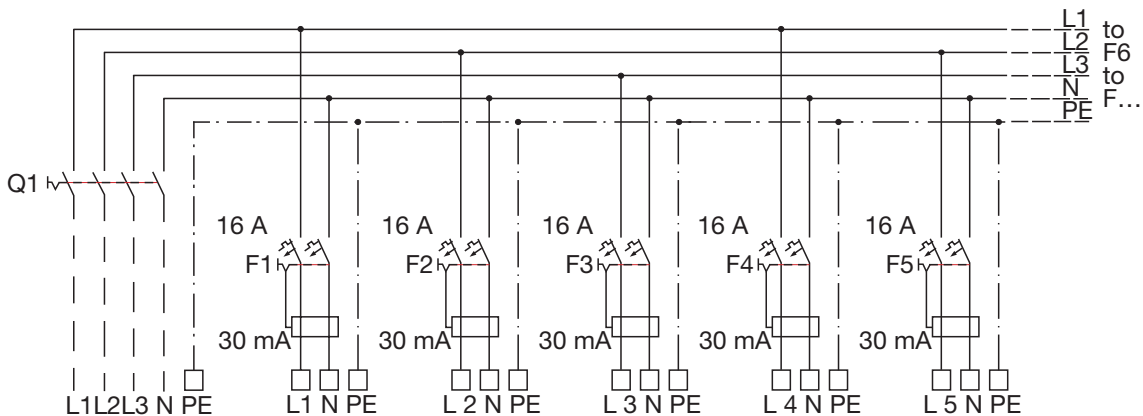


Wiring diagram lighting distribution | heating circuits | socket distribution

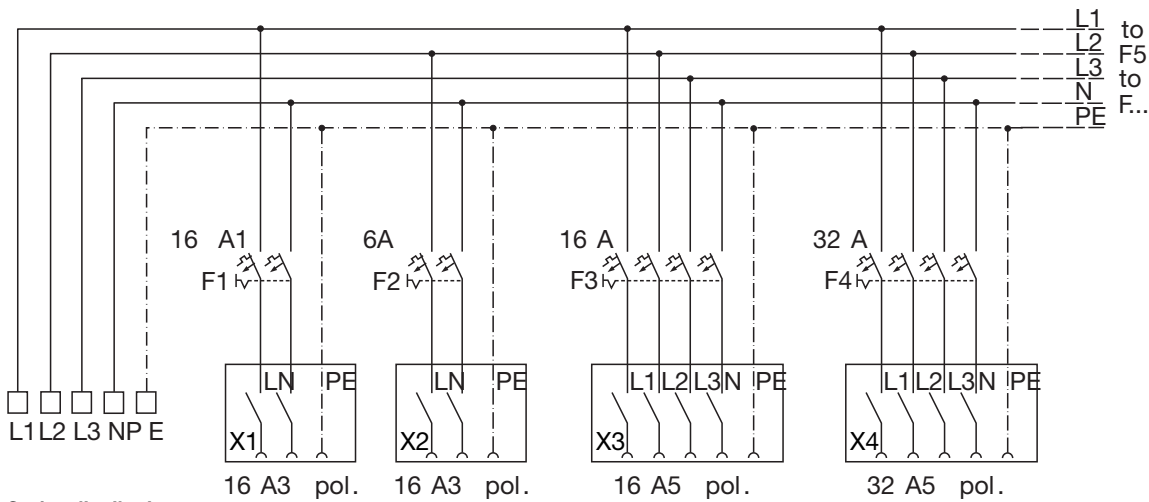
6



Lighting distribution



Heating circuits

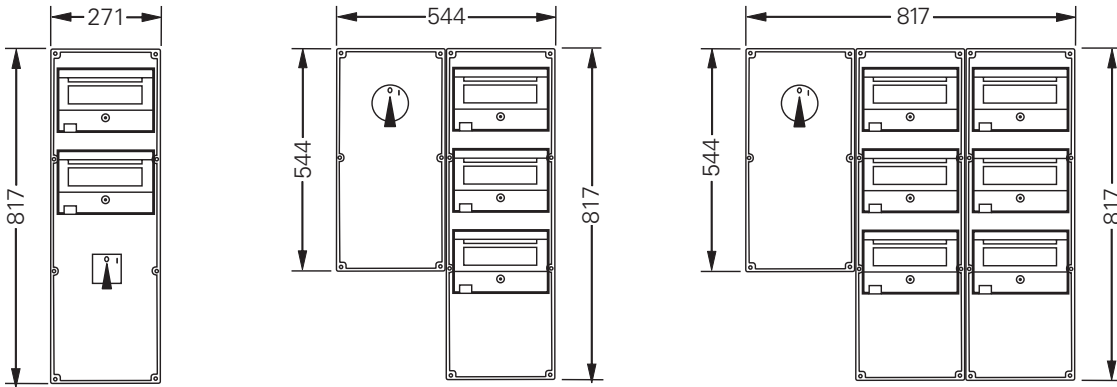


Socket distribution



Dimension drawing lighting distribution | heating circuits | socket distribution

6

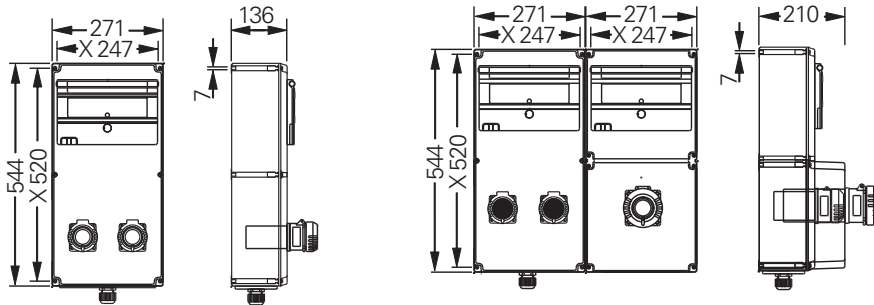


Type 1

Type 2

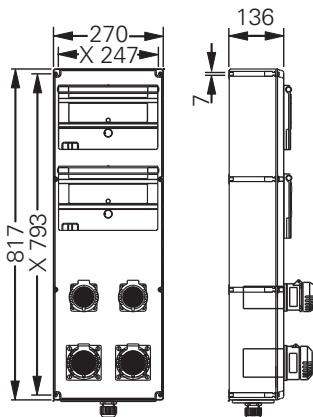
Type 3

Lighting distribution/heating circuits



Type 1

Type 2



Type 3

Socket distribution

X = fixing dimension

Dimensions in mm