

.....Dialight



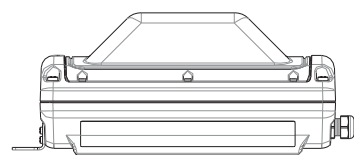
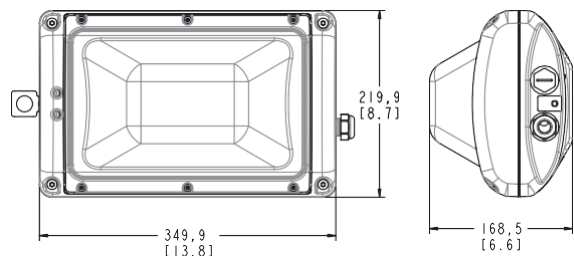
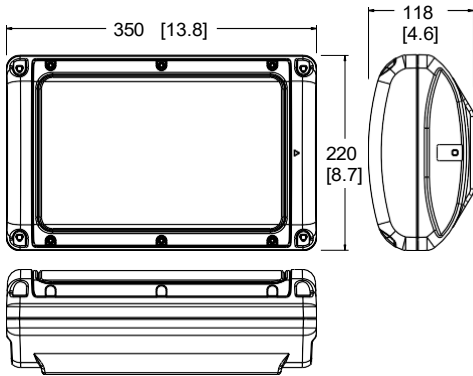
Dialight® LED Bulkhead Technical Specification Sheet - APAC

Vigilant® LED Bulkhead 100-277 VAC Model



Certifications & Ratings

- 10 year warranty
- CE / RCM
- IP66/67
- IK10
- L70 > 150,000 hours @ 65°C (149°F) ambient



Dimensions in mm (inches)

WARNING - INSTALLATION & SECONDARY RETENTION. Use of any Dialight products without proper installation (including secondary retention / netting) and periodic inspections could cause severe injury or death. Dialight recommends that all installations should use secondary retention / netting (appropriate to the installation environment) where applicable. It is the exclusive responsibility of the contractor, installer and/or end-user to: (a) determine the suitability of the product for its intended application; and, (b) ensure that the product is safely installed (with secondary retention / netting where appropriate) and in compliance with all applicable laws and regulations. To the extent permissible under applicable laws, Dialight disclaims all liability for personal injury and/or other damage resulting from any dislodgment or other dislocation of its products.

Mechanical Information:

| | |
|------------------------|----------------------------|
| Fixture weights: | |
| Standard models: | 6.8 kg (15.0 lb) |
| Battery backup models: | 7.7 kg (17.0 lb) |
| Shipping weights: | |
| Standard models: | 7.3 kg (16.1 lb) |
| Battery backup models: | 8.4 kg (18.5 lb) |
| Cable entry: | (2) M20 - optional (4) M20 |

Materials:

| | |
|-----------|--|
| Housing: | A360 Die-cast aluminium |
| Finish: | Superior dual coat finish - Sealed polyester topcoat - Epoxy primer |
| Lens: | Polycarbonate clear Polycarbonate diffused (optional) Polycarbonate domed diffused |
| Hardware: | 316 Stainless Steel |

Electrical Specifications:

| | |
|------------------------|---|
| Operating voltage: | |
| Standard models: | 100-277 VAC / 120-250 VDC |
| Battery backup models: | 110/120 VAC, 230/240 VAC |
| Operating temperature: | |
| Standard models: | -40°C to +65°C (-40°F to +149°F) |
| Battery backup models: | -20°C to +55°C (-4°F to +131°F) |
| Surge protection: | Tested to IEC 61000-4-5 6kV/3kA, 1.2/50, 8/20us Combination Wave Line-line and line-ground |
| THD: | < 18% |
| Power factor: | > 0.9 |
| Dimming: | DALI 1.0 and 2.0 0-10 VDC continuous dimming to <10% |

Battery Backup Models: (integral battery)

| | |
|---|---|
| Battery duration* (circular optic, clear lens): | |
| 6.5k lumen outputs: | 180 mins ~ 900 lm 90 mins ~ 1100 lm 60 mins ~ 1140 lm |
| 3k lumen outputs: | 180 mins ~ 800 lm 90 mins ~ 1100 lm 60 mins ~ 1140 lm |
| Expected battery life: | 4 years |

Photometric Information:

| | |
|----------------|---|
| Lumen output*: | 3,000 & 6,500 lm (white light) |
| CRI: | > 80 (white light) |
| CCT: | 5000K (cool white) 4000K (neutral white) 2700K (warm white) Amber Green |

All values typical unless otherwise stated (tolerance +/- 10%)
* @ 25°C ambient

Ordering Information

Vigilant® LED Bulkhead



| Part Number | Fixture Lumens | Wattage | lm/W | Voltage | CCT | Lens | Beam Distribution |
|--|----------------|---------|------|-------------------------|-----------------------|---------------------|---------------------|
| Standard Models with Flush Bracket | | | | | | | |
| BHE-4BN2-3NFN-VGN | 3,200 | 22 | 149 | 100-277VAC / 120-250VDC | 4000K (neutral white) | Clear Polycarbonate | Circular |
| BHE-4BN2-6NFN-VGN | 6,700 | 45 | 149 | 100-277VAC / 120-250VDC | 4000K (neutral white) | Clear Polycarbonate | Circular |
| BHE-4UN2-3NFN-VGN | 3,100 | 22 | 144 | 100-277VAC / 120-250VDC | 4000K (neutral white) | Clear Polycarbonate | Ultra-Wide (Type 1) |
| BHE-4UN2-6NFN-VGN | 6,400 | 45 | 142 | 100-277VAC / 120-250VDC | 4000K (neutral white) | Clear Polycarbonate | Ultra-Wide (Type 1) |
| BHE-4BC2-3NFN-VGN | 3,200 | 22 | 149 | 100-277VAC / 120-250VDC | 5000K (cool white) | Clear Polycarbonate | Circular |
| BHE-4BC2-6NFN-VGN | 6,700 | 45 | 149 | 100-277VAC / 120-250VDC | 5000K (cool white) | Clear Polycarbonate | Circular |
| BHE-4UC2-3NFN-VGN | 3,100 | 22 | 144 | 100-277VAC / 120-250VDC | 5000K (cool white) | Clear Polycarbonate | Ultra-Wide (Type 1) |
| BHE-4UC2-6NFN-VGN | 6,400 | 45 | 142 | 100-277VAC / 120-250VDC | 5000K (cool white) | Clear Polycarbonate | Ultra-Wide (Type 1) |
| BHE-4BA2-3NFN-VGN | 2,300 | 24 | 96 | 100-277VAC / 120-250VDC | Amber | Clear Polycarbonate | Circular |
| BHE-4BA2-5NFN-VGN | 4,200 | 46 | 91 | 100-277VAC / 120-250VDC | Amber | Clear Polycarbonate | Circular |
| Battery Backup Models with Flush Bracket | | | | | | | |
| BHE-4BNG-3NFN-VGF | 3,200 | 25 | 128 | 230-240VAC | 4000K (neutral white) | Clear Polycarbonate | Circular |
| BHE-4BNG-6NFN-VGF | 6,700 | 48 | 140 | 230-240VAC | 4000K (neutral white) | Clear Polycarbonate | Circular |
| BHE-4UNG-3NFN-VGF | 3,100 | 25 | 124 | 230-240VAC | 4000K (neutral white) | Clear Polycarbonate | Ultra-Wide (Type 1) |
| BHE-4UNG-6NFN-VGF | 6,400 | 48 | 133 | 230-240VAC | 4000K (neutral white) | Clear Polycarbonate | Ultra-Wide (Type 1) |
| BHE-4BCG-3NFN-VGF | 3,200 | 25 | 128 | 230-240VAC | 5000K (cool white) | Clear Polycarbonate | Circular |
| BHE-4BCG-6NFN-VGF | 6,700 | 48 | 140 | 230-240VAC | 5000K (cool white) | Clear Polycarbonate | Circular |
| BHE-4UCG-3NFN-VGF | 3,100 | 25 | 124 | 230-240VAC | 5000K (cool white) | Clear Polycarbonate | Ultra-Wide (Type 1) |
| BHE-4UCG-6NFN-VGF | 6,400 | 48 | 133 | 230-240VAC | 5000K (cool white) | Clear Polycarbonate | Ultra-Wide (Type 1) |
| BHE-4BAG-3NFN-VGF | 2,300 | 27 | 85 | 230-240VAC | Amber | Clear Polycarbonate | Circular |
| BHE-4BAG-5NFN-VGF | 4,200 | 49 | 86 | 230-240VAC | Amber | Clear Polycarbonate | Circular |
| BHE-6BGG-3NFN-VGG | 2,600 | 33 | 79 | 230-240VAC | Green | Domed Diffused | Circular |

All values typical unless otherwise stated (tolerance +/- 10%).
 Part numbers listed in bold are typically available in stock.
 For 2700k (warm white) CCT, please contact your local representative for more information.

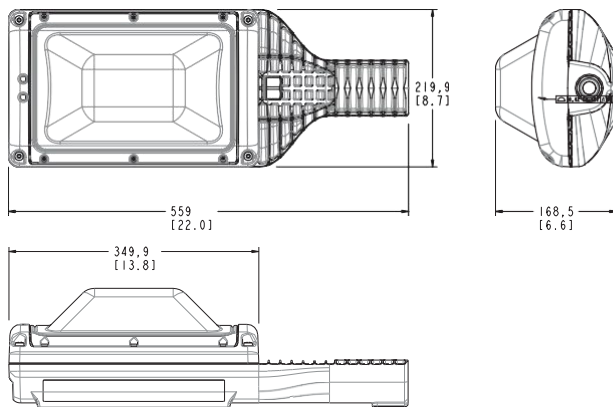
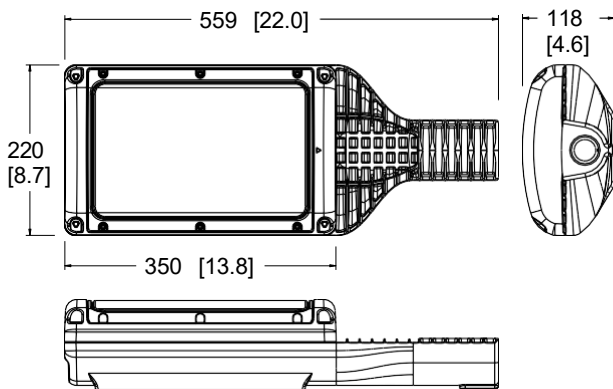
DISCLAIMER. All product information provided is, to the best of Dialight's knowledge, accurate as of the date of publication. When ordering, refer to www.dialight.com for current versions of: (a) relevant product documentation (including the relevant product data sheets); (b) Dialight terms and conditions of sale; and, (c) the relevant product warranty. To the extent that any contract is deemed formed between Dialight and the purchaser of Dialight products and/or an end-user, versions of documents available at www.dialight.com as at the date of sale shall be the versions incorporated therein. In the event of any discrepancy between this document or information provided at www.dialight.com, the latter shall prevail.

Vigilant® LED Bulkhead Pole Mount Model



Certifications & Ratings

- 10 year warranty
- CE / RCM
- IP66/67
- IK10
- L70 > 150,000 hours @ 65°C (149°F) ambient



Dimensions in mm (inches)

Mechanical Information:

| | |
|------------------------|-----------------------------|
| Fixture weights: | |
| Standard models: | 7.9 kg (17.4 lb) |
| Battery backup models: | 8.8 kg (19.4 lb) |
| Shipping weights: | |
| Standard models: | 8.4 kg (18.5 lb) |
| Battery backup models: | 9.3 kg (20.5 lb) |
| Cable entry: | (1) M25 |
| Spigot entry size: | 35mm ID optional 44mm ID |

Materials:

| | |
|-----------|--|
| Housing: | A360 Die-cast aluminium |
| Finish: | Superior dual coat finish - Sealed polyester topcoat - Epoxy primer |
| Lens: | Polycarbonate clear Polycarbonate diffused (optional) Polycarbonate domed diffused |
| Hardware: | 316 Stainless Steel |

Electrical Specifications:

| | |
|------------------------|---|
| Operating voltage: | |
| Standard models: | 100-277 VAC / 120-250 VDC |
| Battery backup models: | 110/120 VAC, 230/240 VAC |
| Operating temperature: | |
| Standard models: | -40°C to +65°C (-40°F to +149°F) |
| Battery backup models: | -20°C to +55°C (-4°F to +131°F) |
| Surge protection: | Tested to IEC 61000-4-5 6kV/3kA, 1.2/50, 8/20us Combination Wave Line-line and line-ground |
| THD: | < 18% |
| Power factor: | > 0.9 |
| Dimming: | DALI 1.0 and 2.0 0-10 VDC continuous dimming to <10% |

Battery Backup Models: (integral battery)

| | |
|---|---|
| Battery duration* (circular optic, clear lens): | |
| 6.5k lumen outputs: | 180 mins ~ 900 lm 90 mins ~ 1100 lm 60 mins ~ 1140 lm |
| 3k lumen outputs: | 180 mins ~ 800 lm 90 mins ~ 1100 lm 60 mins ~ 1140 lm |

Expected battery life: 4 years

Photometric Information:

| | |
|----------------|---|
| Lumen output*: | 3,000 & 6,500 lm (white light) |
| CRI: | > 80 (white light) |
| CCT: | 5000K (cool white) 4000K (neutral white) 2700K (warm white) Amber Green |

All values typical unless otherwise stated (tolerance +/- 10%)
* @ 25°C ambient

WARNING - INSTALLATION & SECONDARY RETENTION. Use of any Dialight products without proper installation (including secondary retention / netting) and periodic inspections could cause severe injury or death. Dialight recommends that all installations should use secondary retention / netting (appropriate to the installation environment) where applicable. It is the exclusive responsibility of the contractor, installer and/or end-user to: (a) determine the suitability of the product for its intended application; and, (b) ensure that the product is safely installed (with secondary retention / netting where appropriate) and in compliance with all applicable laws and regulations. To the extent permissible under applicable laws, Dialight disclaims all liability for personal injury and/or other damage resulting from any dislodgment or other dislocation of its products.

Ordering Information

Vigilant® LED Bulkhead - Pole Mount Model



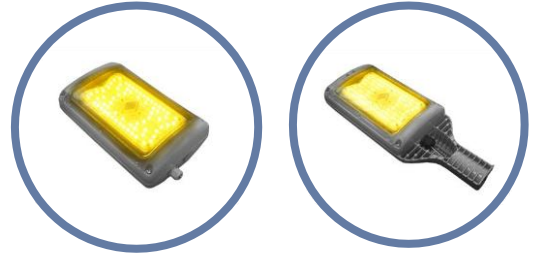
| Part Number | Fixture Lumens | Wattage | lm/W | Voltage | CCT | Lens | Beam Distribution |
|---|----------------|---------|------|-------------------------|-------|---------------------|---------------------|
| Pole Mount Models | | | | | | | |
| BPE-4BN2-3NNN-VGN | 3,200 | 22 | 149 | 100-277VAC / 120-250VDC | 4000K | Clear Polycarbonate | Circular |
| BPE-4BN2-6NNN-VGN | 6,700 | 45 | 149 | 100-277VAC / 120-250VDC | 4000K | Clear Polycarbonate | Circular |
| BPE-4UN2-3NNN-VGN | 3,100 | 22 | 144 | 100-277VAC / 120-250VDC | 4000K | Clear Polycarbonate | Ultra-Wide (Type 1) |
| BPE-4UN2-6NNN-VGN | 6,400 | 45 | 142 | 100-277VAC / 120-250VDC | 4000K | Clear Polycarbonate | Ultra-Wide (Type 1) |
| BPE-4BC2-3NNN-VGN | 3,200 | 22 | 149 | 100-277VAC / 120-250VDC | 5000K | Clear Polycarbonate | Circular |
| BPE-4BC2-6NNN-VGN | 6,700 | 45 | 149 | 100-277VAC / 120-250VDC | 5000K | Clear Polycarbonate | Circular |
| BPE-4UC2-3NNN-VGN | 3,100 | 22 | 144 | 100-277VAC / 120-250VDC | 5000K | Clear Polycarbonate | Ultra-Wide (Type 1) |
| BPE-4UC2-6NNN-VGN | 6,400 | 45 | 142 | 100-277VAC / 120-250VDC | 5000K | Clear Polycarbonate | Ultra-Wide (Type 1) |
| BPE-4BA2-3NNN-VGN | 2,300 | 24 | 96 | 100-277VAC / 120-250VDC | Amber | Clear Polycarbonate | Circular |
| BPE-4BA2-5NNN-VGN | 4,200 | 46 | 91 | 100-277VAC / 120-250VDC | Amber | Clear Polycarbonate | Circular |
| BPE-4UA2-3NNN-VGN | 2,100 | 24 | 88 | 100-277VAC / 120-250VDC | Amber | Clear Polycarbonate | Ultra-Wide (Type 1) |
| BPE-4UA2-5NNN-VGN | 3,900 | 46 | 85 | 100-277VAC / 120-250VDC | Amber | Clear Polycarbonate | Ultra-Wide (Type 1) |
| Pole Mount Battery Backup Models | | | | | | | |
| BPE-4BNG-3NNN-VGF | 3,200 | 25 | 128 | 230-240VAC | 4000K | Clear Polycarbonate | Circular |
| BPE-4BNG-6NNN-VGF | 6,700 | 48 | 140 | 230-240VAC | 4000K | Clear Polycarbonate | Circular |
| BPE-4UNG-3NNN-VGF | 3,100 | 25 | 124 | 230-240VAC | 4000K | Clear Polycarbonate | Ultra-Wide (Type 1) |
| BPE-4UNG-6NNN-VGF | 6,400 | 48 | 133 | 230-240VAC | 4000K | Clear Polycarbonate | Ultra-Wide (Type 1) |
| BPE-4BCG-3NNN-VGF | 3,200 | 25 | 128 | 230-240VAC | 5000K | Clear Polycarbonate | Circular |
| BPE-4BCG-6NNN-VGF | 6,700 | 48 | 140 | 230-240VAC | 5000K | Clear Polycarbonate | Circular |
| BPE-4UCG-3NNN-VGF | 3,100 | 25 | 124 | 230-240VAC | 5000K | Clear Polycarbonate | Ultra-Wide (Type 1) |
| BPE-4UCG-6NNN-VGF | 6,400 | 48 | 133 | 230-240VAC | 5000K | Clear Polycarbonate | Ultra-Wide (Type 1) |
| BPE-4BAG-3NNN-VGF | 2,300 | 27 | 85 | 230-240VAC | Amber | Clear Polycarbonate | Circular |
| BPE-4BAG-5NNN-VGF | 4,200 | 49 | 86 | 230-240VAC | Amber | Clear Polycarbonate | Circular |
| BPE-4UAG-3NNN-VGF | 2,100 | 27 | 78 | 230-240VAC | Amber | Clear Polycarbonate | Ultra-Wide (Type 1) |
| BPE-4UAG-5NNN-VGF | 3,900 | 49 | 80 | 230-240VAC | Amber | Clear Polycarbonate | Ultra-Wide (Type 1) |
| BPE-6BGG-3NNN-VGG | 2,600 | 33 | 79 | 230-240VAC | Green | Domed Diffused | Circular |

All values typical unless otherwise stated (tolerance +/- 10%).
 Part numbers listed in bold are typically available in stock.
 For 2700k (warm white) CCT, please contact your local representative for more information.
 44mm spigot entry models available.

DISCLAIMER. All product information provided is, to the best of Dialight's knowledge, accurate as of the date of publication. When ordering, refer to www.dialight.com for current versions of: (a) relevant product documentation (including the relevant product data sheets); (b) Dialight terms and conditions of sale; and, (c) the relevant product warranty. To the extent that any contract is deemed formed between Dialight and the purchaser of Dialight products and/or an end-user, versions of documents available at www.dialight.com as at the date of sale shall be the versions incorporated therein. In the event of any discrepancy between this document or information provided at www.dialight.com, the latter shall prevail.

Ordering Information

Vigilant® LED Bulkhead - Amber - (RCM)

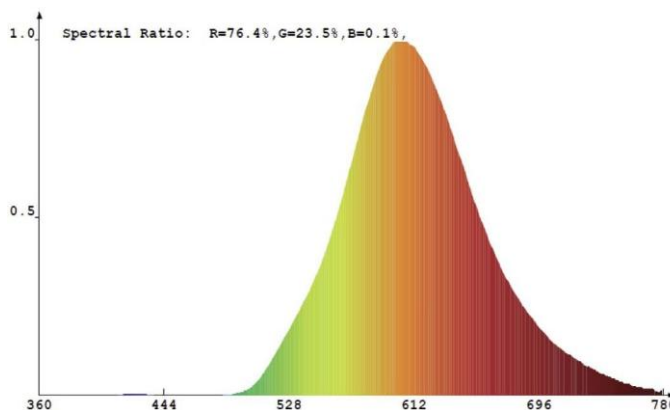


Australia

| Part Number | Fixture Lumens | Wattage | lm/W | Voltage | CCT | Lens | Beam Distribution |
|---|----------------|---------|------|---------------------------|-------|---------------------|---------------------|
| Standard Models with Flush Bracket | | | | | | | |
| BHE-4BA2-3NFN-VGN | 2,300 | 24 | 96 | 100-277 VAC / 120-250 VDC | Amber | Clear Polycarbonate | Circular |
| BHE-4BA2-5NFN-VGN | 4,200 | 46 | 91 | 100-277 VAC / 120-250 VDC | Amber | Clear Polycarbonate | Circular |
| Battery Backup Models with Flush Bracket | | | | | | | |
| BHE-4BAG-3NFN-VGF | 2,300 | 27 | 85 | 230/240 VAC | Amber | Clear Polycarbonate | Circular |
| BHE-4BAG-5NFN-VGF | 4,200 | 49 | 86 | 230/240 VAC | Amber | Clear Polycarbonate | Circular |
| Pole Mount Models | | | | | | | |
| BPE-4BA2-3NNN-VGN | 2,300 | 24 | 96 | 100-277 VAC / 120-250 VDC | Amber | Clear Polycarbonate | Circular |
| BPE-4BA2-5NNN-VGN | 4,200 | 46 | 91 | 100-277 VAC / 120-250 VDC | Amber | Clear Polycarbonate | Circular |
| BPE-4UA2-3NNN-VGN | 2,100 | 24 | 88 | 100-277 VAC / 120-250 VDC | Amber | Clear Polycarbonate | Ultra-Wide (Type 1) |
| BPE-4UA2-5NNN-VGN | 3,900 | 46 | 85 | 100-277 VAC / 120-250 VDC | Amber | Clear Polycarbonate | Ultra-Wide (Type 1) |
| Pole Mount Battery Backup Models | | | | | | | |
| BPE-4BAG3-NNN-VGF | 2,300 | 27 | 85 | 230/240 VAC | Amber | Clear Polycarbonate | Circular |
| BPE-4BAG-5NNN-VGF | 4,200 | 49 | 86 | 230/240 VAC | Amber | Clear Polycarbonate | Circular |
| BPE-4UAG-3NNN-VGF | 2,100 | 27 | 78 | 230/240 VAC | Amber | Clear Polycarbonate | Ultra-Wide (Type 1) |
| BPE-4UAG-5NNN-VGF | 3,900 | 49 | 80 | 230/240 VAC | Amber | Clear Polycarbonate | Ultra-Wide (Type 1) |

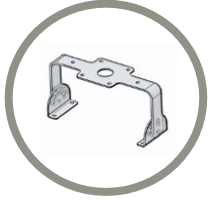
All values typical unless otherwise stated (tolerance +/- 10%). Part numbers listed in bold are typically available in stock.

Spectral Power Distribution

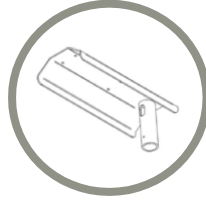


DISCLAIMER. All product information provided is, to the best of Dialight's knowledge, accurate as of the date of publication. When ordering, refer to www.dialight.com for current versions of: (a) relevant product documentation (including the relevant product data sheets); (b) Dialight terms and conditions of sale; and, (c) the relevant product warranty. To the extent that any contract is deemed formed between Dialight and the purchaser of Dialight products and/or an end-user, versions of documents available at www.dialight.com as at the date of sale shall be the versions incorporated therein. In the event of any discrepancy between this document or information provided at www.dialight.com, the latter shall prevail.

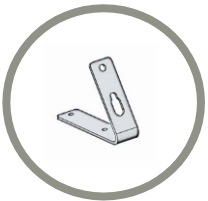
Accessories



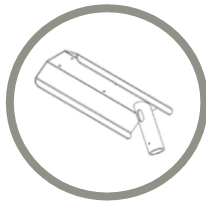
BH-BRKT-SS-ADJ
 • 316 stainless steel adjustable bracket kit



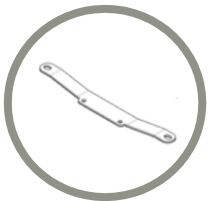
BH-STMB-05-10-HD
 • Aluminium stanchion mount, 5° up-tilt - 50mm pole



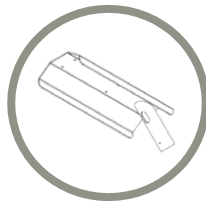
BH-BRKT-A-KIT
 • 316 stainless steel wall/ceiling flush mount bracket kit



BH-STMB-25-10-HD
 • Aluminium stanchion mount, 25° up-tilt - 50mm pole



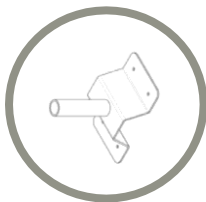
BH-BRKT-F-KIT
 • 316 stainless steel wall/ceiling flush mount bracket kit



BH-STMB-45-10-HD
 • Aluminium stanchion mount, 45° up-tilt - 50mm pole



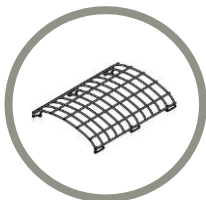
BH-BRKT-LG-PF
 • Aluminium pipe mount bracket kit - 50mm



HZX-SPIGOT-34
 • Aluminium wall mount spigot plate - 34mm

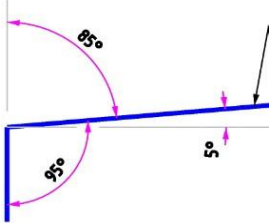


H6XCAB72
 • 72" stainless steel safety rope



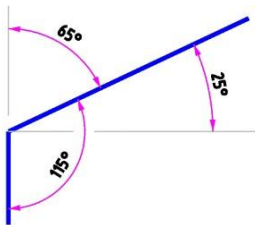
BH-WG-KIT
 • Stainless steel wire guard kit

Accessories



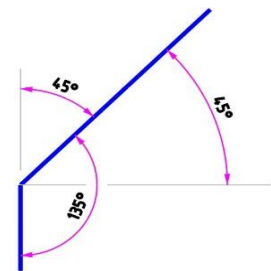
BH-LPLATE-05

- Bracket to structure mount Bulkhead models 5° up-tilt



BH-LPLATE-25

- Bracket to structure mount Bulkhead models 25° up-tilt



BH-LPLATE-45

- Bracket to structure mount Bulkhead models 45° up-tilt

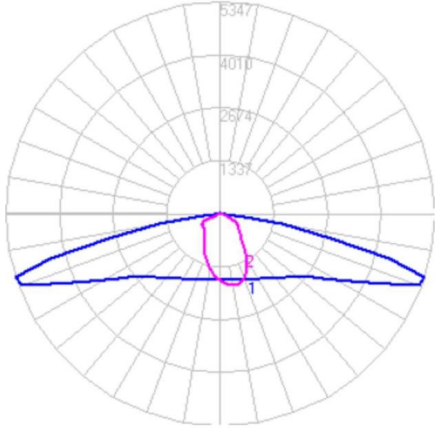
BH-LPLATE EXAMPLES



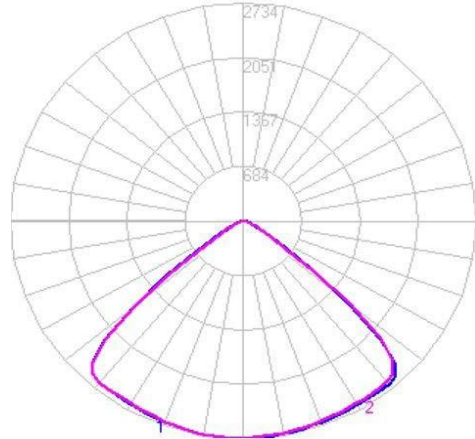
DISCLAIMER. All product information provided is, to the best of Dialight's knowledge, accurate as of the date of publication. When ordering, refer to www.dialight.com for current versions of: (a) relevant product documentation (including the relevant product data sheets); (b) Dialight terms and conditions of sale; and, (c) the relevant product warranty. To the extent that any contract is deemed formed between Dialight and the purchaser of Dialight products and/or an end-user, versions of documents available at www.dialight.com as at the date of sale shall be the versions incorporated therein. In the event of any discrepancy between this document or information provided at www.dialight.com, the latter shall prevail.

Beam Distribution

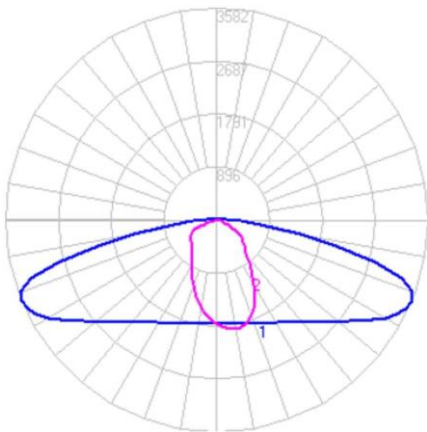
Ultra-Wide Walkway (Type 1) - Clear



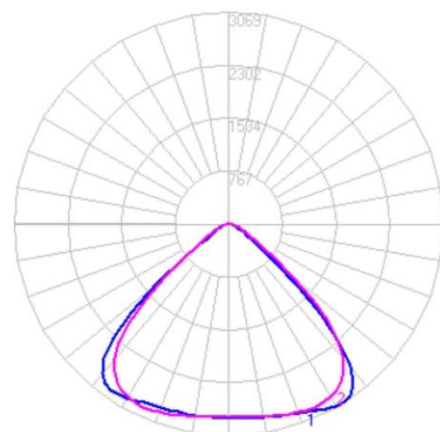
Circular - Clear



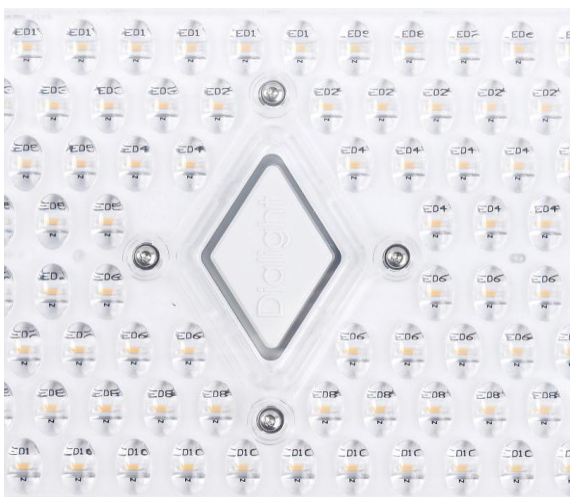
Ultra-Wide Walkway (Type 1) - Diffused



Circular - Diffused



Ultra-Wide Walkway (Type 1) - Clear



Circular - Clear



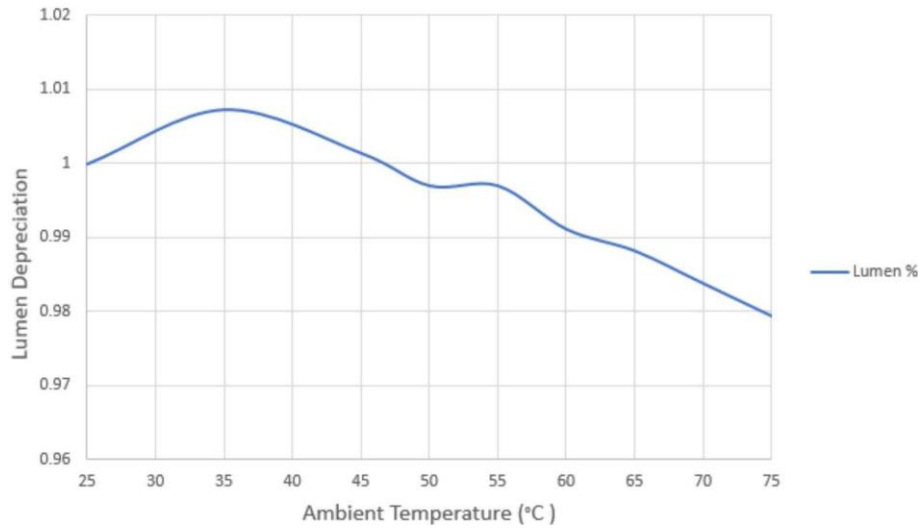
DISCLAIMER. All product information provided is, to the best of Dialight's knowledge, accurate as of the date of publication. When ordering, refer to www.dialight.com for current versions of: (a) relevant product documentation (including the relevant product data sheets); (b) Dialight terms and conditions of sale; and, (c) the relevant product warranty. To the extent that any contract is deemed formed between Dialight and the purchaser of Dialight products and/or an end-user, versions of documents available at www.dialight.com as at the date of sale shall be the versions incorporated therein. In the event of any discrepancy between this document or information provided at www.dialight.com, the latter shall prevail.

Emergency Sign Options

| | Part Number | Description | Kit Includes |
|--|-----------------|-----------------------------|---|
|  | BH-LM-FE-TUM | Fire exit, man, arrow up | Emergency sign Sign bracket Mounting hardware |
|  | BH-LM-FE-TRM | Fire exit, man, arrow right | Emergency sign Sign bracket Mounting hardware |
|  | BH-LM-FE-TLM | Fire exit, man, arrow left | Emergency sign Sign bracket Mounting hardware |
|  | BH-LM-FE-TDM | Fire exit, man, arrow down | Emergency sign Sign bracket Mounting hardware |
|  | BH-LM-FE-TRM-AU | Man, arrow right | Emergency sign Sign bracket Mounting hardware |
|  | BH-LM-FE-TLM-AU | Man, arrow left | Emergency sign Sign bracket Mounting hardware |
|  | BH-LM-FE-LM-AU | Man left | Emergency sign Sign bracket Mounting hardware |
|  | BH-LM-FE-RM-AU | Man right | Emergency sign Sign bracket Mounting hardware |

DISCLAIMER. All product information provided is, to the best of Dialight's knowledge, accurate as of the date of publication. When ordering, refer to www.dialight.com for current versions of: (a) relevant product documentation (including the relevant product data sheets); (b) Dialight terms and conditions of sale; and, (c) the relevant product warranty. To the extent that any contract is deemed formed between Dialight and the purchaser of Dialight products and/or an end-user, versions of documents available at www.dialight.com as at the date of sale shall be the versions incorporated therein. In the event of any discrepancy between this document or information provided at www.dialight.com, the latter shall prevail.

Thermal Roll-Off



Inrush Current / Circuit Breakers

| Output | In rush (A) current @ input voltage | | | | | | | |
|--------|-------------------------------------|---------------|---------|---------------|---------|---------------|---------|---------------|
| | 100 VAC | Duration (MS) | 120 VAC | Duration (MS) | 230 VAC | Duration (MS) | 277 VAC | Duration (MS) |
| 6,500 | 6 | 0.6 | 8 | 0.6 | 15 | 0.6 | 18 | 0.6 |
| 3,000 | 6 | 0.6 | 8 | 0.6 | 15 | 0.6 | 18 | 0.6 |

| Output | GND Leakage (mA) input voltage | | | |
|--------|--------------------------------|---------|---------|---------|
| | 100 VAC | 120 VAC | 230 VAC | 277 VAC |
| 6,500 | 0.5 | 0.5 | 0.8 | 1.0 |
| 3,000 | 0.5 | 0.5 | 0.8 | 1.0 |

DISCLAIMER. All product information provided is, to the best of Dialight's knowledge, accurate as of the date of publication. When ordering, refer to www.dialight.com for current versions of: (a) relevant product documentation (including the relevant product data sheets); (b) Dialight terms and conditions of sale; and, (c) the relevant product warranty. To the extent that any contract is deemed formed between Dialight and the purchaser of Dialight products and/or an end-user, versions of documents available at www.dialight.com as at the date of sale shall be the versions incorporated therein. In the event of any discrepancy between this document or information provided at www.dialight.com, the latter shall prevail.

Lumen Maintenance Factor

| Vigilant Bulkhead 6,500lm | | | | | | | | |
|---------------------------|-------|-------|-------|-------|-------|-------|-------|--------|
| Ambient Temperature | Hours | | | | | | | |
| | 0 | 15000 | 30000 | 45000 | 60000 | 75000 | 90000 | 100000 |
| 25°C | 100% | 98% | 96% | 95% | 93% | 92% | 90% | 90% |
| 30°C | 100% | 98% | 96% | 95% | 93% | 92% | 90% | 90% |
| 35°C | 100% | 98% | 96% | 95% | 93% | 92% | 90% | 90% |
| 40°C | 100% | 98% | 96% | 95% | 93% | 92% | 90% | 90% |
| 45°C | 100% | 98% | 96% | 95% | 93% | 92% | 90% | 90% |
| 50°C | 100% | 97% | 96% | 95% | 93% | 92% | 90% | 89% |
| 55°C | 100% | 97% | 96% | 95% | 93% | 92% | 90% | 89% |
| 60°C | 99% | 97% | 95% | 94% | 93% | 91% | 90% | 89% |
| 65°C | 99% | 97% | 95% | 94% | 92% | 91% | 89% | 89% |

Based on 9,000 hour LM80 data

| Vigilant Bulkhead 3,000lm | | | | | | | | |
|---------------------------|-------|-------|-------|-------|-------|-------|-------|--------|
| Ambient Temperature | Hours | | | | | | | |
| | 0 | 15000 | 30000 | 45000 | 60000 | 75000 | 90000 | 100000 |
| 25°C | 100% | 98% | 96% | 95% | 93% | 92% | 90% | 90% |
| 30°C | 100% | 98% | 96% | 95% | 93% | 92% | 90% | 90% |
| 35°C | 100% | 98% | 96% | 95% | 93% | 92% | 90% | 90% |
| 40°C | 100% | 98% | 96% | 95% | 93% | 92% | 90% | 90% |
| 45°C | 100% | 98% | 96% | 95% | 93% | 92% | 90% | 90% |
| 50°C | 100% | 97% | 96% | 95% | 93% | 92% | 90% | 89% |
| 55°C | 100% | 97% | 96% | 95% | 93% | 92% | 90% | 89% |
| 60°C | 99% | 97% | 95% | 94% | 93% | 91% | 90% | 89% |
| 65°C | 99% | 97% | 95% | 94% | 92% | 91% | 89% | 89% |

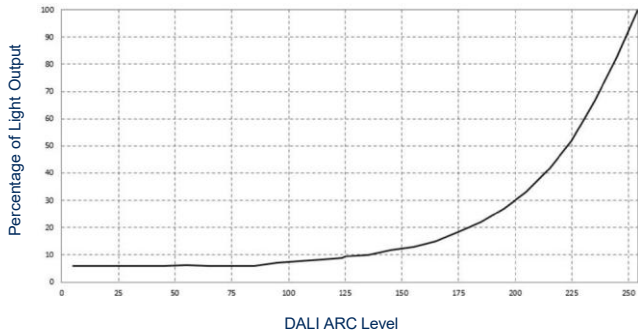
Based on 9,000 hour LM80 data

DISCLAIMER. All product information provided is, to the best of Dialight's knowledge, accurate as of the date of publication. When ordering, refer to www.dialight.com for current versions of: (a) relevant product documentation (including the relevant product data sheets); (b) Dialight terms and conditions of sale; and, (c) the relevant product warranty. To the extent that any contract is deemed formed between Dialight and the purchaser of Dialight products and/or an end-user, versions of documents available at www.dialight.com as at the date of sale shall be the versions incorporated therein. In the event of any discrepancy between this document or information provided at www.dialight.com, the latter shall prevail.

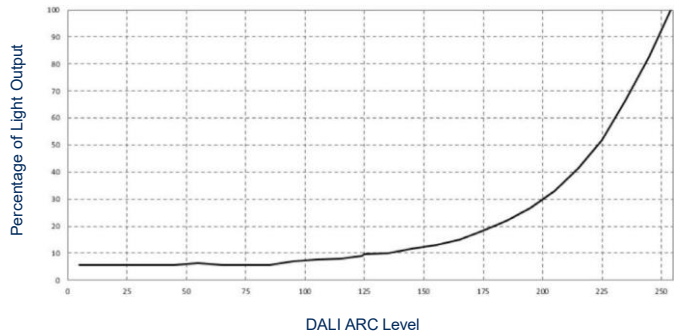
Dimming Curves

DALI Dimming

6,500lm

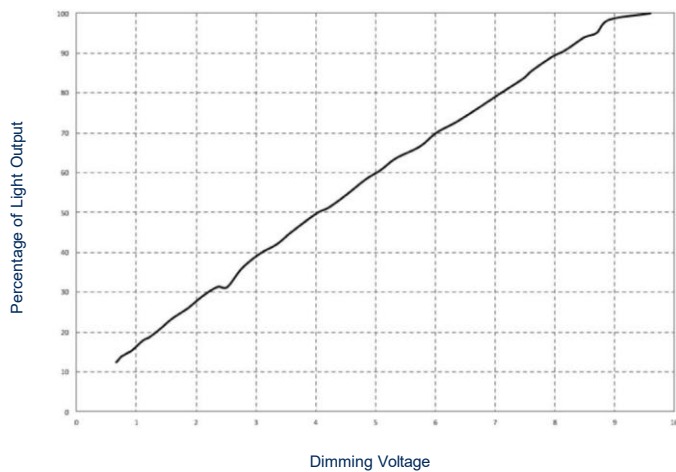


3,000lm

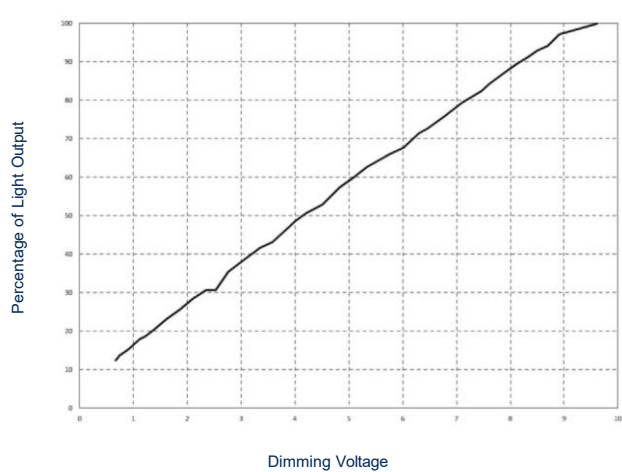


0-10V Dimming

6,500lm



3,000lm



DISCLAIMER. All product information provided is, to the best of Dialight's knowledge, accurate as of the date of publication. When ordering, refer to www.dialight.com for current versions of: (a) relevant product documentation (including the relevant product data sheets); (b) Dialight terms and conditions of sale; and, (c) the relevant product warranty. To the extent that any contract is deemed formed between Dialight and the purchaser of Dialight products and/or an end-user, versions of documents available at www.dialight.com as at the date of sale shall be the versions incorporated therein. In the event of any discrepancy between this document or information provided at www.dialight.com, the latter shall prevail.

Australia

108 Howe Street
Osborne Park, WA 6017
Tel: +61 (0) 8 9244 7600
Fax: +61 (0) 8 9244 7601
info@dialight.com.au

Southeast Asia

33 Ubi Avenue 3
#07-72 Vertex (Tower A)
Singapore 408868
Tel: +65 6578 7157
Fax: +65 6578 7150
enquiry@dialight.com.sg

WARNING / DISCLAIMERS:

Installation & secondary retention. The use of this product without proper installation (including secondary retention / netting) and periodic inspections, could cause severe injury or death. Dialight recommends that all installations should use secondary retention / netting (appropriate to the installation environment) as applicable. Dialight products are intended for ultimate purchase, installation and operation by knowledgeable persons trained in the functional assessment, installation, use and maintenance of such products and all customers (including but not limited to end customers) are responsible for assessing the suitability of Dialight products for any given installation requirement. It is the exclusive responsibility of the contractor, installer and/or end-user to: (a) determine the suitability of the product for its intended application; and, (b) ensure that the product is safely installed (with secondary retention / netting as appropriate) and in compliance with all applicable laws and regulations.

Product specifications & warranties. All product information provided is, to the best of Dialight's knowledge, accurate as of the date of publication. All values and performance data herein are design or typical values when measured under laboratory conditions. The information herein is subject to change without notice. The products / software detailed herein are subject to applicable warranties and terms and conditions of use/purchase. Unless agreed otherwise in writing by an authorized representative of Dialight, Dialight does not represent that its products are fit for any particular purpose and accepts no liability for the installation and/or unauthorised use of its products. When ordering, refer to www.dialight.com for current versions of: (a) relevant product documentation (including relevant product data sheets); (b) Dialight terms and conditions of sale; and, (c) the relevant product warranties. To the extent that any contract is deemed formed between Dialight and the purchaser of Dialight products and/or an end-user, versions of documents available at www.dialight.com as at the date of sale shall be the versions incorporated therein. In the event of any discrepancy between this document and information provided at www.dialight.com, the latter shall prevail.

Exclusion of liability. To the extent permissible under the relevant law, Dialight disclaims all liability for personal injury and/or other damage resulting from any dislodgment or other dislocation of its products. Whilst Dialight has used its reasonable endeavours to ensure the completeness and accuracy of information herein, Dialight does not assume any liability for damages resulting from use of this information or for any third-party representations made in relation to Dialight products.



Dialight® LED Area Light

Technical Specification Sheet - CE

Vigilant® LED Area Light

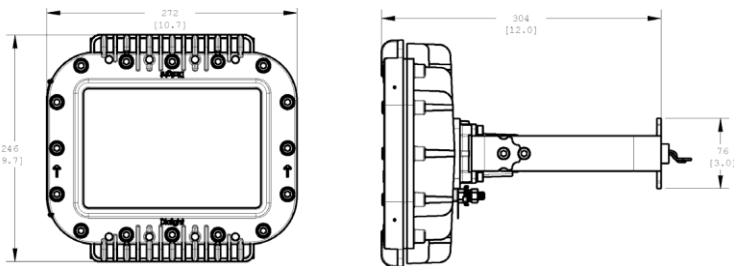
100-277 VAC, 120-250 VDC



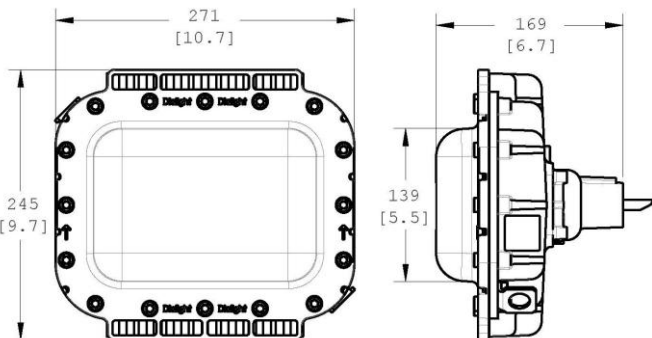
Certifications & Ratings*

- 10-year warranty
- CE
- ENEC
- RCM
- IP66 / 67
- D-marked
- *ETL listed
- EN 60598-1: 2015
- EN 60598-2-1: 1989
- EN 60598-2-24: 2013
- EN 62471: 2008

Tempered Glass Lens



Polycarbonate Lens



Dimensions in mm [inches]

Mechanical Information:

| | |
|---------------------------|---|
| Fixture weight: | |
| Adjustable bracket models | 5.2 kg (11.5 lbs) - Polycarbonate lens 6.2 kg (13.7 lbs) - Tempered glass lens |
| Wall mount models: | 6.8 kg (15 lbs) - Polycarbonate lens 8.2 kg (18 lbs) - Tempered glass lens |
| 45° wall mount models: | 6.4 kg (14 lbs) - Polycarbonate lens 7.8 kg (17 lbs) - Tempered glass lens |
| 45° stanchion mount: | 6.7 kg (15 lbs) - Polycarbonate lens 8.1 kg (18 lbs) - Tempered glass lens |
| 34mm conveyor mount: | 6.7 kg (15 lbs) - Polycarbonate lens 8.1 kg (18 lbs) - Tempered glass lens |

| | |
|------------------|---|
| Shipping weight: | Add 0.91 kg (2 lbs) to weights above |
| Impact rating: | IK10 - Polycarbonate lens IK07 - Tempered glass lens |

Electrical Specifications:

| | |
|------------------------|---|
| Operating voltage: | 100-277 VAC 50/60Hz, 120-250 VDC |
| Operating temperature: | -40°C to +65°C (-40°F to +149°F) |
| EMC: | EN 62493: 2015, EN 61547: 2009, EN 61000-3-2: 2015, EN 61000-3-3: 2013 |
| Transient protection: | 6 kV / 3kA combination wave, as per IEEE C62.41, line-line and line-ground |
| Harmonics: | IEC 61000-3-2, Class C |
| THD: | < 20% |
| Power factor: | > 0.9 |

Construction:

| | |
|-----------------------|--|
| Housing: | Copper free aluminum |
| Finish: | Superior dual coat finish - Sealed polyester topcoat - Chemical-resistant epoxy primer |
| Corrosion resistance: | 3,000-hour salt spray per ASTM B117 |
| Lens ¹ : | Hard-coated polycarbonate Tempered glass |

Photometric Information:

| | |
|---------|---|
| CRI: | 80 |
| CCT: | 5000K (cool white) 4000K (neutral white) 2700K (warm white) |
| Optics: | 180° 360° Wide for 0° mounting |

All values typical unless otherwise stated (tolerance +/- 10%)

Vigilant® LED Area Light

100-277 VAC, 120-250 VDC



EMEA

| Ordering Information - CE | | | | | | | | | | | |
|---------------------------|---------------|---------------|-------------------|-------|-----|--------|---------|------|-------------------------------------|-----------------------|------------------------|
| Part Number | Certification | Lens Material | Beam Distribution | CCT | CRI | Lumens | Wattage | Lm/W | Mounting Options | Hardware Accessories | Electrical Accessories |
| ALE7BC24DBUMGN | CE / ENEC | Glass | 360° | 5000K | 80 | 4,200 | 30 | 140 | 316 stainless steel locking bracket | 3M, 5 conductor cable | Cable gland |
| ALE5BC24DBUMGN | CE / ENEC | Polycarbonate | 360° | 5000K | 80 | 3,900 | 30 | 130 | 316 stainless steel locking bracket | 3M, 5 conductor cable | Cable gland |
| ALE7AC24DBUMGN | CE / ENEC | Glass | 180° (oval) | 5000K | 80 | 4,100 | 30 | 137 | 316 stainless steel locking bracket | 3M, 5 conductor cable | Cable gland |
| ALE5AC24DBUMGN | CE / ENEC | Polycarbonate | 180° (oval) | 5000K | 80 | 3,800 | 30 | 127 | 316 stainless steel locking bracket | 3M, 5 conductor cable | Cable gland |
| ALE7BC26DBUMGN | CE / ENEC | Glass | 360° | 5000K | 80 | 5,700 | 40 | 143 | 316 stainless steel locking bracket | 3M, 5 conductor cable | Cable gland |
| ALE5BC26DBUMGN | CE / ENEC | Polycarbonate | 360° | 5000K | 80 | 5,300 | 40 | 133 | 316 stainless steel locking bracket | 3M, 5 conductor cable | Cable gland |
| ALE7AC26DBUMGN | CE / ENEC | Glass | 180° (oval) | 5000K | 80 | 5,500 | 40 | 138 | 316 stainless steel locking bracket | 3M, 5 conductor cable | Cable gland |
| ALE5AC26DBUMGN | CE / ENEC | Polycarbonate | 180° (oval) | 5000K | 80 | 5,100 | 40 | 128 | 316 stainless steel locking bracket | 3M, 5 conductor cable | Cable gland |
| ALE7BC29DBUMGN | CE / ENEC | Glass | 360° | 5000K | 80 | 9,000 | 66 | 136 | 316 stainless steel locking bracket | 3M, 5 conductor cable | Cable gland |
| ALE5BC29DBUMGN | CE / ENEC | Polycarbonate | 360° | 5000K | 80 | 8,300 | 66 | 126 | 316 stainless steel locking bracket | 3M, 5 conductor cable | Cable gland |
| ALE7AC29DBUMGN | CE / ENEC | Glass | 180° (oval) | 5000K | 80 | 8,800 | 66 | 133 | 316 stainless steel locking bracket | 3M, 5 conductor cable | Cable gland |
| ALE5AC29DBUMGN | CE / ENEC | Polycarbonate | 180° (oval) | 5000K | 80 | 8,100 | 66 | 123 | 316 stainless steel locking bracket | 3M, 5 conductor cable | Cable gland |

| Ordering Information - CE with Junction Box | | | | | | | | | | | |
|---|---------------|---------------|-------------------|-------|-----|--------|---------|------|-------------------------------------|----------------------|---------------------------------|
| Part Number | Certification | Lens Material | Beam Distribution | CCT | CRI | Lumens | Wattage | Lm/W | Mounting Options | Hardware Accessories | Electrical Accessories |
| ALE7BC24DBJUGN | CE / ENEC | Glass | 360° | 5000K | 80 | 4,200 | 30 | 140 | 316 stainless steel locking bracket | Junction box | 5 pos, push down terminal block |
| ALE5BC24DBJUGN | CE / ENEC | Polycarbonate | 360° | 5000K | 80 | 3,900 | 30 | 130 | 316 stainless steel locking bracket | Junction box | 5 pos, push down terminal block |
| ALE7AC24DBJUGN | CE / ENEC | Glass | 180° (oval) | 5000K | 80 | 4,100 | 30 | 137 | 316 stainless steel locking bracket | Junction box | 5 pos, push down terminal block |
| ALE5AC24DBJUGN | CE / ENEC | Polycarbonate | 180° (oval) | 5000K | 80 | 3,800 | 30 | 127 | 316 stainless steel locking bracket | Junction box | 5 pos, push down terminal block |
| ALE7BC26DBJUGN | CE / ENEC | Glass | 360° | 5000K | 80 | 5,700 | 40 | 143 | 316 stainless steel locking bracket | Junction box | 5 pos, push down terminal block |
| ALE5BC26DBJUGN | CE / ENEC | Polycarbonate | 360° | 5000K | 80 | 5,300 | 40 | 133 | 316 stainless steel locking bracket | Junction box | 5 pos, push down terminal block |
| ALE7AC26DBJUGN | CE / ENEC | Glass | 180° (oval) | 5000K | 80 | 5,500 | 40 | 138 | 316 stainless steel locking bracket | Junction box | 5 pos, push down terminal block |
| ALE5AC26DBJUGN | CE / ENEC | Polycarbonate | 180° (oval) | 5000K | 80 | 5,100 | 40 | 128 | 316 stainless steel locking bracket | Junction box | 5 pos, push down terminal block |
| ALE7BC29DBJUGN | CE / ENEC | Glass | 360° | 5000K | 80 | 9,000 | 66 | 136 | 316 stainless steel locking bracket | Junction box | 5 pos, push down terminal block |
| ALE5BC29DBJUGN | CE / ENEC | Polycarbonate | 360° | 5000K | 80 | 8,300 | 66 | 126 | 316 stainless steel locking bracket | Junction box | 5 pos, push down terminal block |
| ALE7AC29DBJUGN | CE / ENEC | Glass | 180° (oval) | 5000K | 80 | 8,800 | 66 | 133 | 316 stainless steel locking bracket | Junction box | 5 pos, push down terminal block |
| ALE5AC29DBJUGN | CE / ENEC | Polycarbonate | 180° (oval) | 5000K | 80 | 8,100 | 66 | 123 | 316 stainless steel locking bracket | Junction box | 5 pos, push down terminal block |

Vigilant® LED Area Light

100-277 VAC, 120-250 VDC



APAC

| Ordering Information | | | | | | | | | | | |
|----------------------|---------------|---------------|-------------------|-------|-----|--------|---------|------|---------------------------------|---------------------------|------------------------|
| Part Number | Certification | Lens Material | Beam Distribution | CCT | CRI | Lumens | Wattage | Lm/W | Mounting Options | Hardware Accessories | Electrical Accessories |
| ALE5WC27DYNVGN | CE | Polycarbonate | Conveyor | 5000K | 80 | 6,700 | 64 | 105 | 34mm conveyor mount | Screw down terminal block | Cable gland |
| ALE5AC26DBWMGN | CE | Polycarbonate | 180° (oval) | 5000K | 80 | 5,100 | 40 | 128 | Stainless steel locking bracket | 3M power cable | Cable gland |
| ALE5BC26DBWMGN | CE | Polycarbonate | 360° | 5000K | 80 | 5,300 | 40 | 133 | Stainless steel locking bracket | 3M power cable | Cable gland |
| ALE5BC26DWNVGN | CE | Polycarbonate | 360° | 5000K | 80 | 5,300 | 40 | 133 | Wall mount 45° (M25) | Screw down terminal block | |
| ALE5BC26DSNVGN | CE | Polycarbonate | 360° | 5000K | 80 | 5,300 | 40 | 133 | Wall mount 45° (M25) | Screw down terminal block | |
| ALU5BC26DNWNGN | UL | Polycarbonate | 360° | 5000K | 80 | 5,300 | 40 | 133 | 3/4" conduit entrie | 3M power cable | |
| ALU5BC24DNWNGN | UL | Polycarbonate | 360° | 5000K | 80 | 3,900 | 30 | 130 | 3/4" conduit entrie | 3M power cable | |
| ALE5AN27DBWMGN | CE | Polycarbonate | 180° (oval) | 5000K | 80 | 6,400 | 52 | 123 | Stainless steel locking bracket | 3M power cable | Cable gland |
| ALU5AN26DVNNGN | UL | Polycarbonate | 180° (oval) | 5000K | 80 | 3,800 | 30 | 127 | Wall mount 0° (3/4 NPT) | | |

Lumen Tables

| 100-277 VAC, 120-250 VDC | | | | | | | | | |
|--------------------------|-------------------|---------------|---------|--------------------|------------------|--------------------|------------------|--------------------|------------------|
| Output Family | Beam Distribution | Lens | Wattage | Lumens 5000 CCT | 5000 CCT lm/W | Lumens 4000 CCT | 4000 CCT lm/W | Lumens 2700 CCT | 2700 CCT lm/W |
| 9,000 | 360° | 1/4" Glass | 66 | 9000 | 136 | 8800 | 134 | 8200 | 124 |
| | | Polycarbonate | | 8300 | 127 | 8100 | 123 | 7600 | 115 |
| | 180° | 1/4" Glass | | 8800 | 134 | 8600 | 131 | 8000 | 121 |
| | | Polycarbonate | | 8100 | 124 | 7900 | 120 | 7400 | 112 |
| 7,300 | 360° | 1/4" Glass | 52 | 7300 | 140 | 7100 | 138 | 6700 | 129 |
| | | Polycarbonate | | 6700 | 131 | 6500 | 126 | 6100 | 117 |
| | 180° | 1/4" Glass | | 7100 | 138 | 6900 | 134 | 6500 | 125 |
| | | Polycarbonate | | 6600 | 128 | 6400 | 124 | 6000 | 115 |
| | Wide | 1/4" Glass | | 7300 | 114 | 7100 | 112 | 6700 | 105 |
| | | Polycarbonate | | 6700 | 106 | 6500 | 103 | 6100 | 95 |
| 5,700 | 360° | 1/4" Glass | 40 | 5700 | 143 | 5500 | 140 | 5200 | 130 |
| | | Polycarbonate | | 5300 | 133 | 5100 | 130 | 4800 | 120 |
| | 180° | 1/4" Glass | | 5500 | 140 | 5300 | 135 | 5000 | 125 |
| | | Polycarbonate | | 5100 | 130 | 4900 | 125 | 4600 | 115 |
| 4,200 | 360° | 1/4" Glass | 30 | 4200 | 140 | 4100 | 137 | 3800 | 127 |
| | | Polycarbonate | | 3900 | 130 | 3800 | 127 | 3900 | 130 |
| | 180° | 1/4" Glass | | 4100 | 137 | 4000 | 134 | 4100 | 137 |
| | | Polycarbonate | | 3800 | 127 | 3700 | 124 | 3400 | 113 |
| 3,100 | 360° | 1/4" Glass | 24 | 3100 | 129 | 3000 | 127 | 2800 | 117 |
| | | Polycarbonate | | 2800 | 120 | 2700 | 114 | 2500 | 104 |
| | 180° | 1/4" Glass | | 3000 | 127 | 2900 | 123 | 2700 | 113 |
| | | Polycarbonate | | 2800 | 118 | 2700 | 114 | 2500 | 104 |

All values typical unless otherwise stated (tolerance +/- 10%)

For lighting layouts, please find IES files at www.dialight.com

Lumen Maintenance Factor Tables

| Lumen Maintenance Factor | | | | | | | | | | |
|--------------------------|-----|-------|-------|-------|-------|-------|-------|--------|--------|--------|
| Time (Hours) | | | | | | | | | | |
| Ambient (C) | 0 | 15000 | 30000 | 45000 | 60000 | 75000 | 90000 | 100000 | 200000 | 300000 |
| 25° | 100 | 98 | 96 | 95 | 94 | 92 | 91 | 90 | 82 | 75 |
| 30° | 100 | 98 | 96 | 95 | 94 | 92 | 91 | 90 | 82 | 75 |
| 35° | 100 | 98 | 96 | 95 | 94 | 92 | 91 | 90 | 82 | 75 |
| 40° | 100 | 98 | 96 | 95 | 94 | 92 | 91 | 90 | 82 | 75 |
| 45° | 100 | 98 | 96 | 95 | 94 | 92 | 91 | 90 | 82 | 75 |
| 50° | 99 | 97 | 95 | 94 | 93 | 91 | 90 | 89 | 81 | 74 |
| 55° | 98 | 96 | 94 | 93 | 92 | 90 | 89 | 88 | 81 | 73 |
| 60° | 97 | 95 | 93 | 92 | 91 | 90 | 88 | 88 | 80 | 73 |
| 65° | 96 | 94 | 92 | 91 | 90 | 89 | 87 | 87 | 79 | 72 |

Measured LED temperature for an ambient temperature range of 25°C to 65°C and calculated lumen maintenance using TM-21 calculator and LED LM80 data.

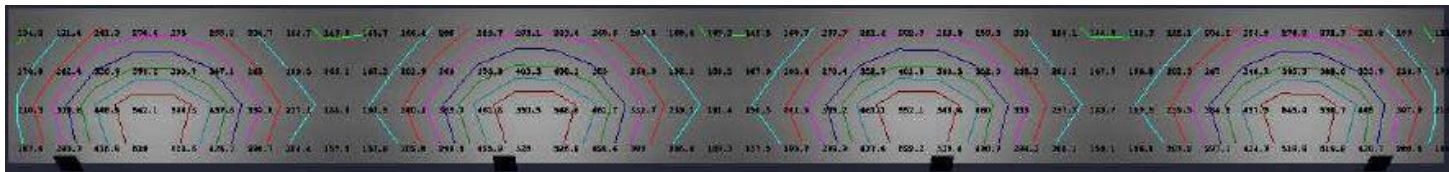
Data in the above tables relates to 100 – 277 VAC, 120-250 VDC product. For information about 347-480 VAC, 24-48 VDC, Battery back-up products please visit www.dialight.com.

Lighting Layouts

ALE7AN27xxxxxN

Calculation Summary - Mounting Height: 2.4m

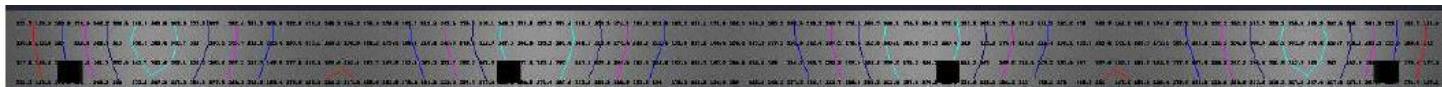
| Calc Type | Units | Avg | Max | Min | Avg/Min | Max/Min |
|-------------|-------|--------|-------|-------|---------|---------|
| Illuminance | Lux | 294.17 | 552.1 | 134.8 | 2.18 | 4.10 |



ALE7WN27xxxxxN

Calculation Summary - Mounting Height: 2.4m

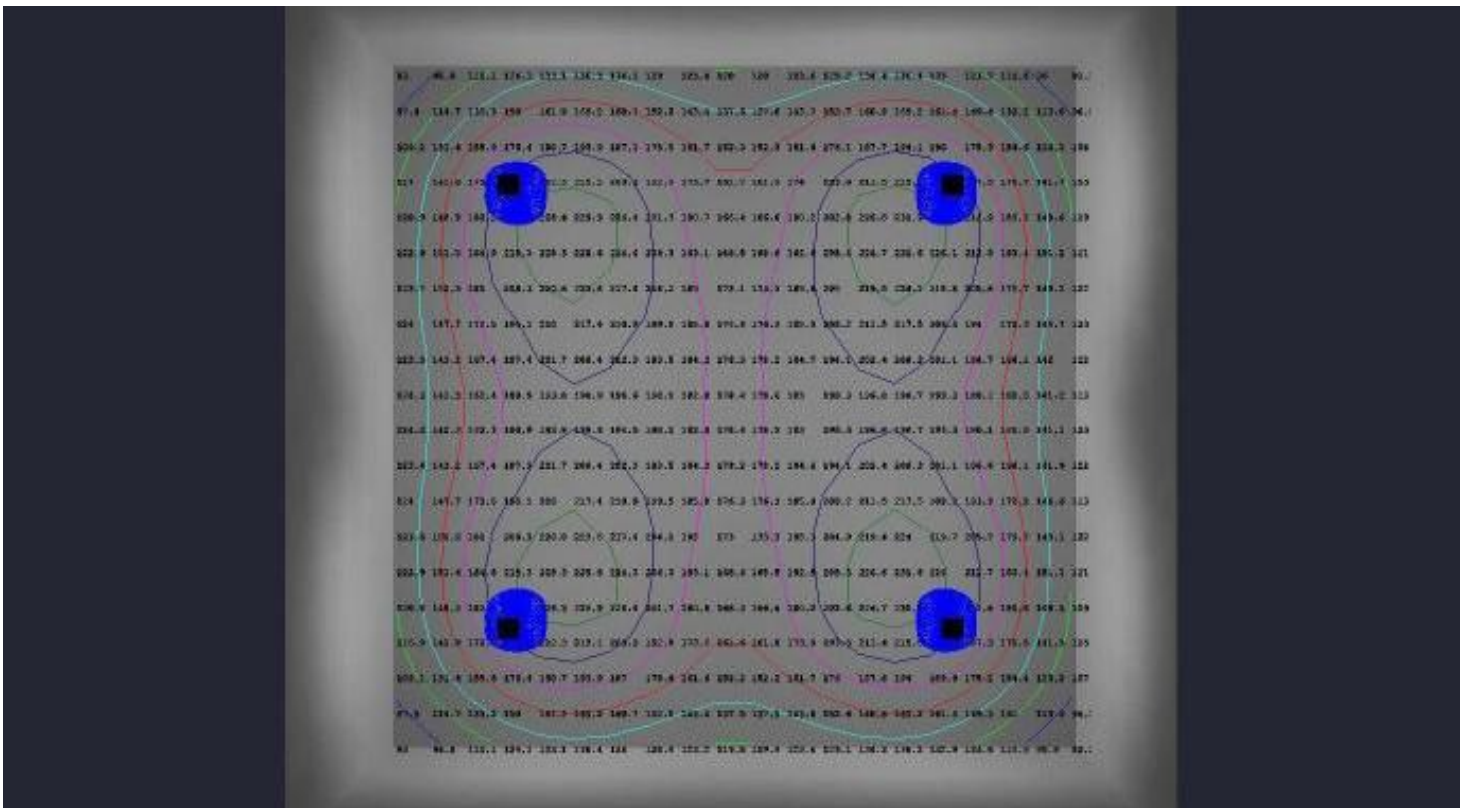
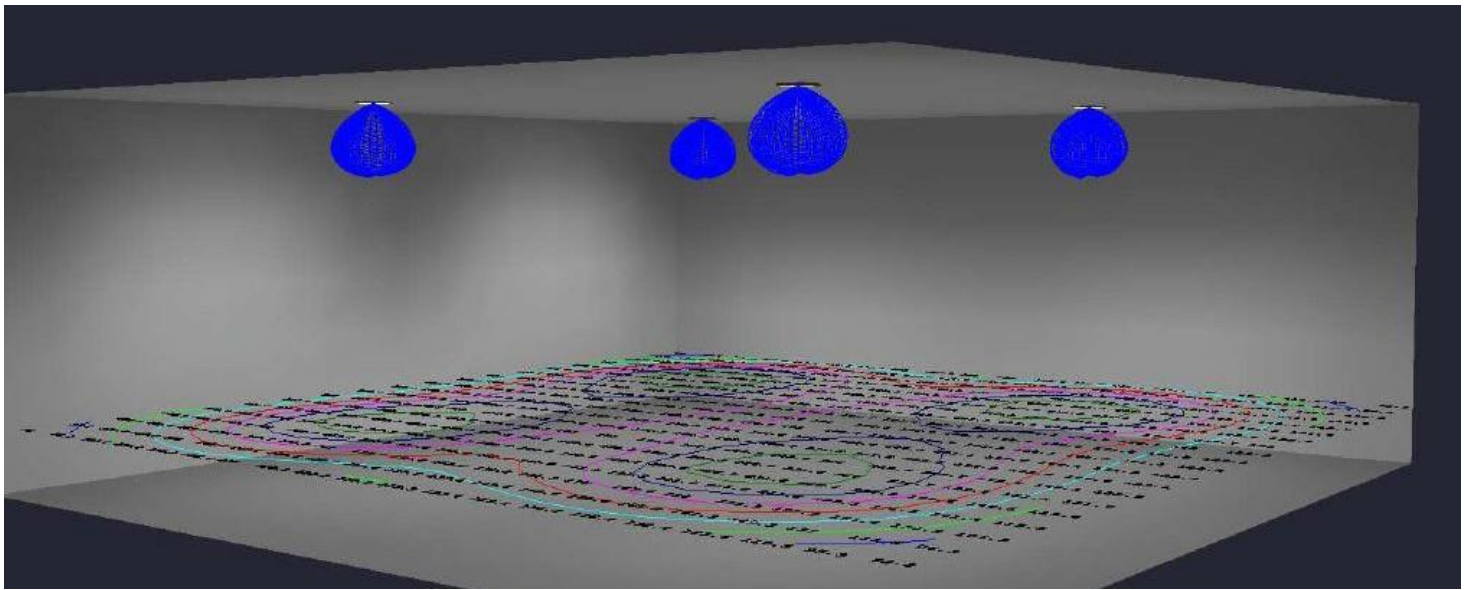
| Calc Type | Units | Avg | Max | Min | Avg/Min | Max/Min |
|-------------|-------|--------|-------|-------|---------|---------|
| Illuminance | Lux | 245.25 | 395.5 | 114.5 | 2.14 | 3.45 |



Lighting Layouts

ALE7BC27xxxxxN

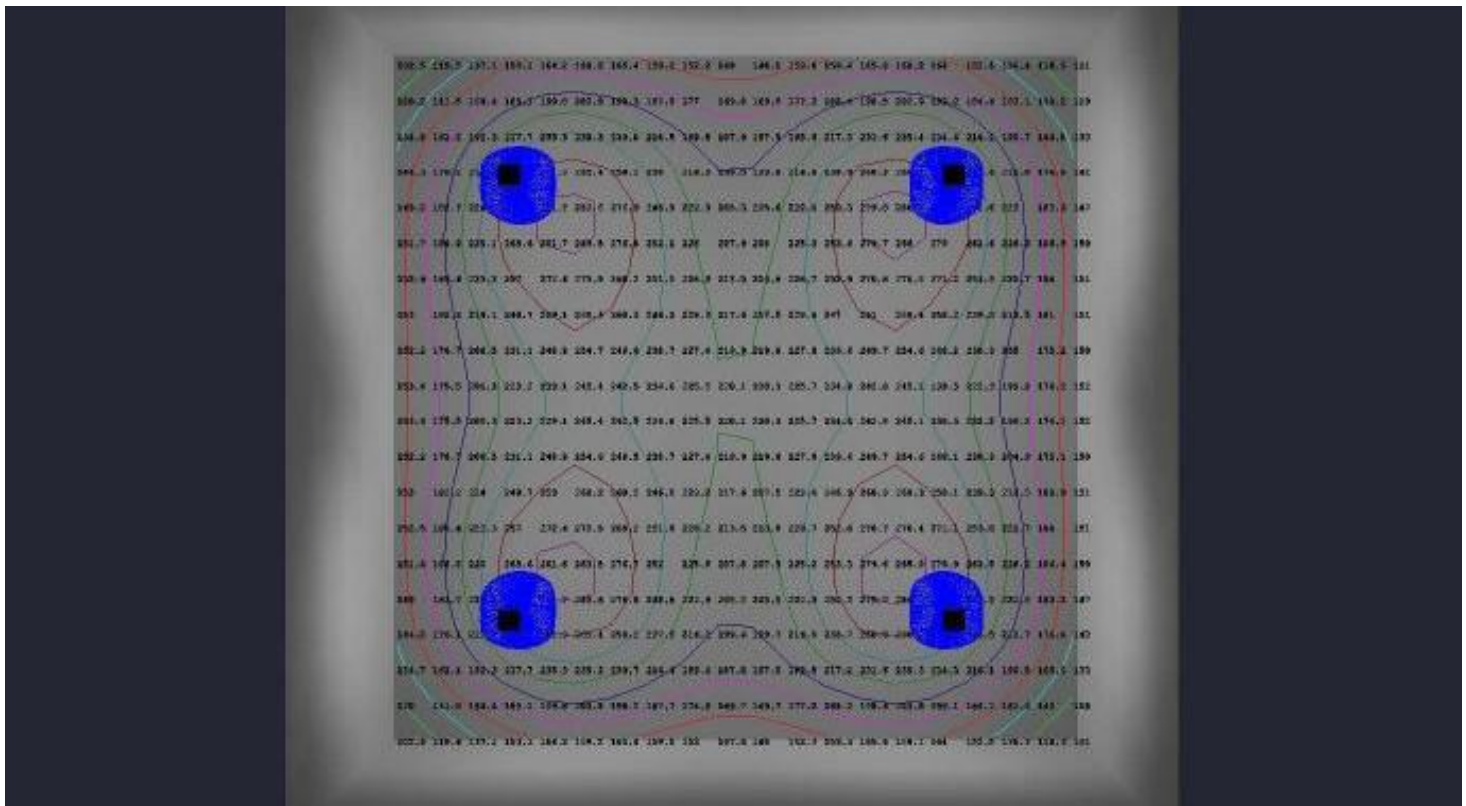
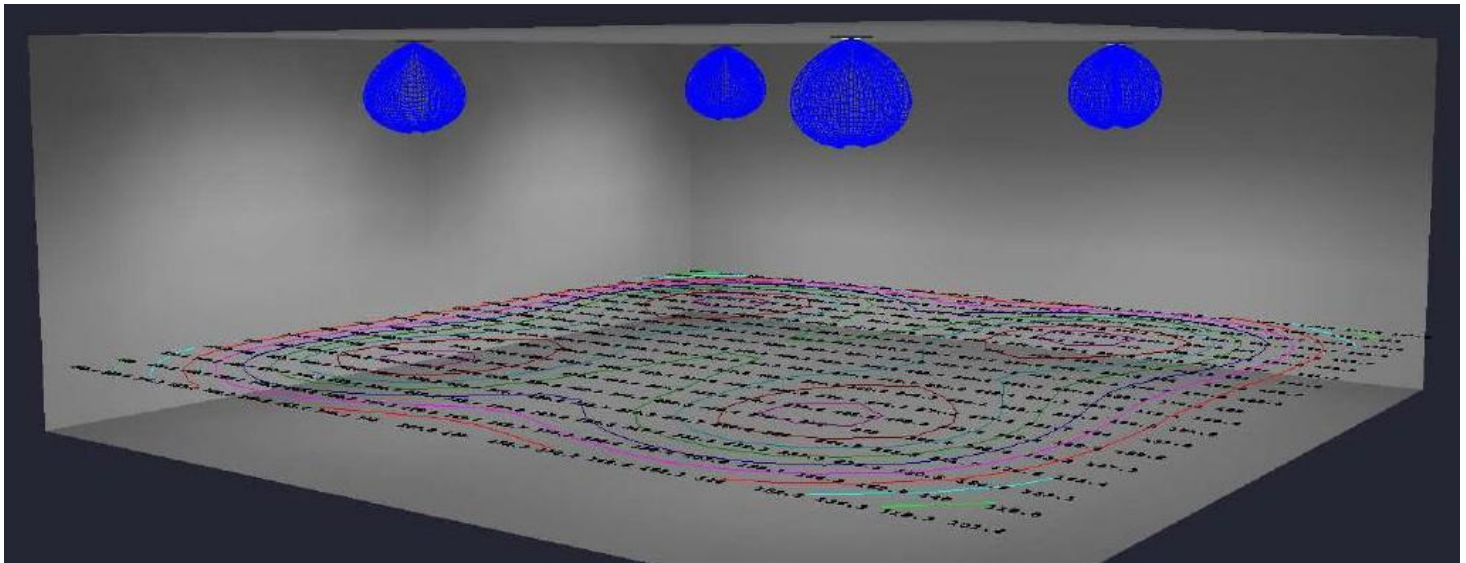
| Calculation Summary - Mounting Height: 4.6m Workplane: 0.76m | | | | | | |
|--|-------|--------|-------|------|---------|---------|
| Calc Type | Units | Avg | Max | Min | Avg/Min | Max/Min |
| Illuminance | Lux | 170.98 | 231.9 | 82.2 | 2.08 | 2.82 |



Lighting Layouts

ALE7BC29xxxxxN

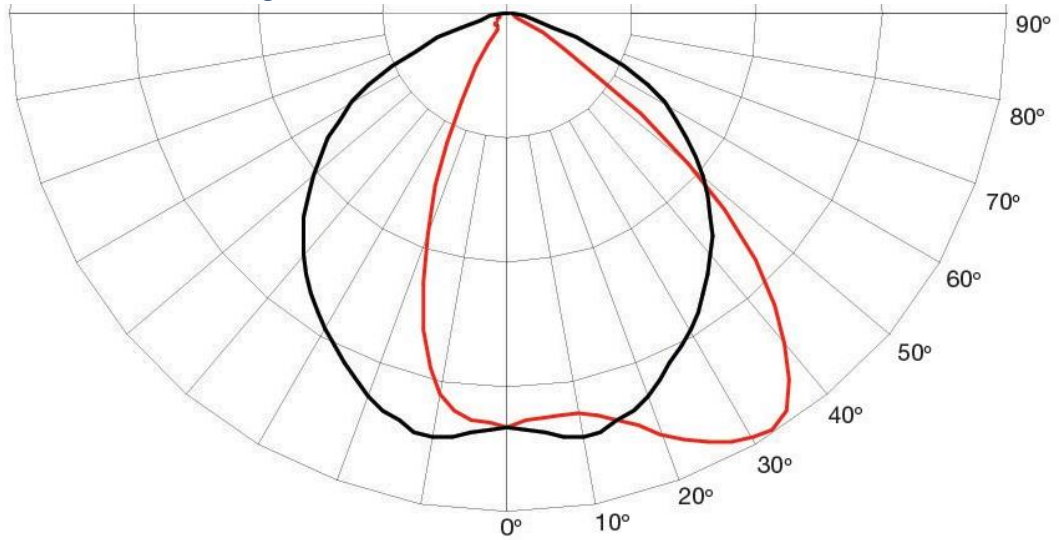
| Calculation Summary - Mounting Height: 4.6m Workplane: 0.76m | | | | | | |
|--|-------|--------|-------|-------|---------|---------|
| Calc Type | Units | Avg | Max | Min | Avg/Min | Max/Min |
| Illuminance | Lux | 210.96 | 286.1 | 101.4 | 2.08 | 2.82 |



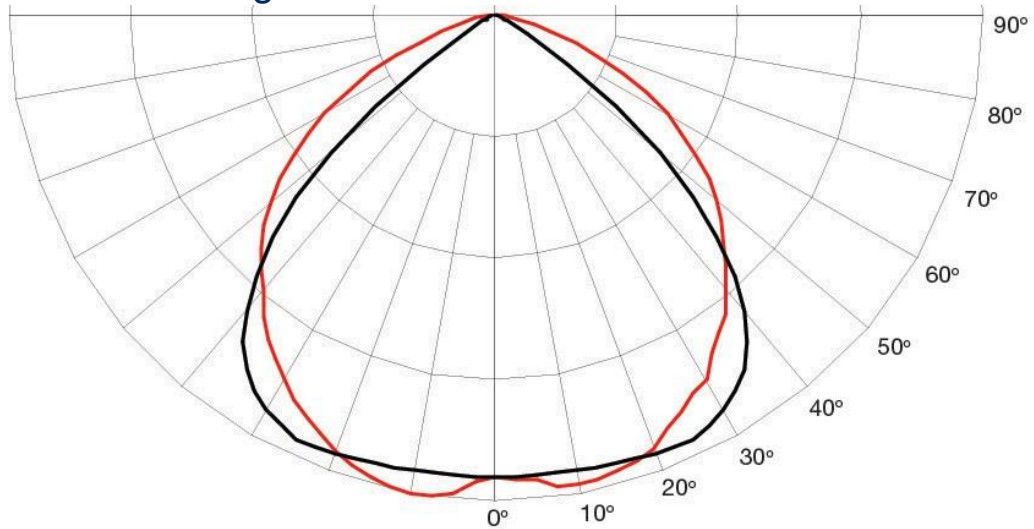
Beam Distribution

100-277 VAC, 120-250 VDC

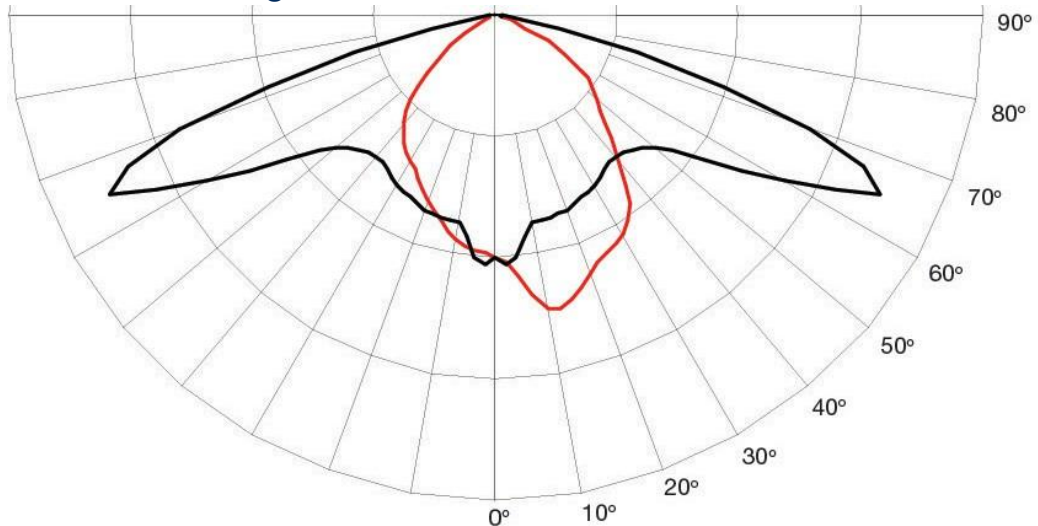
180° Beam Angle



360° Beam Angle



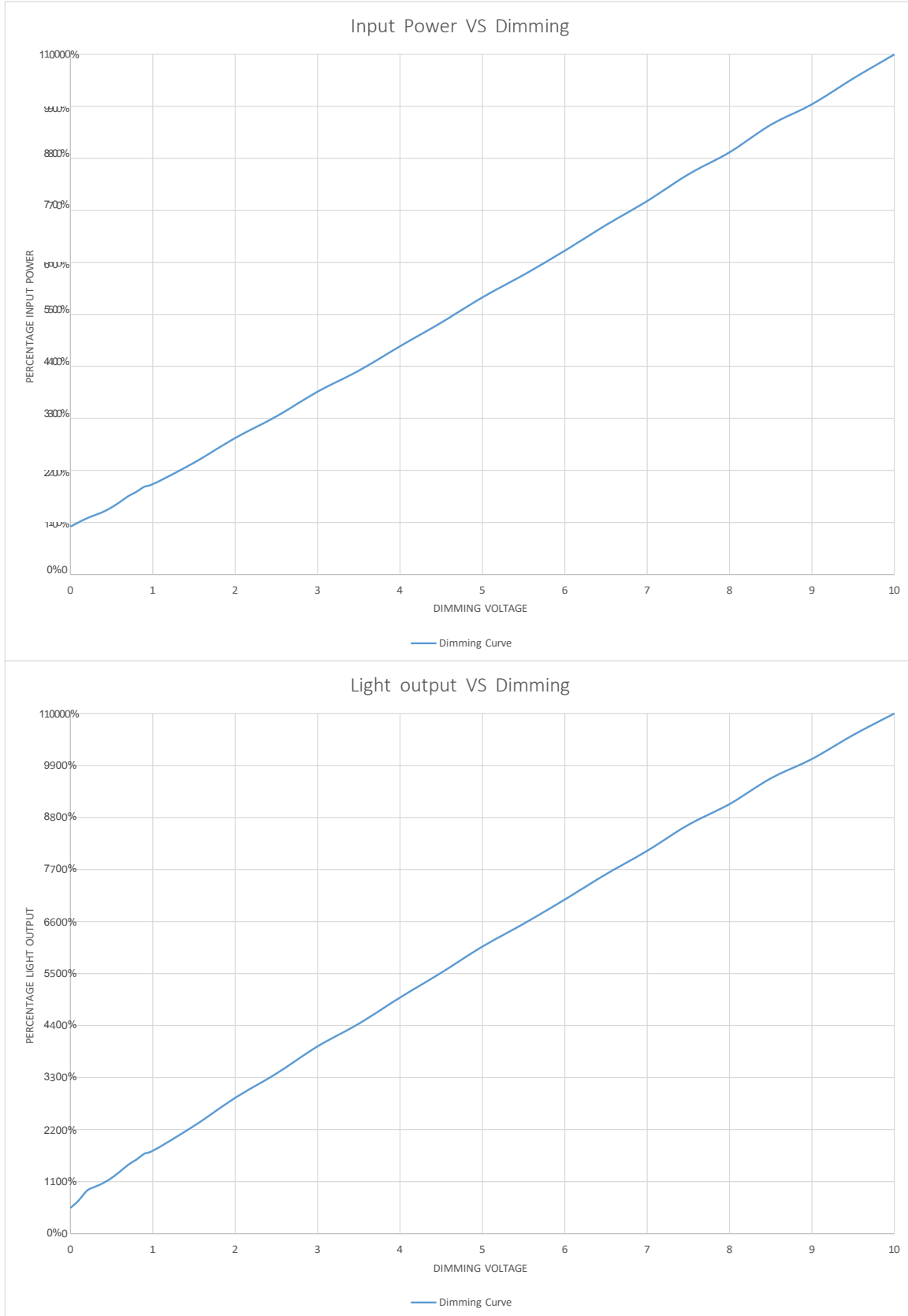
Wide Beam Angle



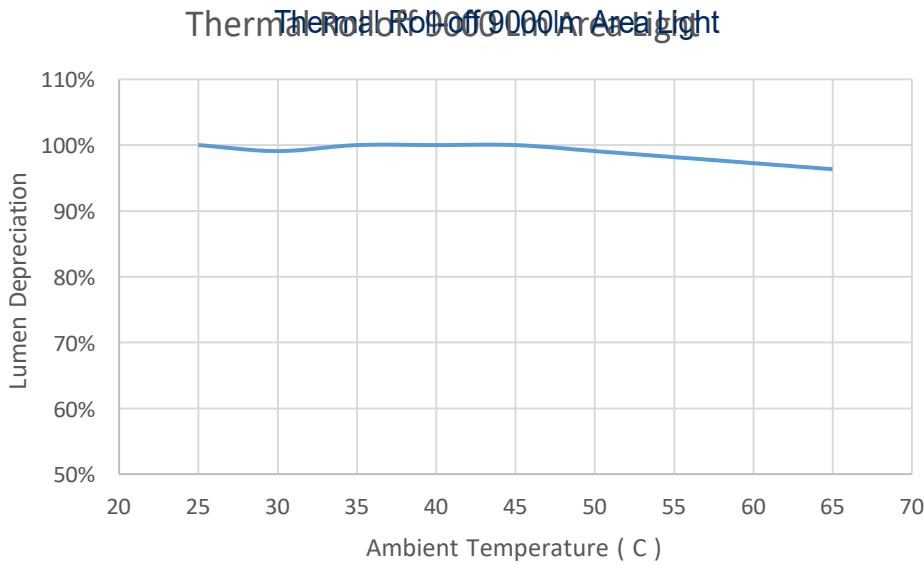
█ = 0°
█ = 90°

Dimming

Dimming Characterization 0 - 10V



Thermal Roll-Off



| Ambient Temperature (C) | Lumen Degradation |
|-------------------------|-------------------|
| 25° | 100% |
| 30° | 99% |
| 35° | 100% |
| 40° | 100% |
| 45° | 100% |
| 50° | 99% |
| 55° | 98% |
| 60° | 97% |
| 65° | 96% |

All values typical unless otherwise stated (tolerance +/- 10%)

In Rush Current / Circuit Breakers

| Model | Wattage | In rush current @ input voltage | | | Time duration of in rush current @ input voltage | | |
|---------|---------|---------------------------------|---------|---------|--|---------|---------|
| | | 120 VAC | 230 VAC | 277 VAC | 120 VAC | 230 VAC | 277 VAC |
| 9K | 66 | 8A | 15A | 18A | 1ms | 1ms | 1ms |
| 7K | 52 | 8A | 15A | 18A | 1ms | 1ms | 1ms |
| 7K Wide | 64 | 8A | 15A | 18A | 1ms | 1ms | 1ms |
| 5.5K | 40 | 8A | 15A | 18A | 1ms | 1ms | 1ms |
| 4K | 30 | 8A | 15A | 18A | 1ms | 1ms | 1ms |
| 3K | 24 | 8A | 15A | 18A | 1ms | 1ms | 1ms |

Mounting Options

Adjustable Bracket Mounting



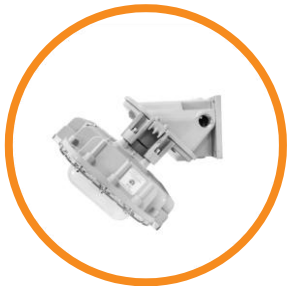
Part Number: ALxxx2xDN^NxGN

Ceiling & Wall Mounting



Area Light with 0° Wall Mount

Part Number: ALxxx2xDV^NxGN



Area Light with 45° Wall Mount

Part Number: ALxxx2xDW^NxGN

Mounting Options

Stanchion & Pole Mounting



Area Light with 45° Stanchion Mount

Part Number: ALxxxx2xDSNxGN



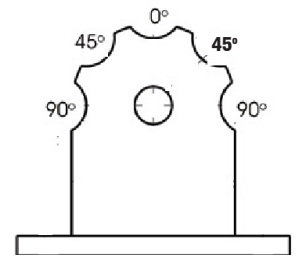
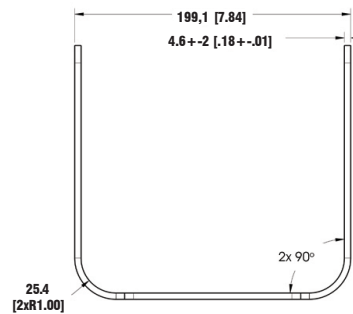
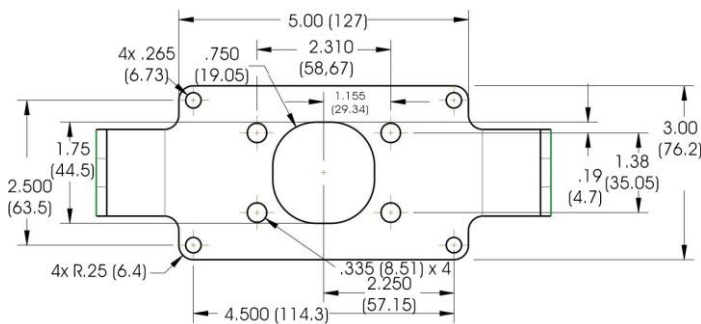
Area Light with 35mm Slip-fit Pole Mount

Part Number: ALxxxx2xDYNxGN

Dimensional Drawings - Accessories

HZXW3, HZXW4, HZXW7, AND HZXW8

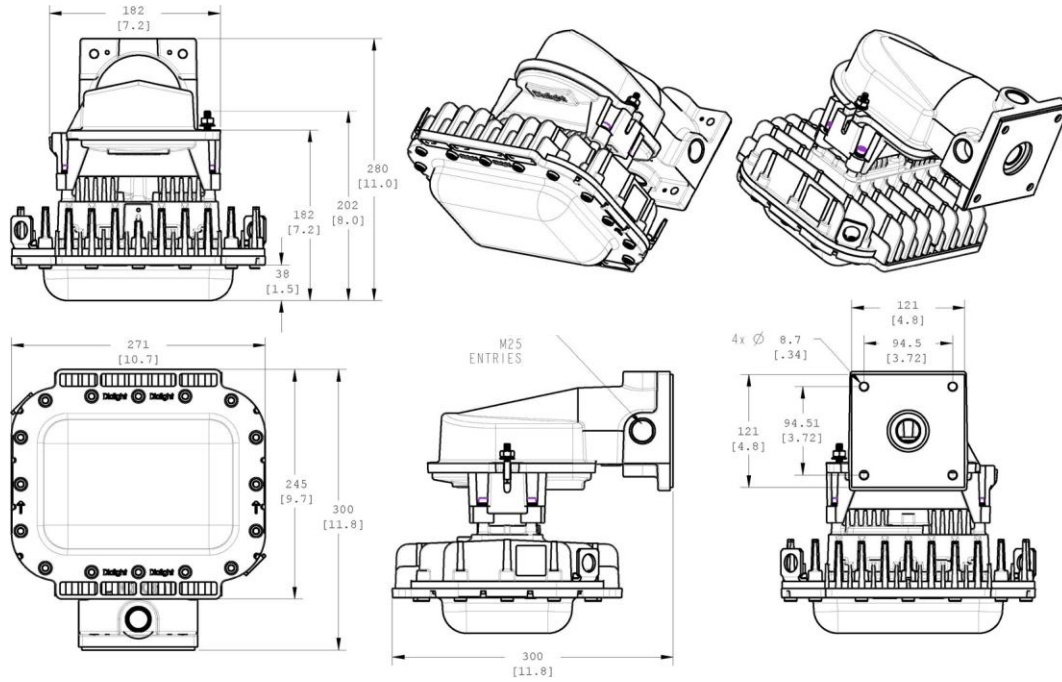
.25" thick; HZXW4 and HZXW8 will mount to 1.5" conduit and comes with pipe mount clamps.



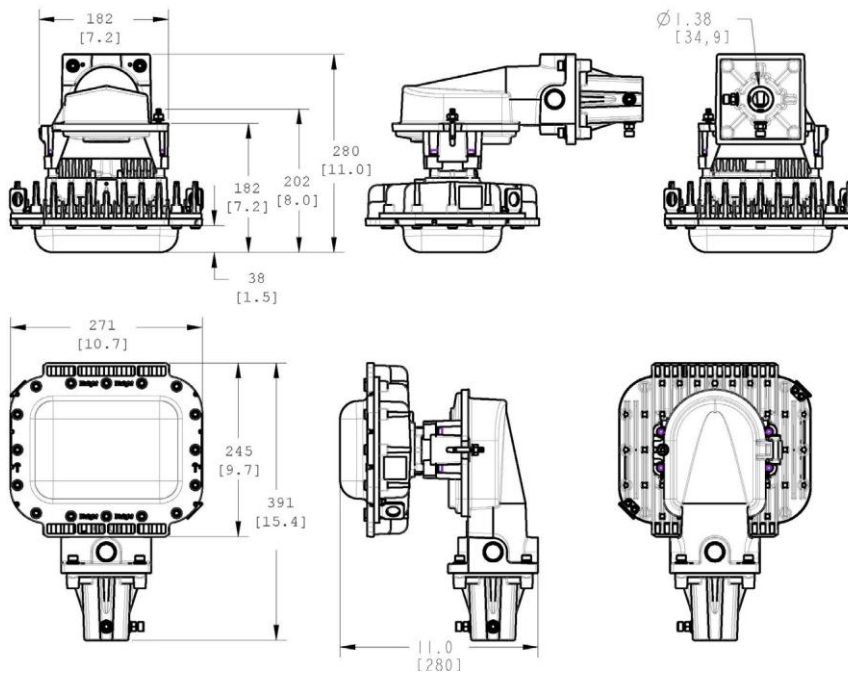
Dimensions in mm [inches]

Dimensional Drawings - Universal Mounting Adapters

Wall Mount



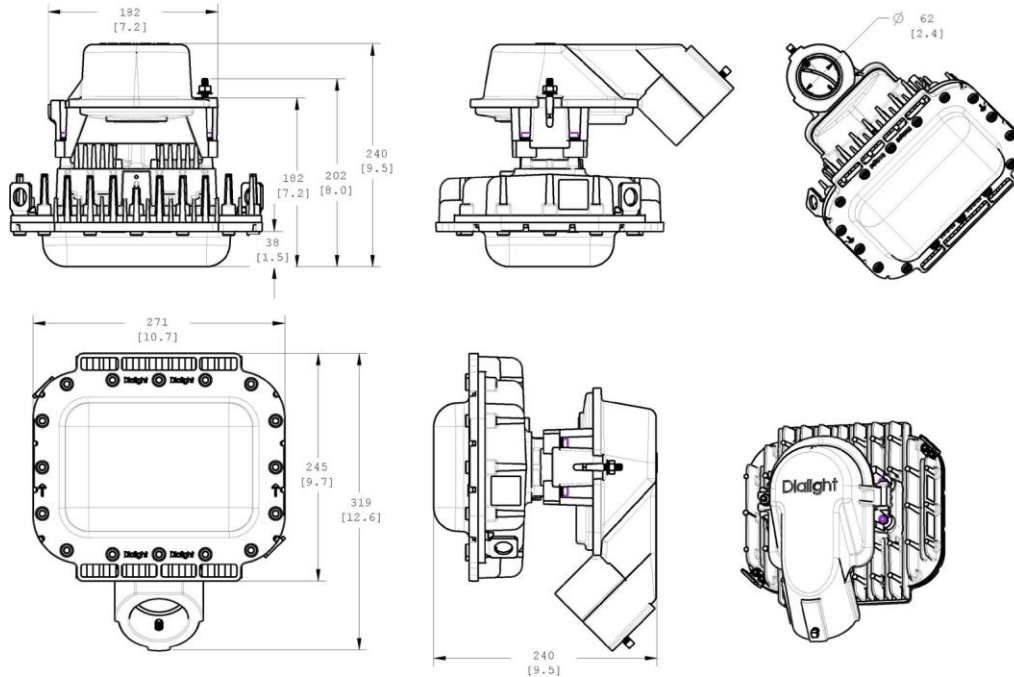
34mm Slip-Fit Pole Mount



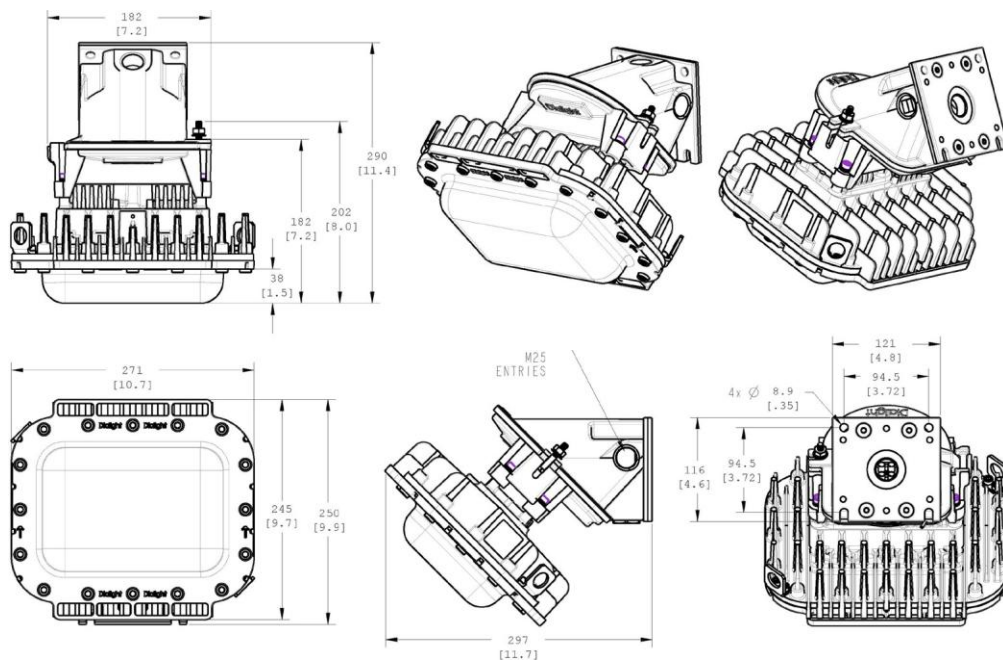
Dimensions in inches [mm]

Dimensional Drawings - Universal Mounting Adapters

45° Stanchion Mount



45° Wall Mount



Dimensions in inches [mm]

North American HQ

1501 Route 34 South
Farmingdale, NJ 07727
Tel: 732-919-3119
Fax: 732-751-5778
info@dialight.com

EMEA

60 Petty France, London, SW1H 9EU
Tel: +44 (0) 203 058 3540
Email: sales-emea@dialight.com

Middle East

MF-24 Plot 125-0, Al Sayegh
Building – Commercial,
Port Saeed, Dubai,
United Arab Emirates
Tel: +971 4 409 6962
Fax: +971 4 409 6850
sales-emea@dialight.com

Australia

108 Howe Street
Osborne Park WA 6017
Tel: +61(0)8 9244 7600
sales@dialight.com.au

Southeast Asia

56 Kallang Pudding Road
#09 – 08 HH@Kallang
Singapore 349328
Tel: +65 6578 7271
Fax: +65 6578 7150
enquiry@dialight.com.sg

ALL VALUES ARE DESIGN OR TYPICAL VALUES WHEN MEASURED UNDER LABORATORY CONDITIONS. THE LIGHTING EFFICIENCY STATEMENTS CONTAINED HEREIN ARE CALCULATED ON A LUMEN PER WATTS BASIS WHEN COMPARING FIXTURES WITH SIMILAR FEATURES. ALL INFORMATION PROVIDED IS ACCURATE AS OF THE DATE OF PUBLICATION, IS SUBJECT TO CHANGE WITHOUT NOTICE AND DOES NOT FORM PART OF ANY CONTRACT WITH DIALIGHT. DIALIGHT DOES NOT WARRANT OR REPRESENT THAT ITS PRODUCTS ARE FIT FOR ANY PARTICULAR PURPOSE AND HAS NO RESPONSIBILITY FOR THE [INAPPROPRIATE/UNAUTHORISED/NON-APPROVED] USE OF ANY DIALIGHT PRODUCTS BY THE END USER.

Dialight reserves the right to make changes at any time in order to supply the best product possible.

The most current version of this document will always be available at: www.dialight.com



ProSite LED Floodlight

Technical Specification Sheet - APAC

ProSite LED Floodlight - Non-Hazardous

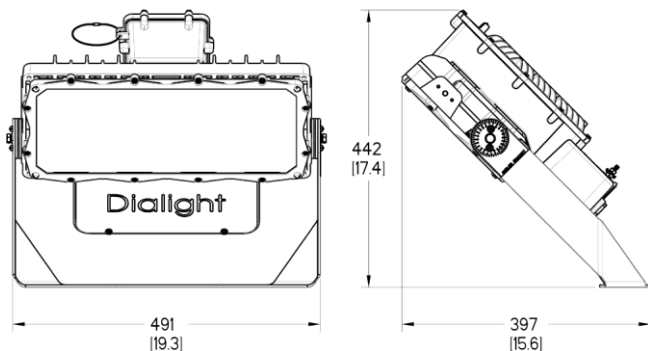
F1 Models



Certifications & Ratings

- 10 year warranty
- CE / ENEC / RCM
- IP66/67
- DNV TAE00004GM
- IK10 - Integrated PC optic only
- IK10 - Polycarbonate lens
- IK08 - Glass lens
- L70 > 150,000 hours @ 25°C ambient
- Vibration - Lloyd's test 1

Angled Bracket



Dimensions in mm [inches]

Additional dimensional drawings on pages 16-17

Mechanical Information:

| | |
|------------------------|--|
| Fixture weight: | 10.9 - 13.6 kg |
| Shipping weight: | ~14.5 kg |
| EPA (m ²): | 0.186 |
| Mounting: | 316 stainless steel straight bracket 316 stainless steel angled bracket Slipfitter bracket |
| Cable entry: | 2 x M25 |

Electrical Specifications:

| | |
|-----------------------|--|
| Operating voltage: | 120-277 VAC / 120-250 VDC 347-415-480 VAC |
| Operating temp: | -40°C to +65°C |
| EMC: | CISPR 15 Flicker: IEC 61000-3-3 Immunity requirements for lighting: IEC 61547 Harmonics: IEC 61000-3-2 Class C |
| Transient protection: | IEC 61000-4-5. 6kV line-line and line-ground. |
| Optional: | Additional surge protection module rated for 10kA, 20kA single strike |
| THD: | < 20% |
| Power Factor: | > 0.9 |
| Dimming: | DALI 2.0 compatible/0-10 VDC Optional wireless dimming via Dialight IntelliLED controls |

Construction:

| | |
|-----------|--|
| Housing: | A360 Die-cast aluminum |
| Hardware: | 316 stainless steel |
| Finish: | Superior epoxy and polyester dual coat finish |
| Lens: | Integrated PC Optic/Lens, Glass Lens Cover, PC Lens Cover |

Photometric Information:

| | |
|---------------|--|
| CRI: | 70 (80 optional) |
| CCT: | 5000K (cool white) 4000K (neutral white) 2200K (warm white) 2700K (warm white) - 80 CRI Amber |
| Beam pattern: | Medium - 55° Wide - 125° Very Wide - 131° x 108° Asymmetric - Forward Distribution Asymmetric Wide |

IES files: Available at www.dialight.com

All values typical unless otherwise stated (tolerance +/- 10%)

WARNING - INSTALLATION & SECONDARY RETENTION. Use of any Dialight products without proper installation (including secondary retention / netting) and periodic inspections could cause severe injury or death. Dialight recommends that all installations should use secondary retention / netting (appropriate to the installation environment) where applicable. It is the exclusive responsibility of the contractor, installer and/or end-user to: (a) determine the suitability of the product for its intended application; and, (b) ensure that the product is safely installed (with secondary retention / netting where appropriate) and in compliance with all applicable laws and regulations. To the extent permissible under applicable laws, Dialight disclaims all liability for personal injury and/or other damage resulting from any dislodgment or other dislocation of its products.



Ordering Information - F1

ProSite LED Floodlight - Non-Hazardous

| Industrial - CE / RCM | | | | | | | |
|------------------------|----------------|---------|------|-------------------------|-----------------------|---------------|-------------------------|
| Part Number | Fixture Lumens | Wattage | lm/W | Voltage | CCT | Lens | Beam Distribution |
| 12,000lm Models | | | | | | | |
| F1E-N7B2-BDEN-VGN | 13,200 | 81 | 163 | 100-277VAC / 120-250VDC | 5000k (cool white) | Integrated PC | Very Wide (131° x 108°) |
| F1E-N6B2-BDEN-VGN | 13,200 | 81 | 163 | 100-277VAC / 120-250VDC | 5000k (cool white) | Integrated PC | Wide (125°) |
| F1E-N4B2-BDEN-VGN | 13,200 | 81 | 163 | 100-277VAC / 120-250VDC | 5000k (cool white) | Integrated PC | Medium (56°) |
| F1E-7FB2-BDEN-VGN | 12,200 | 81 | 151 | 100-277VAC / 120-250VDC | 5000k (cool white) | Glass | Asymmetric |
| F1E-NJB2-BDEN-VGN | 12,300 | 81 | 152 | 100-277VAC / 120-250VDC | 5000k (cool white) | Integrated PC | Asymmetric Wide |
| F1E-N7L2-BDEN-VGN | 13,200 | 81 | 163 | 100-277VAC / 120-250VDC | 4000k (neutral white) | Integrated PC | Very Wide (131° x 108°) |
| F1E-N6L2-BDEN-VGN | 13,200 | 81 | 163 | 100-277VAC / 120-250VDC | 4000k (neutral white) | Integrated PC | Wide (125°) |
| F1E-N4L2-BDEN-VGN | 13,200 | 81 | 163 | 100-277VAC / 120-250VDC | 4000k (neutral white) | Integrated PC | Medium (56°) |
| F1E-7FL2-BDEN-VGN | 12,200 | 81 | 151 | 100-277VAC / 120-250VDC | 4000k (neutral white) | Glass | Asymmetric |
| F1E-NJL2-BDEN-VGN | 12,300 | 81 | 152 | 100-277VAC / 120-250VDC | 4000k (neutral white) | Integrated PC | Asymmetric Wide |
| 18,000lm Models | | | | | | | |
| F1E-N7B2-CDEN-VGN | 19,100 | 124 | 154 | 100-277VAC / 120-250VDC | 5000k (cool white) | Integrated PC | Very Wide (131° x 108°) |
| F1E-N6B2-CDEN-VGN | 19,100 | 124 | 154 | 100-277VAC / 120-250VDC | 5000k (cool white) | Integrated PC | Wide (125°) |
| F1E-N4B2-CDEN-VGN | 19,100 | 124 | 154 | 100-277VAC / 120-250VDC | 5000k (cool white) | Integrated PC | Medium (56°) |
| F1E-7FB2-CDEN-VGN | 17,700 | 124 | 143 | 100-277VAC / 120-250VDC | 5000k (cool white) | Glass | Asymmetric |
| F1E-NJB2-CDEN-VGN | 17,800 | 124 | 144 | 100-277VAC / 120-250VDC | 5000k (cool white) | Integrated PC | Asymmetric Wide |
| F1E-N7L2-CDEN-VGN | 19,100 | 124 | 154 | 100-277VAC / 120-250VDC | 4000k (neutral white) | Integrated PC | Very Wide (131° x 108°) |
| F1E-N6L2-CDEN-VGN | 19,100 | 124 | 154 | 100-277VAC / 120-250VDC | 4000k (neutral white) | Integrated PC | Wide (125°) |
| F1E-N4L2-CDEN-VGN | 19,100 | 124 | 154 | 100-277VAC / 120-250VDC | 4000k (neutral white) | Integrated PC | Medium (56°) |
| F1E-7FL2-CDEN-VGN | 17,700 | 124 | 143 | 100-277VAC / 120-250VDC | 4000k (neutral white) | Glass | Asymmetric |
| F1E-NJL2-CDEN-VGN | 17,800 | 124 | 144 | 100-277VAC / 120-250VDC | 4000k (neutral white) | Integrated PC | Asymmetric Wide |
| 30,000lm Models | | | | | | | |
| F1E-N7B2-FDEN-VGN | 31,600 | 234 | 135 | 100-277VAC / 120-250VDC | 5000k (cool white) | Integrated PC | Very Wide (131° x 108°) |
| F1E-N6B2-FDEN-VGN | 31,600 | 234 | 135 | 100-277VAC / 120-250VDC | 5000k (cool white) | Integrated PC | Wide (125°) |
| F1E-N4B2-FDEN-VGN | 31,600 | 234 | 135 | 100-277VAC / 120-250VDC | 5000k (cool white) | Integrated PC | Medium (56°) |
| F1E-7FB2-FDEN-VGN | 29,200 | 234 | 125 | 100-277VAC / 120-250VDC | 5000k (cool white) | Glass | Asymmetric |
| F1E-NJB2-FDEN-VGN | 29,400 | 234 | 126 | 100-277VAC / 120-250VDC | 5000k (cool white) | Integrated PC | Asymmetric Wide |
| F1E-N7L2-FDEN-VGN | 31,600 | 234 | 135 | 100-277VAC / 120-250VDC | 4000k (neutral white) | Integrated PC | Very Wide (131° x 108°) |
| F1E-N6L2-FDEN-VGN | 31,600 | 234 | 135 | 100-277VAC / 120-250VDC | 4000k (neutral white) | Integrated PC | Wide (125°) |
| F1E-N4L2-FDEN-VGN | 31,600 | 234 | 135 | 100-277VAC / 120-250VDC | 4000k (neutral white) | Integrated PC | Medium (56°) |
| F1E-7FL2-FDEN-VGN | 29,200 | 234 | 125 | 100-277VAC / 120-250VDC | 4000k (neutral white) | Glass | Asymmetric |
| F1E-NJL2-FDEN-VGN | 29,400 | 234 | 126 | 100-277VAC / 120-250VDC | 4000k (neutral white) | Integrated PC | Asymmetric Wide |
| Amber Models | | | | | | | |
| F1E-7FA2-BDEN-VGN | 11,700 | 226 | 52 | 100-277VAC / 120-250VDC | Amber | Glass | Asymmetric |

All values typical unless otherwise stated (tolerance +/- 10%).
 Part numbers listed in bold are typically available in stock.
 Voltage - For 347-415-480 VAC change 7th character to '5'.
 Lens - For glass lens cover change 4th character to a '7'. For PC lens cover change 4th character to a '4'. Lens option '4' and '7' not available for asymmetric wide optic.
 CCT - For 2200k change 6th character to 'U'. Refer to lumen table on page 8-9 for accurate values.
 Surge Protection - For 10kA surge protection 120-277VAC change 7th character to '8'. For 10kA surge protection 347-415-480 VAC change 7th character to '9'.
 PE Cell - For NEMA PE Cell Receptacle with shorting cap change 9th character to 'S'.
 Mounting Bracket - Angled Bracket supplied as standard - for straight bracket change 10th character to 'F', for slip fitter change 10th character to 'S', for heavy-duty bracket change 10th character to 'H'.
 Amber options available.

DISCLAIMER. All product information provided is, to the best of Dialight's knowledge, accurate as of the date of publication. When ordering, refer to www.dialight.com for current versions of: (a) relevant product documentation (including the relevant product data sheets); (b) Dialight terms and conditions of sale; and, (c) the relevant product warranty. To the extent that any contract is deemed formed between Dialight and the purchaser of Dialight products and/or an end-user, versions of documents available at www.dialight.com as at the date of sale shall be the versions incorporated therein. In the event of any discrepancy between this document or information provided at www.dialight.com, the latter shall prevail.

ProSite LED Floodlight - Non-Hazardous

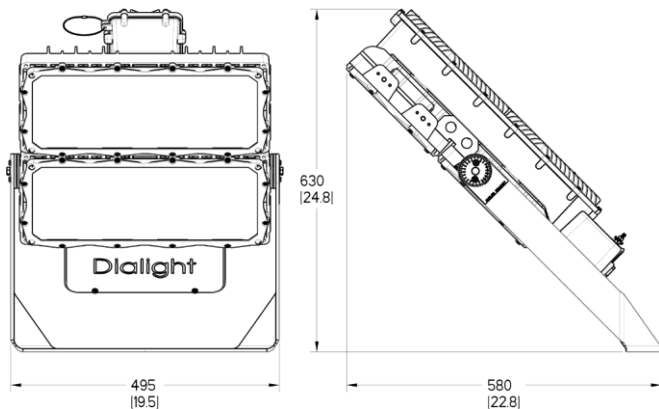
F2 Models



Certifications & Ratings

- 10 year warranty
- CE / ENEC / RCM
- IP66/67
- DNV TAE00004GM
- IK10 - Integrated PC optic only
- IK10 - Polycarbonate lens
- IK08 - Glass lens
- L70 > 150,000 hours @ 25°C ambient
- Vibration - Lloyd's test 1

Angled Bracket



Dimensions in mm [inches]
Additional dimensional drawings on pages 16-17

Mechanical Information:

| | |
|---------------------------------|--|
| Fixture weight: | 19.5 - 24.5 kg |
| Shipping weight: | ~25.5 kg |
| EPA (m ²): | 0.310 |
| Mounting: | 316 stainless steel straight bracket 316 stainless steel angled bracket |
| (all with 7.5° tilt adjustment) | |
| Cable entry: | 2 x M25 |

Electrical Specifications:

| | |
|-----------------------|--|
| Operating voltage: | 120-277 VAC / 120-250 VDC 347-415-480 VAC |
| Operating temp: | -40°C to +65°C -40°C to +55°C - 60klm |
| EMC: | CISPR 15 Flicker: IEC 61000-3-3 Immunity requirements for lighting: IEC 61547 Harmonics: IEC 61000-3-2 Class C |
| Transient protection: | IEC 61000-4-5. 6kV line-line and line-ground. |
| Optional: | Additional surge protection module rated for 10kA, 20kA single strike |
| THD: | < 20% |
| Power Factor: | > 0.9 |
| Dimming: | DALI 2.0 compatible/0-10 VDC Optional wireless dimming via Dialight IntelliLED controls (up to 36klm only) |

Construction:

| | |
|-----------|--|
| Housing: | A360 Die-cast aluminum |
| Hardware: | 316 stainless steel |
| Finish: | Superior epoxy and polyester dual coat finish |
| Lens: | Integrated PC Optic/Lens, Glass Lens Cover, PC Lens Cover |

Photometric Information:

| | |
|---------------|--|
| CRI: | 70 (80 optional) |
| CCT: | 5000K (cool white) 4000K (neutral white) 2200K (warm white) 2700K (warm white) - 80 CRI Amber |
| Beam pattern: | Medium - 55° Wide - 125° Very Wide - 131° x 108° Asymmetric - Forward Distribution Asymmetric Wide |

IES files: Available at www.dialight.com

All values typical unless otherwise stated (tolerance +/- 10%)

WARNING - INSTALLATION & SECONDARY RETENTION. Use of any Dialight products without proper installation (including secondary retention / netting) and periodic inspections could cause severe injury or death. Dialight recommends that all installations should use secondary retention / netting (appropriate to the installation environment) where applicable. It is the exclusive responsibility of the contractor, installer and/or end-user to: (a) determine the suitability of the product for its intended application; and, (b) ensure that the product is safely installed (with secondary retention / netting where appropriate) and in compliance with all applicable laws and regulations. To the extent permissible under applicable laws, Dialight disclaims all liability for personal injury and/or other damage resulting from any dislodgment or other dislocation of its products.

Ordering Information - F2

ProSite LED Floodlight - Non-Hazardous



| Industrial - CE / RCM | | | | | | | |
|---|----------------|---------|------|-------------------------|-----------------------|---------------|-------------------------|
| Part Number | Fixture Lumens | Wattage | lm/W | Voltage | CCT | Lens | Beam Distribution |
| 60,000lm Models - 10kA Surge Protection | | | | | | | |
| F2E-N7B8-NDEN-VGN | 65,000 | 484 | 134 | 120-277VAC / 120-250VDC | 5000k (cool white) | Integrated PC | Very Wide (131° x 108°) |
| F2E-N6B8-NDEN-VGN | 65,000 | 484 | 134 | 120-277VAC / 120-250VDC | 5000k (cool white) | Integrated PC | Wide (125°) |
| F2E-N4B8-NDEN-VGN | 65,000 | 484 | 134 | 120-277VAC / 120-250VDC | 5000k (cool white) | Integrated PC | Medium (56°) |
| F2E-7FB8-NDEN-VGN | 60,100 | 484 | 124 | 120-277VAC / 120-250VDC | 5000k (cool white) | Glass | Asymmetric |
| F2E-NJB8-NDEN-VGN | 60,500 | 484 | 125 | 120-277VAC / 120-250VDC | 5000k (cool white) | Integrated PC | Asymmetric Wide |
| F2E-N7L8-NDEN-VGN | 65,000 | 484 | 134 | 120-277VAC / 120-250VDC | 4000k (neutral white) | Integrated PC | Very Wide (131° x 108°) |
| F2E-N6L8-NDEN-VGN | 65,000 | 484 | 134 | 120-277VAC / 120-250VDC | 4000k (neutral white) | Integrated PC | Wide (125°) |
| F2E-N4L8-NDEN-VGN | 65,000 | 484 | 134 | 120-277VAC / 120-250VDC | 4000k (neutral white) | Integrated PC | Medium (56°) |
| F2E-7FL8-NDEN-VGN | 60,100 | 484 | 124 | 120-277VAC / 120-250VDC | 4000k (neutral white) | Glass | Asymmetric |
| F2E-NJL8-NDEN-VGN | 60,500 | 484 | 125 | 120-277VAC / 120-250VDC | 4000k (neutral white) | Integrated PC | Asymmetric Wide |
| Amber Models | | | | | | | |
| F2E-7FA2-EDEN-VGN | 20,500 | 461 | 44 | 120-277VAC / 120-250VDC | Amber | Glass | Asymmetric |
| 60,000lm Models - 347-415-480 VAC 10kA Surge Protection | | | | | | | |
| F2E-N7B9-NDEN-VGN | 65,000 | 499 | 130 | 347-415-480VAC | 5000k (cool white) | Integrated PC | Very Wide (131° x 108°) |
| F2E-N6B9-NDEN-VGN | 65,000 | 499 | 130 | 347-415-480VAC | 5000k (cool white) | Integrated PC | Wide (125°) |
| F2E-N4B9-NDEN-VGN | 65,000 | 499 | 130 | 347-415-480VAC | 5000k (cool white) | Integrated PC | Medium (56°) |
| F2E-7FB9-NDEN-VGN | 60,100 | 499 | 120 | 347-415-480VAC | 5000k (cool white) | Glass | Asymmetric |
| F2E-NJB9-NDEN-VGN | 60,500 | 499 | 121 | 347-415-480VAC | 5000k (cool white) | Integrated PC | Asymmetric Wide |
| F2E-N7L9-NDEN-VGN | 65,000 | 499 | 130 | 347-415-480VAC | 4000k (neutral white) | Integrated PC | Very Wide (131° x 108°) |
| F2E-N6L9-NDEN-VGN | 65,000 | 499 | 130 | 347-415-480VAC | 4000k (neutral white) | Integrated PC | Wide (125°) |
| F2E-N4L9-NDEN-VGN | 65,000 | 499 | 130 | 347-415-480VAC | 4000k (neutral white) | Integrated PC | Medium (56°) |
| F2E-7FL9-NDEN-VGN | 60,100 | 499 | 120 | 347-415-480VAC | 4000k (neutral white) | Glass | Asymmetric |
| F2E-NJL9-NDEN-VGN | 60,500 | 499 | 121 | 347-415-480VAC | 4000k (neutral white) | Integrated PC | Asymmetric Wide |

All values typical unless otherwise stated (tolerance +/- 10%).

Part numbers listed in bold are typically available in stock.

Lens - For glass lens cover change 4th character to a '7'. For PC lens cover change 4th character to a '4'. Lens option '4' and '7' not available for asymmetric wide optic.

CCT - For 2200k change 6th character to 'U'. Refer to lumen table on page 8-9 for accurate values.

PE Cell - For NEMA PE Cell Receptacle with shorting cap change 9th character to 'S'.

Mounting Bracket - Angled Bracket supplied as standard - for straight bracket change 10th character to 'F' - for heavy-duty bracket change 10th character to 'H'.

Hazardous F2 models available on request.

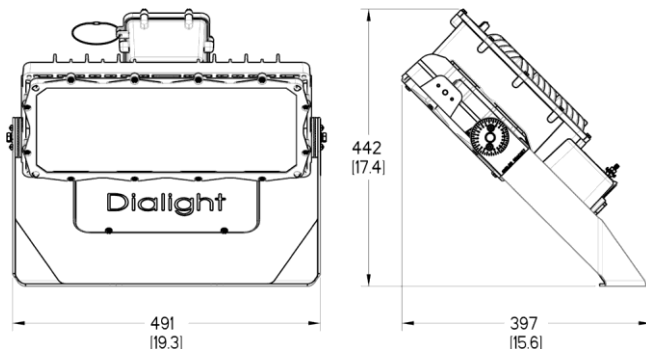
ProSite LED Floodlight - Hazardous F1 Models



Certifications & Ratings

- 10 year warranty
- ATEX/IECEX Zone 2, 21 & 22
 - Ex ec IIC T4 Gc
 - Ex tb IIIC T110°C Db
 - ITS-I 22 ATEX 29411X
 - ITS-I 22 ATEX 294111X
 - IECEX ETL 22.0001X
- IP66/67
- DNV TAE00004GM
- IK08 - Glass lens
- L70 > 150,000 hours @ 25°C ambient
- Vibration - Lloyd's test 1

Angled Bracket



Dimensions in mm [inches]
Additional dimensional drawings on pages 16-17

Mechanical Information:

| | |
|------------------|---|
| Fixture weight: | 10.9 - 13.6 kg |
| Shipping weight: | ~14.5 kg |
| EPA (m²): | 0.186 |
| Mounting: | 316 stainless steel straight bracket (all with 7.5° tilt adjustment) 316 stainless steel angled bracket Slipfitter bracket |
| Cable entry: | 2 x M25 |

Electrical Specifications:

| | |
|-----------------------|--|
| Operating voltage: | 120-277 VAC / 120-250 VDC 347-415-480 VAC |
| Operating temp: | -40°C to +65°C |
| EMC: | CISPR 15 Flicker: IEC 61000-3-3 Immunity requirements for lighting: IEC 61547 Harmonics: IEC 61000-3-2 Class C |
| Transient protection: | IEC 61000-4-5. 6kV line-line and line-ground. |
| THD: | < 20% |
| Power Factor: | > 0.9 |
| Dimming: | DALI 2.0 compatible/0-10 VDC |

Construction:

| | |
|-----------|--|
| Housing: | A360 Die-cast aluminum |
| Hardware: | 316 stainless steel |
| Finish: | Superior epoxy and polyester dual coat finish |
| Lens: | Glass |

Photometric Information:

| | |
|---------------|---|
| CRI: | 70 (80 optional) |
| CCT: | 5000K (cool white) 4000K (neutral white) 2200K (warm white) 2700K (warm white) - 80 CRI Amber |
| Beam pattern: | Medium - 55° Wide - 125° Very Wide - 131° x 108° Asymmetric - Forward Distribution |
| IES files: | Available at www.dialight.com |

All values typical unless otherwise stated (tolerance +/- 10%)

WARNING - INSTALLATION & SECONDARY RETENTION. Use of any Dialight products without proper installation (including secondary retention / netting) and periodic inspections could cause severe injury or death. Dialight recommends that all installations should use secondary retention / netting (appropriate to the installation environment) where applicable. It is the exclusive responsibility of the contractor, installer and/or end-user to: (a) determine the suitability of the product for its intended application; and, (b) ensure that the product is safely installed (with secondary retention / netting where appropriate) and in compliance with all applicable laws and regulations. To the extent permissible under applicable laws, Dialight disclaims all liability for personal injury and/or other damage resulting from any dislodgment or other dislocation of its products.

Ordering Information - F1 ProSite LED Floodlight - Hazardous



| Hazardous - ATEX/IECEX Zone 2, 21, 22 | | | | | | | |
|---------------------------------------|----------------|---------|------|-------------------------|-----------------------|-------|-------------------------|
| Part Number | Fixture Lumens | Wattage | lm/W | Voltage | CCT | Lens | Beam Distribution |
| 12,000lm Models | | | | | | | |
| F1B-77B2-BDEN-VGN | 12,500 | 81 | 154 | 120-277VAC / 120-250VDC | 5000k (cool white) | Glass | Very Wide (131° x 108°) |
| F1B-76B2-BDEN-VGN | 12,500 | 81 | 154 | 120-277VAC / 120-250VDC | 5000k (cool white) | Glass | Wide (125°) |
| F1B-74B2-BDEN-VGN | 12,500 | 81 | 154 | 120-277VAC / 120-250VDC | 5000k (cool white) | Glass | Medium (56°) |
| F1B-7FB2-BDEN-VGN | 12,200 | 81 | 151 | 120-277VAC / 120-250VDC | 5000k (cool white) | Glass | Asymmetric |
| F1B-77L2-BDEN-VGN | 12,500 | 81 | 154 | 120-277VAC / 120-250VDC | 4000k (neutral white) | Glass | Very Wide (131° x 108°) |
| F1B-76L2-BDEN-VGN | 12,500 | 81 | 154 | 120-277VAC / 120-250VDC | 4000k (neutral white) | Glass | Wide (125°) |
| F1B-74L2-BDEN-VGN | 12,500 | 81 | 154 | 120-277VAC / 120-250VDC | 4000k (neutral white) | Glass | Medium (56°) |
| F1B-7FL2-BDEN-VGN | 12,200 | 81 | 151 | 120-277VAC / 120-250VDC | 4000k (neutral white) | Glass | Asymmetric |
| 18,000lm Models | | | | | | | |
| F1B-77B2-CDEN-VGN | 18,000 | 124 | 145 | 120-277VAC / 120-250VDC | 5000k (cool white) | Glass | Very Wide (131° x 108°) |
| F1B-76B2-CDEN-VGN | 18,000 | 124 | 145 | 120-277VAC / 120-250VDC | 5000k (cool white) | Glass | Wide (125°) |
| F1B-74B2-CDEN-VGN | 18,000 | 124 | 145 | 120-277VAC / 120-250VDC | 5000k (cool white) | Glass | Medium (56°) |
| F1B-7FB2-CDEN-VGN | 17,700 | 124 | 143 | 120-277VAC / 120-250VDC | 5000k (cool white) | Glass | Asymmetric |
| F1B-77L2-CDEN-VGN | 18,000 | 124 | 145 | 120-277VAC / 120-250VDC | 4000k (neutral white) | Glass | Very Wide (131° x 108°) |
| F1B-76L2-CDEN-VGN | 18,000 | 124 | 145 | 120-277VAC / 120-250VDC | 4000k (neutral white) | Glass | Wide (125°) |
| F1B-74L2-CDEN-VGN | 18,000 | 124 | 145 | 120-277VAC / 120-250VDC | 4000k (neutral white) | Glass | Medium (56°) |
| F1B-7FL2-CDEN-VGN | 17,700 | 124 | 143 | 120-277VAC / 120-250VDC | 4000k (neutral white) | Glass | Asymmetric |
| 30,000lm Models | | | | | | | |
| F1B-77B2-FDEN-VGN | 29,900 | 234 | 128 | 120-277VAC / 120-250VDC | 5000k (cool white) | Glass | Very Wide (131° x 108°) |
| F1B-76B2-FDEN-VGN | 29,900 | 234 | 128 | 120-277VAC / 120-250VDC | 5000k (cool white) | Glass | Wide (125°) |
| F1B-74B2-FDEN-VGN | 29,900 | 234 | 128 | 120-277VAC / 120-250VDC | 5000k (cool white) | Glass | Medium (56°) |
| F1B-7FB2-FDEN-VGN | 29,200 | 234 | 125 | 120-277VAC / 120-250VDC | 5000k (cool white) | Glass | Asymmetric |
| F1B-77L2-FDEN-VGN | 29,900 | 234 | 128 | 120-277VAC / 120-250VDC | 4000k (neutral white) | Glass | Very Wide (131° x 108°) |
| F1B-76L2-FDEN-VGN | 29,900 | 234 | 128 | 120-277VAC / 120-250VDC | 4000k (neutral white) | Glass | Wide (125°) |
| F1B-74L2-FDEN-VGN | 29,900 | 234 | 128 | 120-277VAC / 120-250VDC | 4000k (neutral white) | Glass | Medium (56°) |
| F1B-7FL2-FDEN-VGN | 29,200 | 234 | 125 | 120-277VAC / 120-250VDC | 4000k (neutral white) | Glass | Asymmetric |
| Amber Models | | | | | | | |
| F1B-7FA2-BDEN-VGN | 11,700 | 226 | 52 | 120-277VAC / 120-250VDC | Amber | Glass | Asymmetric |

All values typical unless otherwise stated (tolerance +/- 10%).

Part numbers listed in bold are typically available in stock.

CCT - For 2200k change 6th character to 'U'. Refer to lumen table on page 7 for accurate values.

Mounting Bracket - Angled Bracket supplied as standard - for straight bracket change 10th character to 'F' - for heavy-duty bracket change 10th character to 'H'.

Amber options available.

DISCLAIMER. All product information provided is, to the best of Dialight's knowledge, accurate as of the date of publication. When ordering, refer to www.dialight.com for current versions of: (a) relevant product documentation (including the relevant product data sheets); (b) Dialight terms and conditions of sale; and, (c) the relevant product warranty. To the extent that any contract is deemed formed between Dialight and the purchaser of Dialight products and/or an end-user, versions of documents available at www.dialight.com as at the date of sale shall be the versions incorporated therein. In the event of any discrepancy between this document or information provided at www.dialight.com, the latter shall prevail.

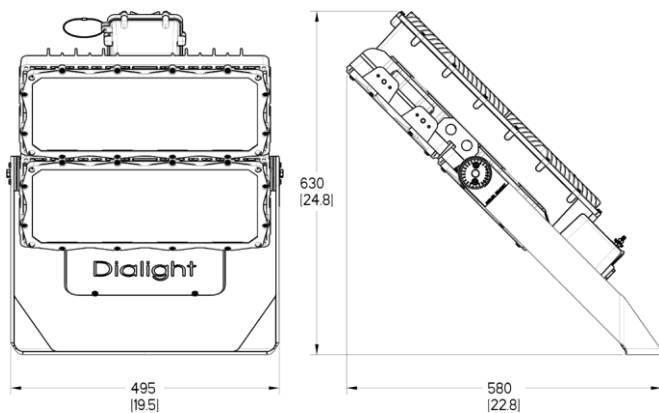
ProSite LED Floodlight - Hazardous F2 Models



Certifications & Ratings

- 10 year warranty
- ATEX/IECEX Zone 2, 21 & 22
 - Ex ec IIC T4 Gc
 - Ex tb IIIC T110°C Db
 - ITS-I 22 ATEX 29411X
 - ITS-I 22 ATEX 294111X
 - IECEX ETL 22.0001X
- IP66/67
- DNV TAE00004GM
- IK08 - Glass lens
- L70 > 150,000 hours @ 25°C ambient
- Vibration - Lloyd's test 1

Angled Bracket



Dimensions in mm [inches]
Additional dimensional drawings on pages 16-17

Mechanical Information:

| | |
|------------------|--|
| Fixture weight: | 19.5 - 24.5 kg |
| Shipping weight: | ~25.5 kg |
| EPA (m²): | 0.310 |
| Mounting: | 316 stainless steel straight bracket (all with 7.5° tilt adjustment) 316 stainless steel angled bracket |
| Cable entry: | 2 x M25 |

Electrical Specifications:

| | |
|-----------------------|--|
| Operating voltage: | 120-277 VAC / 120-250 VDC 347-415-480 VAC |
| Operating temp: | -40°C to +65°C -40°C to +55°C - 60klm |
| EMC: | CISPR 15 Flicker: IEC 61000-3-3 Immunity requirements for lighting: IEC 61547 Harmonics: IEC 61000-3-2 Class C |
| Transient protection: | IEC 61000-4-5. 6kV line-line and line-ground. |
| THD: | < 20% |
| Power Factor: | > 0.9 |
| Dimming: | DALI 2.0 compatible/0-10 VDC |

Construction:

| | |
|-----------|--|
| Housing: | A360 Die-cast aluminum |
| Hardware: | 316 stainless steel |
| Finish: | Superior epoxy and polyester dual coat finish |
| Lens: | Glass |

Photometric Information:

| | |
|---------------|---|
| CRI: | 70 (80 optional) |
| CCT: | 5000K (cool white) 4000K (neutral white) 2200K (warm white) 2700K (warm white) - 80 CRI Amber |
| Beam pattern: | Medium - 55° Wide - 125° Very Wide - 131° x 108° Asymmetric - Forward Distribution |
| IES files: | Available at www.dialight.com |

All values typical unless otherwise stated (tolerance +/- 10%)

WARNING - INSTALLATION & SECONDARY RETENTION. Use of any Dialight products without proper installation (including secondary retention / netting) and periodic inspections could cause severe injury or death. Dialight recommends that all installations should use secondary retention / netting (appropriate to the installation environment) where applicable. It is the exclusive responsibility of the contractor, installer and/or end-user to: (a) determine the suitability of the product for its intended application; and, (b) ensure that the product is safely installed (with secondary retention / netting where appropriate) and in compliance with all applicable laws and regulations. To the extent permissible under applicable laws, Dialight disclaims all liability for personal injury and/or other damage resulting from any dislodgment or other dislocation of its products.

Ordering Information - F2

ProSite LED Floodlight - Hazardous



| Hazardous - ATEX/IECEX Zone 2, 21, 22 | | | | | | | |
|---------------------------------------|----------------|---------|------|-------------------------|-----------------------|-------|-------------------------|
| Part Number | Fixture Lumens | Wattage | lm/W | Voltage | CCT | Lens | Beam Distribution |
| 60,000lm Models | | | | | | | |
| F2B-77B2-NDEN-VGN | 61,400 | 484 | 127 | 120-277VAC / 120-250VDC | 5000k (cool white) | Glass | Very Wide (131° x 108°) |
| F2B-76B2-NDEN-VGN | 61,400 | 484 | 127 | 120-277VAC / 120-250VDC | 5000k (cool white) | Glass | Wide (125°) |
| F2B-74B2-NDEN-VGN | 61,400 | 484 | 127 | 120-277VAC / 120-250VDC | 5000k (cool white) | Glass | Medium (56°) |
| F2B-7FB2-NDEN-VGN | 60,100 | 484 | 124 | 120-277VAC / 120-250VDC | 5000k (cool white) | Glass | Asymmetric |
| F2B-77L2-NDEN-VGN | 61,400 | 484 | 127 | 120-277VAC / 120-250VDC | 4000k (neutral white) | Glass | Very Wide (131° x 108°) |
| F2B-76L2-NDEN-VGN | 61,400 | 484 | 127 | 120-277VAC / 120-250VDC | 4000k (neutral white) | Glass | Wide (125°) |
| F2B-74L2-NDEN-VGN | 61,400 | 484 | 127 | 120-277VAC / 120-250VDC | 4000k (neutral white) | Glass | Medium (56°) |
| F2B-7FL2-NDEN-VGN | 60,100 | 484 | 124 | 120-277VAC / 120-250VDC | 4000k (neutral white) | Glass | Asymmetric |
| Amber Models | | | | | | | |
| F2B-7FA2-EDEN-VGN | 20,500 | 461 | 44 | 120-277VAC / 120-250VDC | Amber | Glass | Asymmetric |

All values typical unless otherwise stated (tolerance +/- 10%).
 CCT - For 2700k change 6th character to 'W'. For 2200k change 6th character to 'U'. Refer to lumen table on page 10 for accurate values.
 Mounting Bracket - Angled Bracket supplied as standard - for straight bracket change 10th character to 'F'.

Lumen Tables

| Lumen Output Family | Wattage (120-277 VAC) | Wattage (347-480 VAC) | Optic | PC Optic Only | | | | Glass Lens | | | | Polycarbonate Lens | | | |
|---------------------|-----------------------|-----------------------|----------------------|---------------|--------|--------|--------|------------|--------|--------|--------|--------------------|--------|--------|--------|
| | | | | 5000K | 4000K | 2700K | 2200K | 5000K | 4000K | 2700K | 2200K | 5000K | 4000K | 2700K | 2200K |
| 12,000 | 81 | 84 | Medium (NEMA 4) | 13,200 | 13,200 | 10,200 | 10,400 | 12,500 | 12,500 | 9,500 | 9,700 | 11,700 | 11,700 | 8,800 | 9,000 |
| | | | Wide (NEMA 6) | 13,200 | 13,200 | 10,200 | 10,400 | 12,500 | 12,500 | 9,500 | 9,700 | 11,700 | 11,700 | 8,800 | 9,000 |
| | | | Very Wide (NEMA 7x6) | 13,200 | 13,200 | 10,200 | 10,400 | 12,500 | 12,500 | 9,500 | 9,700 | 11,700 | 11,700 | 8,800 | 9,000 |
| | | | Asymmetric | - | - | - | - | 11,600 | 11,600 | 8,600 | 8,800 | 10,800 | 10,800 | 7,900 | 8,100 |
| | | | Asymmetric Wide | 12,300 | 12,300 | 9,300 | 9,500 | - | - | - | - | - | - | - | - |
| 18,000 | 124 | 128 | Medium (NEMA 4) | 19,100 | 19,100 | 14,800 | 15,100 | 18,000 | 18,000 | 13,800 | 14,000 | 17,000 | 17,000 | 12,700 | 13,000 |
| | | | Wide (NEMA 6) | 19,100 | 19,100 | 14,800 | 15,100 | 18,000 | 18,000 | 13,800 | 14,000 | 17,000 | 17,000 | 12,700 | 13,000 |
| | | | Very Wide (NEMA 7x6) | 19,100 | 19,100 | 14,800 | 15,100 | 18,000 | 18,000 | 13,800 | 14,000 | 17,000 | 17,000 | 12,700 | 13,000 |
| | | | Asymmetric | - | - | - | - | 16,700 | 16,700 | 12,400 | 12,700 | 15,700 | 15,700 | 11,400 | 11,700 |
| | | | Asymmetric Wide | 17,800 | 17,800 | 13,500 | 13,800 | - | - | - | - | - | - | - | - |
| 24,000 | 175 | 179 | Medium (NEMA 4) | 25,000 | 25,000 | 19,400 | 19,800 | 23,600 | 23,600 | 18,000 | 18,400 | 22,300 | 22,300 | 16,600 | 17,000 |
| | | | Wide (NEMA 6) | 25,000 | 25,000 | 19,400 | 19,800 | 23,600 | 23,600 | 18,000 | 18,400 | 22,300 | 22,300 | 16,600 | 17,000 |
| | | | Very Wide (NEMA 7x6) | 25,000 | 25,000 | 19,400 | 19,800 | 23,600 | 23,600 | 18,000 | 18,400 | 22,300 | 22,300 | 16,600 | 17,000 |
| | | | Asymmetric | - | - | - | - | 21,900 | 21,900 | 16,300 | 16,600 | 20,500 | 20,500 | 14,900 | 15,300 |
| | | | Asymmetric Wide | 23,300 | 23,300 | 17,600 | 18,000 | - | - | - | - | - | - | - | - |
| F1 30,000 | 234 | 237 | Medium (NEMA 4) | 31,600 | 31,600 | 24,500 | 25,000 | 29,900 | 29,900 | 22,800 | 23,200 | 28,100 | 28,100 | 21,000 | 21,500 |
| | | | Wide (NEMA 6) | 31,600 | 31,600 | 24,500 | 25,000 | 29,900 | 29,900 | 22,800 | 23,200 | 28,100 | 28,100 | 21,000 | 21,500 |
| | | | Very Wide (NEMA 7x6) | 31,600 | 31,600 | 24,500 | 25,000 | 29,900 | 29,900 | 22,800 | 23,200 | 28,100 | 28,100 | 21,000 | 21,500 |
| | | | Asymmetric | - | - | - | - | 27,700 | 27,700 | 20,500 | 21,000 | 25,900 | 25,900 | 18,800 | 19,300 |
| | | | Asymmetric Wide | 29,400 | 29,400 | 22,300 | 22,800 | - | - | - | - | - | - | - | - |
| F2 30,000 | 200 | 206 | Medium (NEMA 4) | 32,000 | 32,000 | 24,800 | 25,300 | 30,200 | 30,200 | 23,000 | 23,500 | 28,500 | 28,500 | 21,300 | 21,800 |
| | | | Wide (NEMA 6) | 32,000 | 32,000 | 24,800 | 25,300 | 30,200 | 30,200 | 23,000 | 23,500 | 28,500 | 28,500 | 21,300 | 21,800 |
| | | | Very Wide (NEMA 7x6) | 32,000 | 32,000 | 24,800 | 25,300 | 30,200 | 30,200 | 23,000 | 23,500 | 28,500 | 28,500 | 21,300 | 21,800 |
| | | | Asymmetric | - | - | - | - | 28,000 | 28,000 | 20,800 | 21,300 | 26,200 | 26,200 | 19,000 | 19,500 |
| | | | Asymmetric Wide | 29,800 | 29,800 | 22,600 | 23,000 | - | - | - | - | - | - | - | - |
| 36,000 | 234 | 241 | Medium (NEMA 4) | 37,500 | 37,500 | 29,100 | 29,600 | 35,400 | 35,400 | 27,000 | 27,600 | 33,400 | 33,400 | 24,900 | 25,500 |
| | | | Wide (NEMA 6) | 37,500 | 37,500 | 29,100 | 29,600 | 35,400 | 35,400 | 27,000 | 27,600 | 33,400 | 33,400 | 24,900 | 25,500 |
| | | | Very Wide (NEMA 7x6) | 37,500 | 37,500 | 29,100 | 29,600 | 35,400 | 35,400 | 27,000 | 27,600 | 33,400 | 33,400 | 24,900 | 25,500 |
| | | | Asymmetric | - | - | - | - | 32,800 | 32,800 | 24,400 | 24,900 | 30,800 | 30,800 | 22,300 | 22,900 |
| | | | Asymmetric Wide | 34,900 | 34,900 | 26,400 | 27,000 | - | - | - | - | - | - | - | - |
| 48,000 | 346 | 357 | Medium (NEMA 4) | 51,000 | 51,000 | 39,500 | 40,300 | 48,200 | 48,200 | 36,700 | 37,500 | 45,400 | 45,400 | 33,900 | 34,700 |
| | | | Wide (NEMA 6) | 51,000 | 51,000 | 39,500 | 40,300 | 48,200 | 48,200 | 36,700 | 37,500 | 45,400 | 45,400 | 33,900 | 34,700 |
| | | | Very Wide (NEMA 7x6) | 51,000 | 51,000 | 39,500 | 40,300 | 48,200 | 48,200 | 36,700 | 37,500 | 45,400 | 45,400 | 33,900 | 34,700 |
| | | | Asymmetric | - | - | - | - | 44,600 | 44,600 | 33,200 | 33,900 | 41,800 | 41,800 | 30,300 | 31,100 |
| | | | Asymmetric Wide | 47,400 | 47,400 | 36,000 | 36,700 | - | - | - | - | - | - | - | - |
| 60,000 | 484 | 499 | Medium (NEMA 4) | 65,000 | 65,000 | 50,400 | 51,400 | 61,400 | 61,400 | 46,800 | 47,800 | 57,900 | 57,900 | 43,200 | 44,200 |
| | | | Wide (NEMA 6) | 65,000 | 65,000 | 50,400 | 51,400 | 61,400 | 61,400 | 46,800 | 47,800 | 57,900 | 57,900 | 43,200 | 44,200 |
| | | | Very Wide (NEMA 7x6) | 65,000 | 65,000 | 50,400 | 51,400 | 61,400 | 61,400 | 46,800 | 47,800 | 57,900 | 57,900 | 43,200 | 44,200 |
| | | | Asymmetric | - | - | - | - | 56,900 | 56,900 | 42,300 | 43,200 | 53,300 | 53,300 | 38,700 | 39,700 |
| | | | Asymmetric Wide | 60,500 | 60,500 | 45,800 | 46,800 | - | - | - | - | - | - | - | - |

| Lumen Family | Wattage (120-277 VAC) | Wattage (347-480 VAC) | Optic | PC Optic Only | | Glass Lens | | Polycarbonate Lens | |
|--------------|-----------------------|-----------------------|----------------------|---------------|--------|------------|--------|--------------------|--------|
| | | | | Amber | | Amber | | Amber | |
| F1 12,000 | 226 | 230 | Medium (NEMA 4) | | 13,000 | | 12,300 | | 11,600 |
| | | | Wide (NEMA 6) | | 13,000 | | 12,300 | | 11,600 |
| | | | Very Wide (NEMA 7x6) | | 13,000 | | 12,300 | | 11,600 |
| | | | Asymmetric | | - | | 11,600 | | 10,400 |
| | | | Asymmetric Wide | | 12,400 | | - | | - |
| F2 24,000 | 461 | 485 | Medium (NEMA 4) | | 23,000 | | 21,700 | | 20,500 |
| | | | Wide (NEMA 6) | | 23,000 | | 21,700 | | 20,500 |
| | | | Very Wide (NEMA 7x6) | | 23,000 | | 21,700 | | 20,500 |
| | | | Asymmetric | | - | | 20,500 | | 18,400 |
| | | | Asymmetric Wide | | 21,900 | | - | | - |

Inrush Current

| F1 Models | | | | | |
|--------------------------------------|------|------|-----|-----|------|
| VAC | 120 | 240 | 347 | 415 | 480 |
| Peak inrush current (A) | 7.7 | 15.4 | 4.1 | 4.9 | 5.7 |
| Duration, T50 (ms) | 1.5 | 1.5 | 1.5 | 1.5 | 1.5 |
| F2 Models (30 - 36klm) | | | | | |
| Peak inrush current (A) | 7.7 | 15.4 | 4.1 | 4.9 | 5.7 |
| Duration, T50 (ms) | 1.5 | 1.5 | 1.5 | 1.5 | 1.5 |
| F2 Models (48 - 65klm & 24klm Amber) | | | | | |
| Peak inrush current (A) | 15.4 | 30.8 | 8.2 | 9.8 | 11.4 |
| Duration, T50 (ms) | 1.5 | 1.5 | 1.5 | 1.5 | 1.5 |

DISCLAIMER. All product information provided is, to the best of Dialight's knowledge, accurate as of the date of publication. When ordering, refer to www.dialight.com for current versions of: (a) relevant product documentation (including the relevant product data sheets); (b) Dialight terms and conditions of sale; and, (c) the relevant product warranty. To the extent that any contract is deemed formed between Dialight and the purchaser of Dialight products and/or an end-user, versions of documents available at www.dialight.com as at the date of sale shall be the versions incorporated therein. In the event of any discrepancy between this document or information provided at www.dialight.com, the latter shall prevail.

Maximum per Circuit Breaker

| 120 VAC | | | |
|--------------|--------|--------|--------|
| Lumen Output | 10 Amp | 16 Amp | 20 Amp |
| 12,000 | 9 | 14 | 17 |
| 18,000 | 6 | 9 | 11 |
| 24,000 | 4 | 6 | 8 |
| 30,000 F1 | 3 | 5 | 6 |
| 30,000F2 | 4 | 6 | 7 |
| 36,000 | 3 | 5 | 6 |
| 48,000 | 2 | 3 | 4 |
| 60,000 | 1 | 2 | 3 |
| 12,000 Amber | 3 | 5 | 6 |
| 24,000 Amber | 2 | 2 | 3 |

| 240 VAC | | |
|---------|--------|--------|
| 10 Amp | 16 Amp | 20 Amp |
| 17 | 28 | 35 |
| 11 | 18 | 23 |
| 8 | 13 | 16 |
| 6 | 10 | 12 |
| 7 | 11 | 14 |
| 6 | 10 | 12 |
| 4 | 7 | 8 |
| 3 | 5 | 6 |
| 6 | 10 | 13 |
| 3 | 5 | 6 |

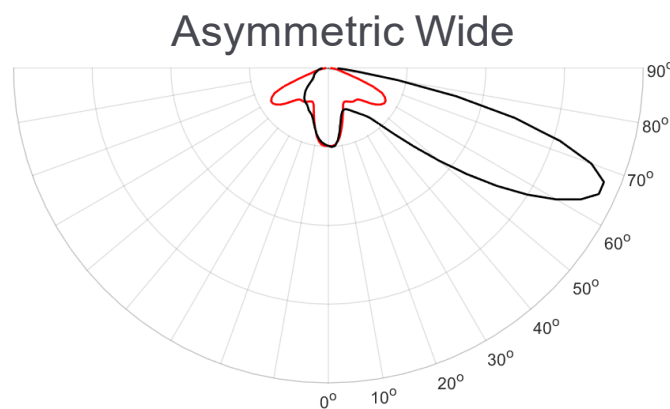
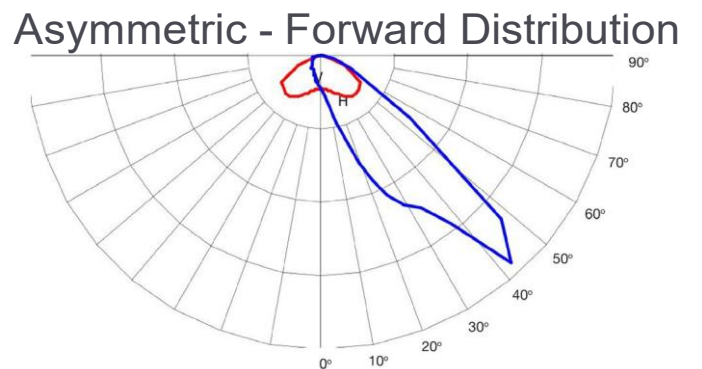
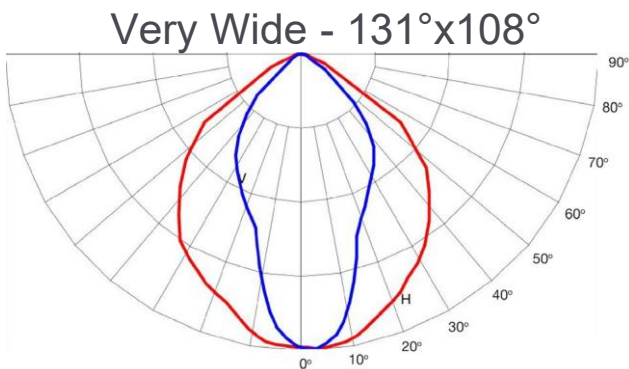
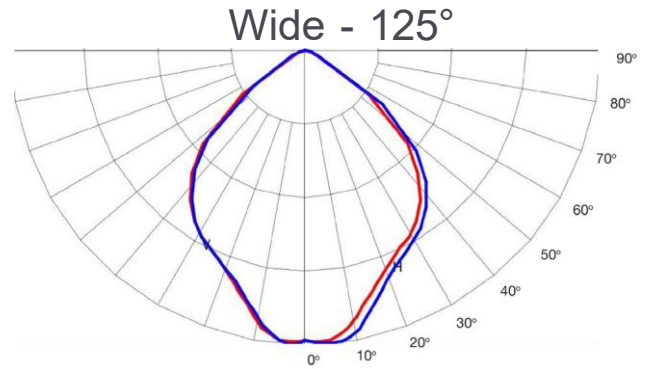
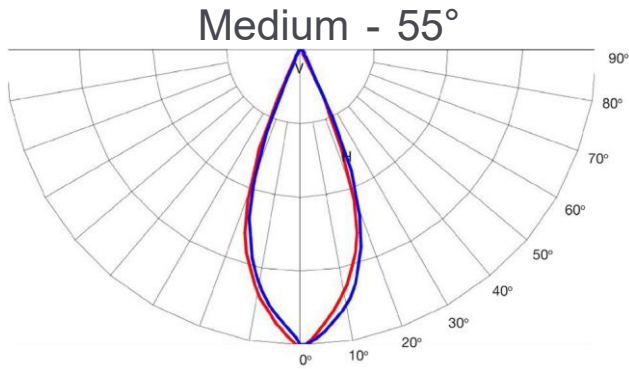
| 277 VAC | | | |
|--------------|--------|--------|--------|
| Lumen Output | 10 Amp | 16 Amp | 20 Amp |
| 12,000 | 20 | 32 | 40 |
| 18,000 | 13 | 21 | 26 |
| 24,000 | 9 | 15 | 19 |
| 30,000 F1 | 7 | 11 | 14 |
| 30,000F2 | 8 | 13 | 16 |
| 36,000 | 7 | 11 | 14 |
| 48,000 | 5 | 8 | 9 |
| 60,000 | 3 | 5 | 7 |
| 12,000 Amber | 7 | 12 | 14 |
| 24,000 Amber | 4 | 6 | 7 |

| 415 VAC | | |
|---------|--------|--------|
| 10 Amp | 16 Amp | 20 Amp |
| 29 | 47 | 58 |
| 19 | 31 | 38 |
| 14 | 22 | 27 |
| 10 | 17 | 21 |
| 12 | 19 | 24 |
| 10 | 16 | 20 |
| 7 | 11 | 14 |
| 5 | 8 | 10 |
| 11 | 17 | 21 |
| 5 | 8 | 10 |

Dialight recommends using B or C type breakers.

These tables are based on steady-state input current and nominal breaker current ratings @ 80% derating.

Beam Distribution



DISCLAIMER. All product information provided is, to the best of Dialight's knowledge, accurate as of the date of publication. When ordering, refer to www.dialight.com for current versions of: (a) relevant product documentation (including the relevant product data sheets); (b) Dialight terms and conditions of sale; and, (c) the relevant product warranty. To the extent that any contract is deemed formed between Dialight and the purchaser of Dialight products and/or an end-user, versions of documents available at www.dialight.com as at the date of sale shall be the versions incorporated therein. In the event of any discrepancy between this document or information provided at www.dialight.com, the latter shall prevail.

Lumen Maintenance Factor - F1

| F1 Floodlight 12k lm (Hours) | | | | | | | | | |
|------------------------------|------|-------|-------|-------|-------|-------|-------|--------|--------|
| Ambient | 0 | 15000 | 30000 | 45000 | 60000 | 75000 | 90000 | 100000 | 150000 |
| 25°C | 100% | 98% | 97% | 96% | 96% | 95% | 94% | 93% | 91% |
| 30°C | 99% | 97% | 96% | 95% | 95% | 94% | 93% | 92% | 90% |
| 35°C | 98% | 96% | 96% | 95% | 95% | 94% | 93% | 92% | 90% |
| 40°C | 98% | 96% | 95% | 94% | 94% | 93% | 92% | 91% | 89% |
| 45°C | 97% | 95% | 94% | 93% | 93% | 92% | 91% | 90% | 88% |
| 50°C | 96% | 94% | 94% | 93% | 93% | 92% | 91% | 90% | 88% |
| 55°C | 96% | 94% | 93% | 92% | 91% | 90% | 90% | 89% | 87% |
| 60°C | 95% | 93% | 92% | 91% | 91% | 90% | 89% | 89% | 86% |
| 65°C | 94% | 92% | 92% | 91% | 90% | 89% | 88% | 88% | 85% |

| F1 Floodlight 18k lm (Hours) | | | | | | | | | |
|------------------------------|------|-------|-------|-------|-------|-------|-------|--------|--------|
| Ambient | 0 | 15000 | 30000 | 45000 | 60000 | 75000 | 90000 | 100000 | 150000 |
| 25°C | 100% | 98% | 97% | 96% | 96% | 95% | 94% | 93% | 91% |
| 30°C | 99% | 97% | 96% | 95% | 95% | 94% | 93% | 92% | 90% |
| 35°C | 98% | 96% | 96% | 95% | 95% | 94% | 93% | 92% | 90% |
| 40°C | 98% | 96% | 95% | 94% | 94% | 93% | 92% | 91% | 89% |
| 45°C | 97% | 95% | 94% | 93% | 93% | 92% | 91% | 90% | 88% |
| 50°C | 96% | 94% | 94% | 93% | 93% | 92% | 91% | 90% | 88% |
| 55°C | 96% | 94% | 93% | 92% | 91% | 90% | 90% | 89% | 87% |
| 60°C | 95% | 93% | 92% | 91% | 91% | 90% | 89% | 89% | 86% |
| 65°C | 94% | 92% | 92% | 91% | 90% | 89% | 88% | 88% | 85% |

| F1 Floodlight 30k lm (Hours) | | | | | | | | | |
|------------------------------|------|-------|-------|-------|-------|-------|-------|--------|--------|
| Ambient | 0 | 15000 | 30000 | 45000 | 60000 | 75000 | 90000 | 100000 | 150000 |
| 25°C | 100% | 98% | 95% | 93% | 91% | 89% | 87% | 85% | 79% |
| 30°C | 99% | 97% | 94% | 92% | 90% | 88% | 86% | 84% | 78% |
| 35°C | 98% | 96% | 93% | 91% | 89% | 87% | 85% | 83% | 77% |
| 40°C | 97% | 94% | 92% | 90% | 88% | 85% | 83% | 82% | 76% |
| 45°C | 96% | 93% | 91% | 88% | 86% | 84% | 82% | 81% | 74% |
| 50°C | 94% | 92% | 90% | 87% | 85% | 83% | 81% | 79% | 72% |
| 55°C | 93% | 91% | 88% | 86% | 84% | 81% | 79% | 78% | 71% |
| 60°C | 92% | 90% | 87% | 85% | 82% | 80% | 78% | 76% | 70% |
| 65°C | 91% | 88% | 86% | 84% | 81% | 79% | 77% | 75% | 68% |

DISCLAIMER. All product information provided is, to the best of Dialight's knowledge, accurate as of the date of publication. When ordering, refer to www.dialight.com for current versions of: (a) relevant product documentation (including the relevant product data sheets); (b) Dialight terms and conditions of sale; and, (c) the relevant product warranty. To the extent that any contract is deemed formed between Dialight and the purchaser of Dialight products and/or an end-user, versions of documents available at www.dialight.com as at the date of sale shall be the versions incorporated therein. In the event of any discrepancy between this document or information provided at www.dialight.com, the latter shall prevail.

Lumen Maintenance Factor - F2

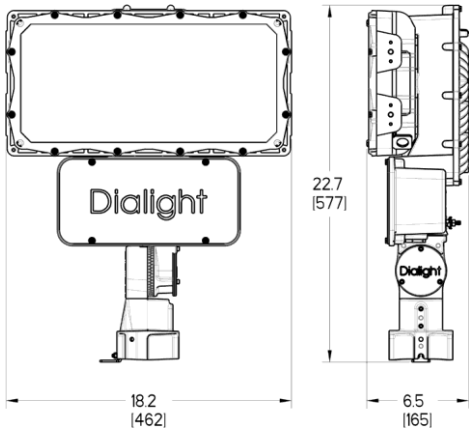
| F2 Floodlight 36k lm (Hours) | | | | | | | | | |
|------------------------------|------|-------|-------|-------|-------|-------|-------|--------|--------|
| Ambient | 0 | 15000 | 30000 | 45000 | 60000 | 75000 | 90000 | 100000 | 150000 |
| 25°C | 100% | 98% | 97% | 96% | 96% | 95% | 94% | 93% | 91% |
| 30°C | 99% | 97% | 96% | 96% | 95% | 94% | 93% | 93% | 90% |
| 35°C | 98% | 97% | 96% | 95% | 94% | 93% | 92% | 92% | 89% |
| 40°C | 98% | 96% | 95% | 94% | 93% | 93% | 92% | 91% | 89% |
| 45°C | 97% | 95% | 94% | 94% | 93% | 92% | 91% | 91% | 88% |
| 50°C | 96% | 94% | 94% | 93% | 92% | 91% | 90% | 90% | 87% |
| 55°C | 96% | 94% | 93% | 92% | 91% | 90% | 90% | 89% | 87% |
| 60°C | 95% | 93% | 92% | 91% | 91% | 90% | 89% | 88% | 86% |
| 65°C | 94% | 92% | 92% | 91% | 90% | 89% | 88% | 88% | 85% |

| F2 Floodlight 60k lm (Hours) | | | | | | | | | |
|------------------------------|------|-------|-------|-------|-------|-------|-------|--------|--------|
| Ambient | 0 | 15000 | 30000 | 45000 | 60000 | 75000 | 90000 | 100000 | 150000 |
| 25°C | 100% | 98% | 95% | 93% | 91% | 89% | 87% | 85% | 79% |
| 30°C | 99% | 96% | 94% | 92% | 90% | 88% | 86% | 84% | 78% |
| 35°C | 98% | 95% | 93% | 91% | 88% | 86% | 84% | 83% | 76% |
| 40°C | 96% | 94% | 92% | 89% | 87% | 85% | 83% | 81% | 75% |
| 45°C | 95% | 93% | 90% | 88% | 86% | 83% | 81% | 80% | 73% |
| 50°C | 94% | 91% | 89% | 87% | 84% | 82% | 80% | 78% | 72% |
| 55°C | 93% | 90% | 88% | 85% | 83% | 80% | 78% | 77% | 70% |

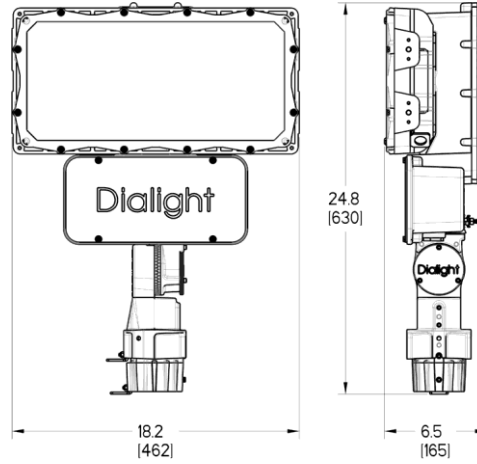
DISCLAIMER. All product information provided is, to the best of Dialight's knowledge, accurate as of the date of publication. When ordering, refer to www.dialight.com for current versions of: (a) relevant product documentation (including the relevant product data sheets); (b) Dialight terms and conditions of sale; and, (c) the relevant product warranty. To the extent that any contract is deemed formed between Dialight and the purchaser of Dialight products and/or an end-user, versions of documents available at www.dialight.com as at the date of sale shall be the versions incorporated therein. In the event of any discrepancy between this document or information provided at www.dialight.com, the latter shall prevail.

Dimensional Drawings

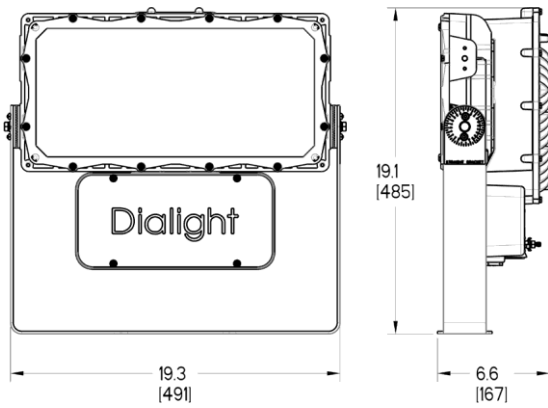
F1 Slipfitter Bracket - UL 1598/A
(7.5° tilt adjustment)



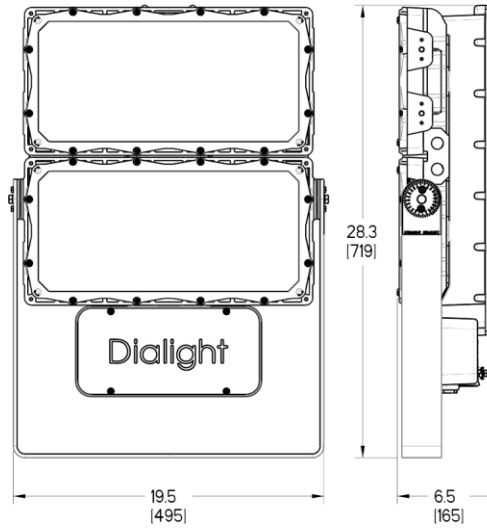
F1 Slipfitter Bracket - UL 844 (CID2 Only)
(7.5° tilt adjustment)



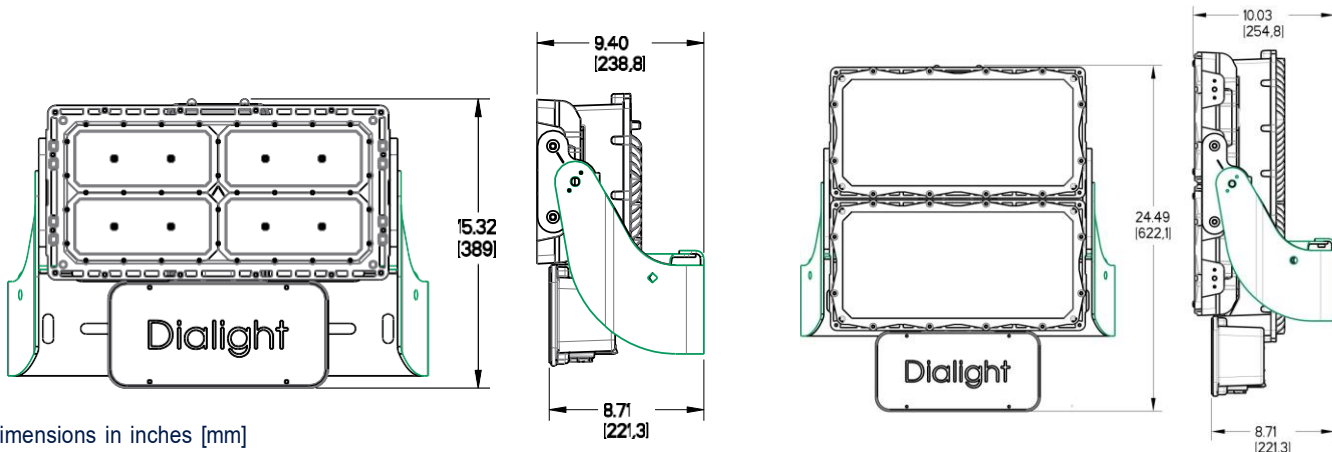
F1 Straight Bracket
(7.5° tilt adjustment)



F2 Straight Bracket
(7.5° tilt adjustment)



Prosrite Floodlight Heavy Duty Bracket

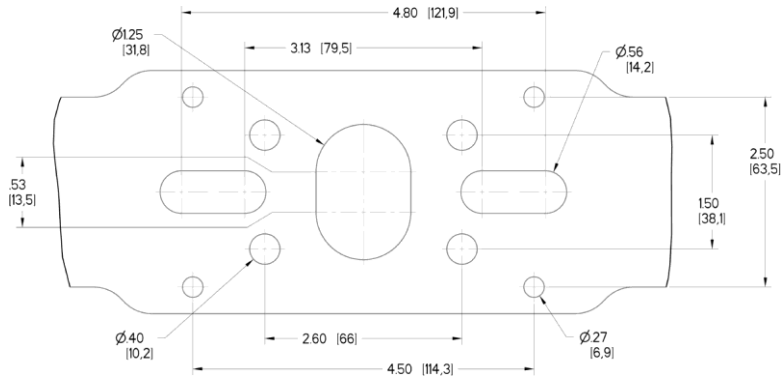


Dimensions in inches [mm]

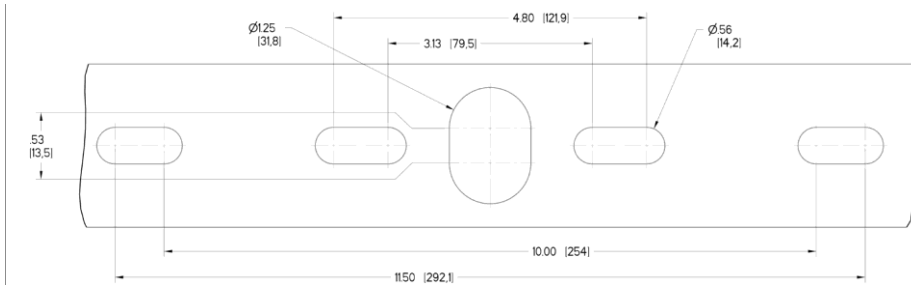
DISCLAIMER. All product information provided is, to the best of Dialight's knowledge, accurate as of the date of publication. When ordering, refer to www.dialight.com for current versions of: (a) relevant product documentation (including the relevant product data sheets); (b) Dialight terms and conditions of sale; and, (c) the relevant product warranty. To the extent that any contract is deemed formed between Dialight and the purchaser of Dialight products and/or an end-user, versions of documents available at www.dialight.com as at the date of sale shall be the versions incorporated therein. In the event of any discrepancy between this document or information provided at www.dialight.com, the latter shall prevail.

Dimensional Drawings

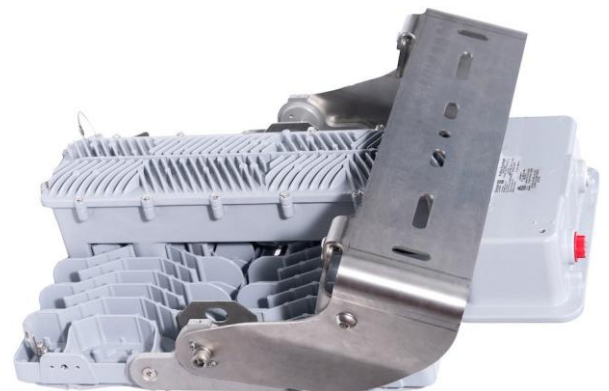
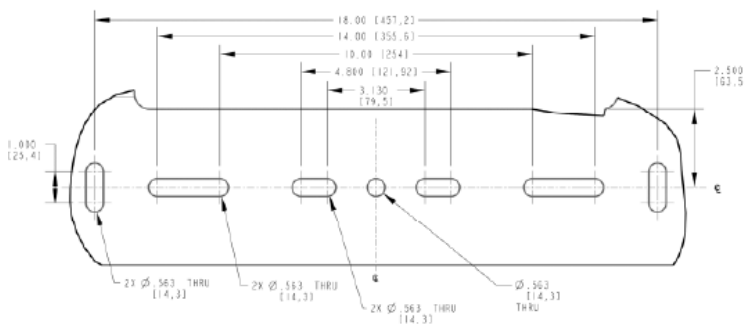
F1 Mounting Bracket



F2 Mounting Bracket



F1 and F2 Heavy-Duty Bracket



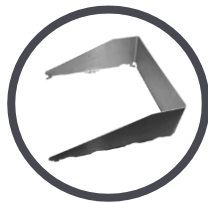
Dimensions in inches [mm]

DISCLAIMER. All product information provided is, to the best of Dialight's knowledge, accurate as of the date of publication. When ordering, refer to www.dialight.com for current versions of: (a) relevant product documentation (including the relevant product data sheets); (b) Dialight terms and conditions of sale; and, (c) the relevant product warranty. To the extent that any contract is deemed formed between Dialight and the purchaser of Dialight products and/or an end-user, versions of documents available at www.dialight.com as at the date of sale shall be the versions incorporated therein. In the event of any discrepancy between this document or information provided at www.dialight.com, the latter shall prevail.

Accessories



F1NVISOR
• F1 visor NEMA optics



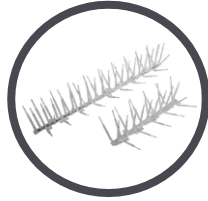
F2NVISOR
• F2 visor NEMA optics



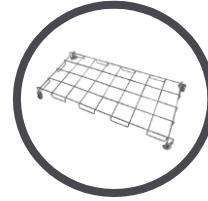
F2AVISOR
• F2 visor asymmetric optics
• Not suitable for asymmetric wide optic



H6XCAB72¹
• 72" stainless steel safety rope
• Kit includes: (1) cable
H6XCAB60¹
• 60" stainless steel safety rope
• Kit includes: (1) cable



F1SPIKES
F2SPIKES
• Bird spikes



FLWG
• Wire guard
• Kit includes (1) assembly



SLPC01R
• Photocell, 105-305 VAC
SLPC02R
• Photocell, 312-382 VAC
SLPC03R
• Photocell, 432-528 VAC

¹F1 models require 1 cable per unit. F2 models require 2 cables per unit.

Replacements*

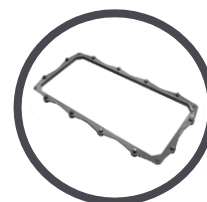
| Replacement Power Supplies | |
|----------------------------|-------------------------------|
| Part Number | Description |
| F1PS2B | 120-277V Power Supply, 12k lm |
| F1PS2C | 120-277V Power Supply, 18k lm |
| F1PS2E | 120-277V Power Supply, 24k lm |
| F1PS2F | 120-277V Power Supply, 30k lm |
| F2PS2N | 120-277V Power Supply, 60k lm |
| F1PS5B | 347-480V Power Supply, 12k lm |
| F1PS5C | 347-480V Power Supply, 18k lm |
| F1PS5E | 347-480V Power Supply, 24k lm |
| F1PS5F | 347-480V Power Supply, 30k lm |
| F2PS5N | 347-480V Power Supply, 60k lm |



FLWIRELESS
• Wireless controls card



FL10KV277
• 10kA surge protection 100-277V
FL10KV480
• 10kA surge protection 347-480V



FLGLASSLG
• Glass lens, grey
FLPCLG
• Polycarb lens, grey
• Kit includes (1) assembly

*Replacements parts for CE models only.

DISCLAIMER. All product information provided is, to the best of Dialight's knowledge, accurate as of the date of publication. When ordering, refer to www.dialight.com for current versions of: (a) relevant product documentation (including the relevant product data sheets); (b) Dialight terms and conditions of sale; and, (c) the relevant product warranty. To the extent that any contract is deemed formed between Dialight and the purchaser of Dialight products and/or an end-user, versions of documents available at www.dialight.com as at the date of sale shall be the versions incorporated therein. In the event of any discrepancy between this document or information provided at www.dialight.com, the latter shall prevail.

Australia

108 Howe Street
Osborne Park, WA 6017
Tel: +61 (0) 8 9244 7600
Fax: +61 (0) 8 9244 7601
info@dialight.com.au

Southeast Asia

56 Kallang Pudding Road
#09 – 08 HH@Kallang
Singapore 349328
Tel: +65 6578 7271
Fax: +65 6578 7150
enquiry@dialight.com.sg

WARNING / DISCLAIMERS:

Installation & secondary retention. The use of this product without proper installation (including secondary retention / netting) and periodic inspections, could cause severe injury or death. Dialight recommends that all installations should use secondary retention / netting (appropriate to the installation environment) as applicable. Dialight products are intended for ultimate purchase, installation and operation by knowledgeable persons trained in the functional assessment, installation, use and maintenance of such products and all customers (including but not limited to end customers) are responsible for assessing the suitability of Dialight products for any given installation requirement. It is the exclusive responsibility of the contractor, installer and/or end-user to: (a) determine the suitability of the product for its intended application; and, (b) ensure that the product is safely installed (with secondary retention / netting as appropriate) and in compliance with all applicable laws and regulations.

Product specifications & warranties. All product information provided is, to the best of Dialight's knowledge, accurate as of the date of publication. All values and performance data herein are design or typical values when measured under laboratory conditions. The information herein is subject to change without notice. The products / software detailed herein are subject to applicable warranties and terms and conditions of use/purchase. Unless agreed otherwise in writing by an authorized representative of Dialight, Dialight does not represent that its products are fit for any particular purpose and accepts no liability for the installation and/or unauthorised use of its products. When ordering, refer to www.dialight.com for current versions of: (a) relevant product documentation (including relevant product data sheets); (b) Dialight terms and conditions of sale; and, (c) the relevant product warranties. To the extent that any contract is deemed formed between Dialight and the purchaser of Dialight products and/or an end-user, versions of documents available at www.dialight.com as at the date of sale shall be the versions incorporated therein. In the event of any discrepancy between this document and information provided at www.dialight.com, the latter shall prevail.

Exclusion of liability. To the extent permissible under the relevant law, Dialight disclaims all liability for personal injury and/or other damage resulting from any dislodgment or other dislocation of its products. Whilst Dialight has used its reasonable endeavours to ensure the completeness and accuracy of information herein, Dialight does not assume any liability for damages resulting from use of this information or for any third-party representations made in relation to Dialight products.



DuroSite[®] LED Floodlight

Technical Specification Sheet - APAC

DuroSite® LED Floodlight - FA Series

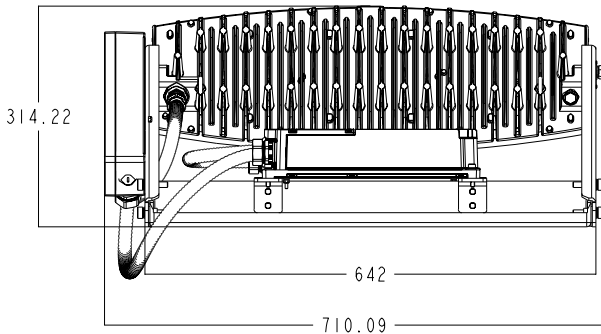
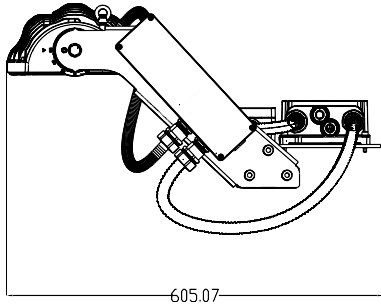
FA Models



Certifications & Ratings

- 5 year warranty
- CE / ENEC / RCM
- IP66
- IK10
- L70 > 125,000hrs @ 50°C ambient
- Vibration to ANSI C136.31

FA Series



Dimensions in mm

Additional dimensional drawings on page 7

Mechanical Information:

| | |
|------------------------|------------------------------------|
| Fixture weight: | 23.0 kg (includes driver) |
| Shipping weight: | 31.0 kg |
| EPA (m ²): | 0.201 |
| Mounting: | 316 stainless steel swivel bracket |
| Operating temp: | -20°C to +50°C |

Construction Information:

| | |
|-----------|-------------------------------|
| Housing: | A360 Die-cast aluminum |
| Hardware: | 316 Stainless Steel |
| Finish: | AkzoNobel Premium Powder Coat |
| Lens: | PC Optic/Lens |

Electrical Specifications - Driver: NFS-600S210BC

| | |
|--|---|
| Operating voltage: | 220-480-VAC, 50/60Hz |
| Maximum distance for remote driver applications: | 100m |
| Driver Weight: | 4.6 kg |
| Driver EMC: | EN IEC 55015:2019+A11 EN IEC 61547:2023 EN IEC 61000 3-2:2019+A1 EN 61000 3-3:2013+A1+A2 |
| AC Surge Immunity: | 20kV line-line & line-ground per IEC 61000-4-5 |
| Output protection: | Light engine connections fitted with a 4kV (Uoc), 1.4kV (Up), IEC 61643-11 protection device |
| THD: | < 20% |
| Power Factor: | > 0.9 |

Photometric Information:

| | |
|---------------|---|
| CRI: | 70 |
| CCT: | 5000K (cool white) 4000K (neutral white) 2700K (warm white) 2200K (warm white) |
| Beam pattern: | Very Narrow - 10° Narrow - 20° Medium - 40° Asymmetric |

All values typical unless otherwise stated (tolerance +/- 10%)

WARNING - INSTALLATION & SECONDARY RETENTION. Use of any Dialight products without proper installation (including secondary retention / netting) and periodic inspections could cause severe injury or death. Dialight recommends that all installations should use secondary retention / netting (appropriate to the installation environment) where applicable. It is the exclusive responsibility of the contractor, installer and/or end-user to: (a) determine the suitability of the product for its intended application; and, (b) ensure that the product is safely installed (with secondary retention / netting where appropriate) and in compliance with all applicable laws and regulations. To the extent permissible under applicable laws, Dialight disclaims all liability for personal injury and/or other damage resulting from any dislodgment or other dislocation of its products.

DuroSite® LED Floodlight - FB Series

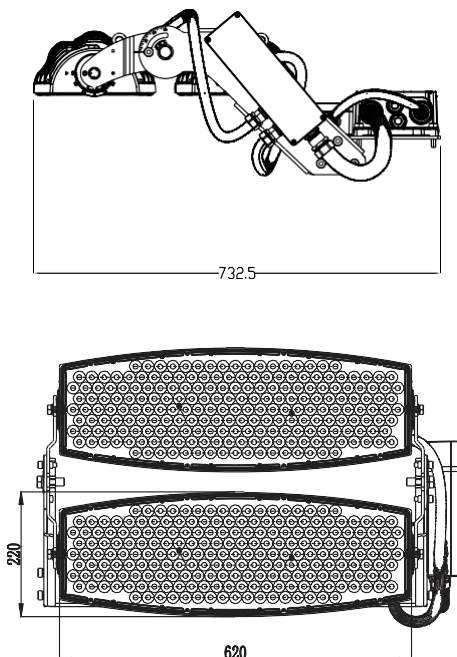
FB Models



Certifications & Ratings

- 5 year warranty
- CE / ENEC / RCM
- IP66
- IK10
- L70 > 125,000hrs @ 50°C ambient
- Vibration to ANSI C136.31

FB Series



Dimensions in mm

Additional dimensional drawings on page 8

WARNING - INSTALLATION & SECONDARY RETENTION. Use of any Dialight products without proper installation (including secondary retention / netting) and periodic inspections could cause severe injury or death. Dialight recommends that all installations should use secondary retention / netting (appropriate to the installation environment) where applicable. It is the exclusive responsibility of the contractor, installer and/or end-user to: (a) determine the suitability of the product for its intended application; and, (b) ensure that the product is safely installed (with secondary retention / netting where appropriate) and in compliance with all applicable laws and regulations. To the extent permissible under applicable laws, Dialight disclaims all liability for personal injury and/or other damage resulting from any dislodgment or other dislocation of its products.

Mechanical Information:

| | |
|------------------------|------------------------------------|
| Fixture weight: | 35.6 kg (includes driver) |
| Shipping weight: | 44.6 kg |
| EPA (m ²): | 0.279 |
| Mounting: | 316 stainless steel swivel bracket |
| Operating temp: | -20°C to +50°C |

Construction Information:

| | |
|-----------|-------------------------------|
| Housing: | A360 Die-cast aluminum |
| Hardware: | 316 Stainless Steel |
| Finish: | AkzoNobel Premium Powder Coat |
| Lens: | PC Optic/Lens |

Electrical Specifications - Driver: NFS-1K2D210BC

| | |
|--|---|
| Operating voltage: | 220-480-VAC, 50/60Hz |
| Maximum distance for remote driver applications: | 100m |
| Driver Weight: | 6.6 kg |
| Driver EMC: | EN IEC 55015:2019+A11 EN IEC 61547:2023 EN IEC 61000 3-2:2019+A1 EN 61000 3-3:2013+A1+A2 |
| AC Surge Immunity: | 20kV line-line & line-ground per IEC 61000-4-5 |
| Output protection: | Light engine connections fitted with a 4kV (Uoc), 1.4kV (Up), IEC 61643-11 protection device |
| THD: | < 20% |
| Power Factor: | > 0.9 |

Photometric Information:

| | |
|------|---|
| CRI: | 70 |
| CCT: | 5000K (cool white) 4000K (neutral white) 2700K (warm white) 2200K (warm white) |

| | |
|---------------|---|
| Beam pattern: | Very Narrow - 10° Narrow - 20° Medium - 40° Asymmetric |
|---------------|---|

All values typical unless otherwise stated (tolerance +/- 10%)

Ordering Information

DuroSite® LED Floodlight



| Industrial - CE / RCM | | | | | |
|---|----------------|---------|------|--------------|------------|
| Part Number | Fixture Lumens | Wattage | lm/W | CCT/CRI | Optic |
| FA Models - 220-277VAC and 415-480VAC (2-phase) | | | | | |
| F AE-ABE1 | 90,000 | 600 | 150 | 5000K 70CRI | Asymmetric |
| F AE-ALE1 | 90,000 | 600 | 150 | 4000K 70 CRI | Asymmetric |
| F AE-AWE1 | 80,000 | 600 | 133 | 2700K 70 CRI | Asymmetric |
| F AE-AUE1 | 72,000 | 600 | 120 | 2200K 70 CRI | Asymmetric |
| FB Models - 220-277VAC | | | | | |
| F BE-ABE2 | 180,000 | 1,200 | 150 | 5000K 70CRI | Asymmetric |
| F BE-ALE2 | 180,000 | 1,200 | 150 | 4000K 70 CRI | Asymmetric |
| F BE-AWE2 | 160,000 | 1,200 | 133 | 2700K 70 CRI | Asymmetric |
| F BE-AUE2 | 145,000 | 1,200 | 121 | 2200K 70 CRI | Asymmetric |
| FB Models - 415-480VAC (2-phase) | | | | | |
| F BE-ABE4 | 180,000 | 1,200 | 150 | 5000K 70CRI | Asymmetric |
| F BE-ALE4 | 180,000 | 1,200 | 150 | 4000K 70 CRI | Asymmetric |
| F BE-AWE4 | 160,000 | 1,200 | 133 | 2700K 70 CRI | Asymmetric |
| F BE-AUE4 | 145,000 | 1,200 | 121 | 2200K 70 CRI | Asymmetric |

All values typical unless otherwise stated (tolerance +/- 10%).
 Part numbers listed in bold are typically available in stock. Other listed part numbers are made to order.

Replacements

| FA Models | |
|---------------|----------------------------|
| Part Number | Description |
| ACSPD220-480V | AC surge protection system |
| FA-DCSPD | DC surge protection system |
| NFS-600S210BC | 220-480VAC 600W Driver |

| FB Models | |
|---------------|---|
| Part Number | Description |
| ACSPD220-277V | AC surge protection system - 220-277VAC |
| ACSPD347-480V | AC surge protection system - 347-480VAC |
| FB-DCSPD | DC surge protection system - FB Models |
| NFS-1K2D210BC | 220-480VAC 1200W Driver |

Accessories



- H6XCAB72¹**
- 72" stainless steel safety rope
 - Kit includes: (1) cable
- H6XCAB60¹**
- 60" stainless steel safety rope
 - Kit includes: (1) cable

FA and FB models require 2 cables per unit

DISCLAIMER. All product information provided is, to the best of Dialight's knowledge, accurate as of the date of publication. When ordering, refer to www.dialight.com for current versions of: (a) relevant product documentation (including the relevant product data sheets); (b) Dialight terms and conditions of sale; and, (c) the relevant product warranty. To the extent that any contract is deemed formed between Dialight and the purchaser of Dialight products and/or an end-user, versions of documents available at www.dialight.com as at the date of sale shall be the versions incorporated therein. In the event of any discrepancy between this document or information provided at www.dialight.com, the latter shall prevail.

Lumen Table

| Wattage | Optic | 5000K | 4000K | 2700K | 2200K |
|---------|------------|---------|---------|---------|---------|
| 600 | 10° | 80,000 | 80,000 | 72,000 | 65,000 |
| | 20° | 85,000 | 85,000 | 80,000 | 68,000 |
| | 40° | 85,000 | 85,000 | 80,000 | 68,000 |
| | Asymmetric | 90,000 | 90,000 | 80,000 | 72,000 |
| 1200 | 10° | 160,000 | 160,000 | 140,000 | 127,000 |
| | 20° | 170,000 | 170,000 | 157,000 | 134,000 |
| | 40° | 170,000 | 170,000 | 157,000 | 134,000 |
| | Asymmetric | 180,000 | 180,000 | 160,000 | 145,000 |

All values typical unless otherwise stated (tolerance +/- 10%)

Inrush Current

| FA Models - 600W | | | |
|-------------------------|-----|------|------|
| VAC | 230 | 240 | 415 |
| Peak inrush current (A) | 9.1 | 9.5 | 15.4 |
| Duration, T50 (ms) | 5.4 | 5.4 | 6.4 |
| FB Models - 1200W | | | |
| VAC | 230 | 240 | 415 |
| Peak inrush current (A) | 9.7 | 10.1 | 14.2 |
| Duration, T50 (ms) | 5.4 | 5.4 | 6.4 |

Circuit Breaker

| 230 VAC | | | |
|---------|--------|--------|--------|
| Wattage | 16 Amp | 20 Amp | 32 Amp |
| 600 | 4 | 5 | 8 |
| 1,200 | 2 | 2 | 4 |
| 240 VAC | | | |
| Wattage | 16 Amp | 20 Amp | 32 Amp |
| 600 | 4 | 5 | 8 |
| 1,200 | 2 | 2 | 4 |
| 415 VAC | | | |
| Wattage | 16 Amp | 20 Amp | 32 Amp |
| 600 | 7 | 9 | 14 |
| 1,200 | 3 | 4 | 7 |

Earth Leakage

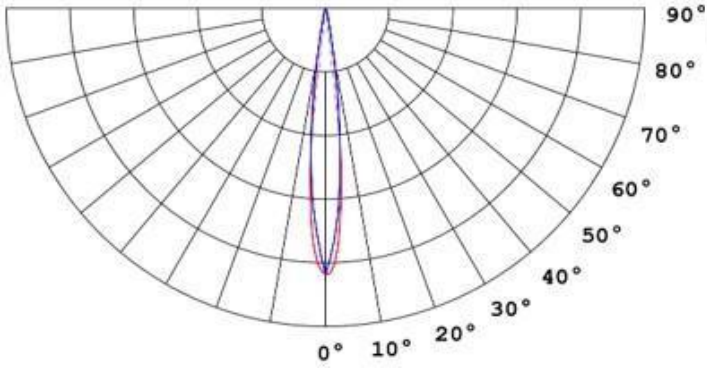
| Earth Leakage Current (mA) | FA Models | FB Models |
|----------------------------|-----------|-----------|
| 230VAC/50Hz | 0.60 | 0.94 |
| 240VAC/50Hz | 0.62 | 0.97 |
| 415VAC/50Hz | 0.62 | 0.97 |

Type C breakers are recommended.
 These tables are based on steady-state input current and nominal breaker current ratings @ 80% derating.

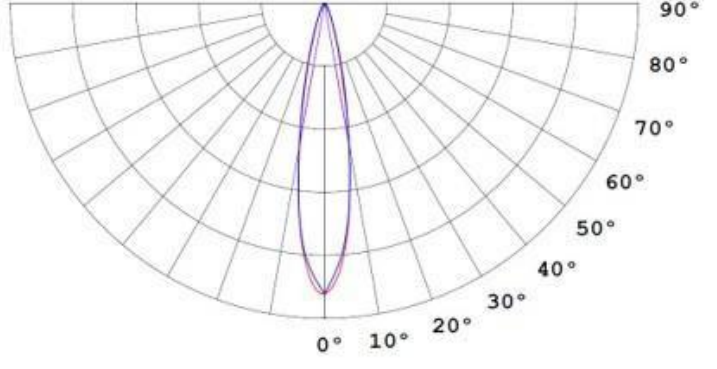
DISCLAIMER. All product information provided is, to the best of Dialight's knowledge, accurate as of the date of publication. When ordering, refer to www.dialight.com for current versions of: (a) relevant product documentation (including the relevant product data sheets); (b) Dialight terms and conditions of sale; and, (c) the relevant product warranty. To the extent that any contract is deemed formed between Dialight and the purchaser of Dialight products and/or an end-user, versions of documents available at www.dialight.com as at the date of sale shall be the versions incorporated therein. In the event of any discrepancy between this document or information provided at www.dialight.com, the latter shall prevail.

Beam Distribution

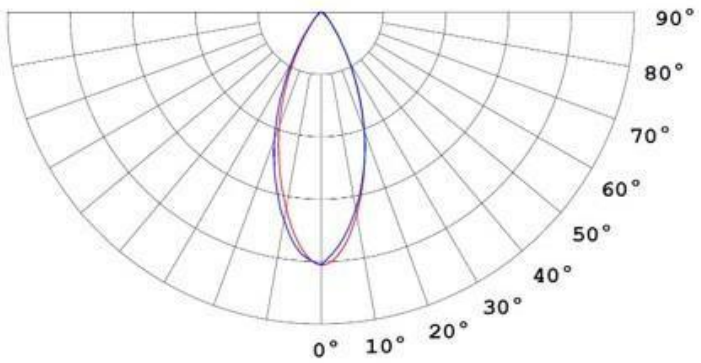
10° (SS12-02)



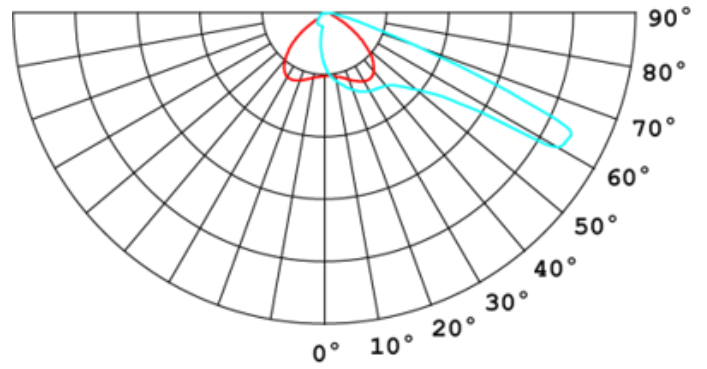
20° (SS23-01)



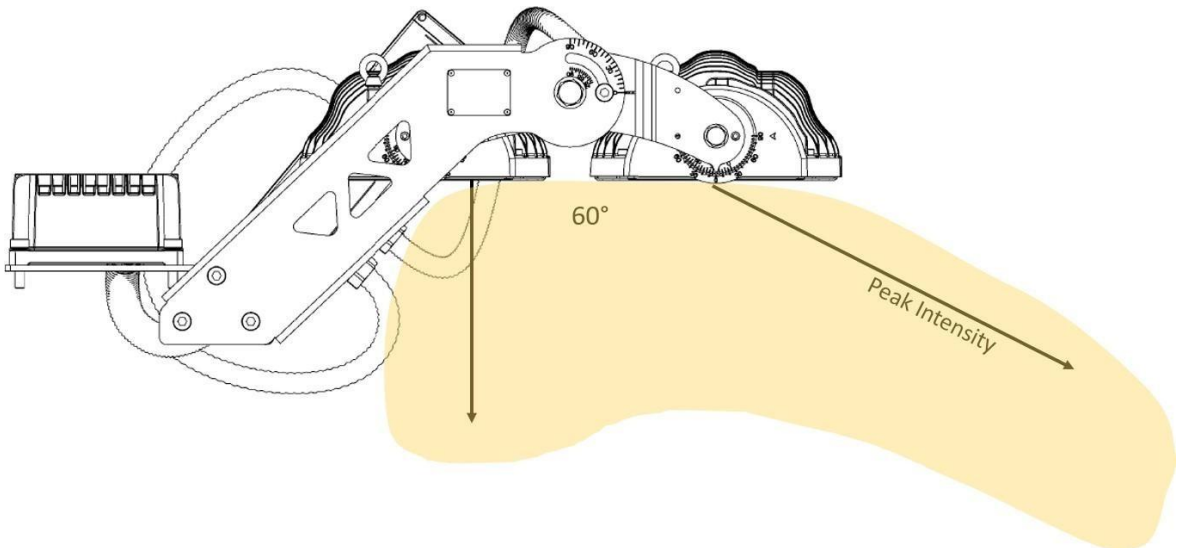
40° (SS46-01)



Asymmetric

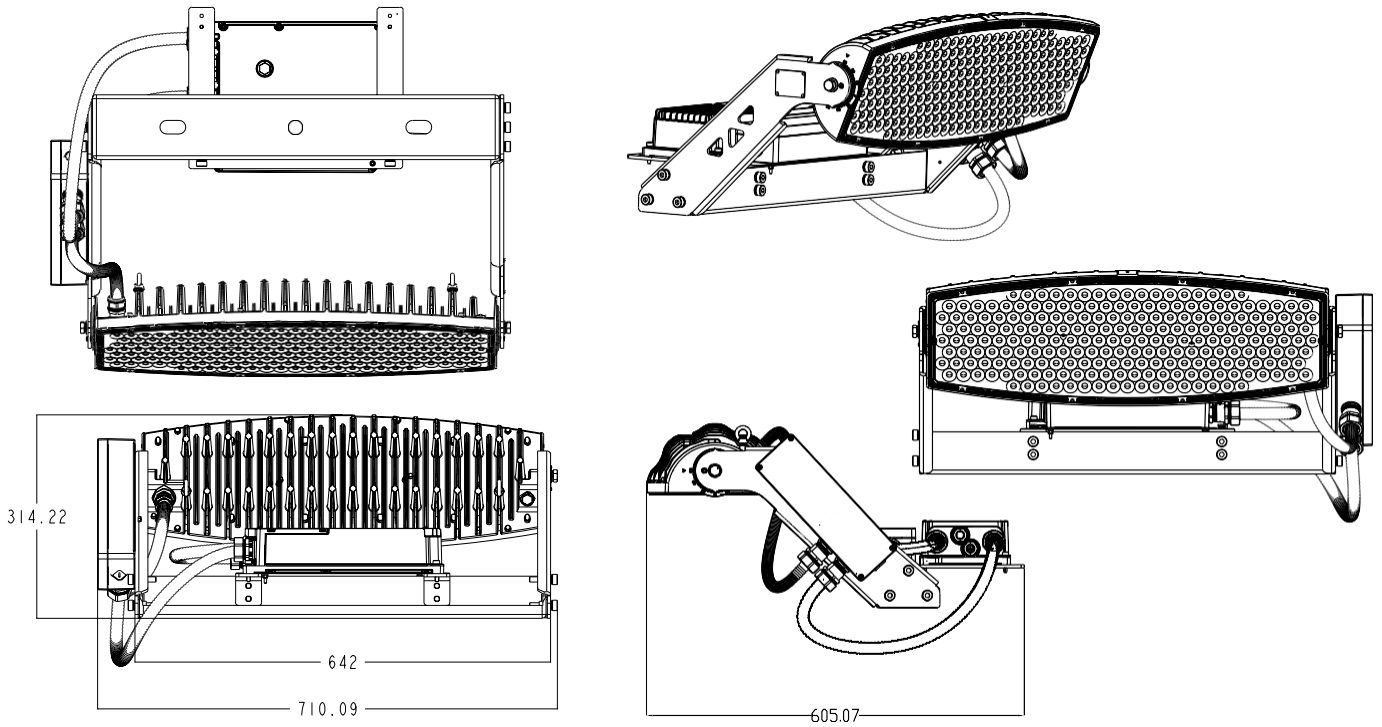


Peak Intensity

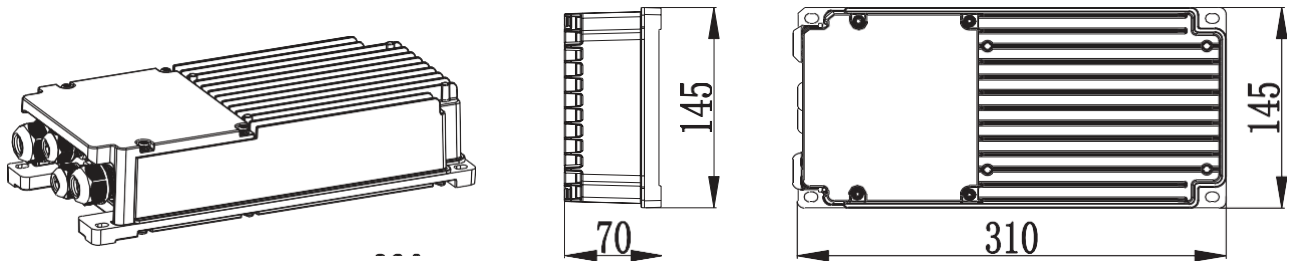


Dimensional Drawings

FA Series



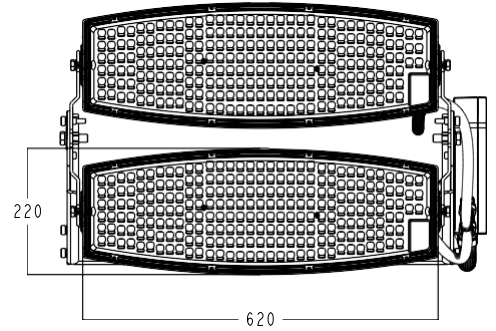
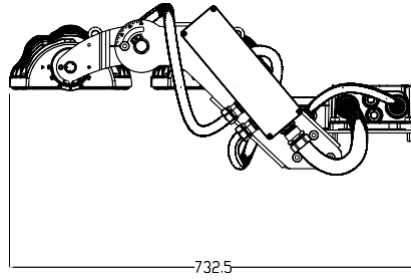
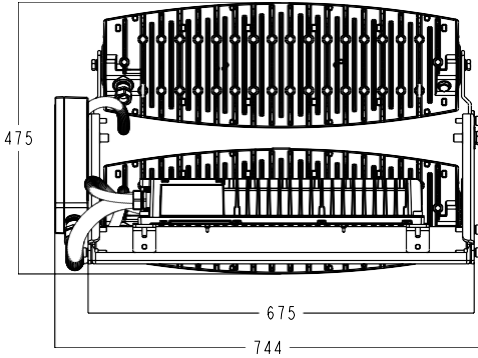
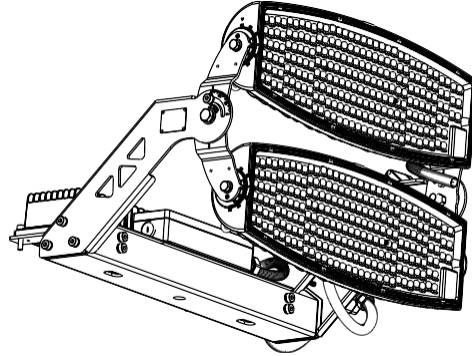
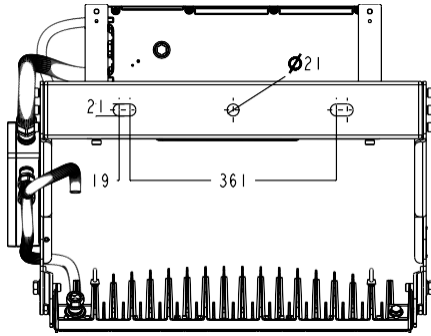
Driver Dimensions FA: NFS-600S210BC



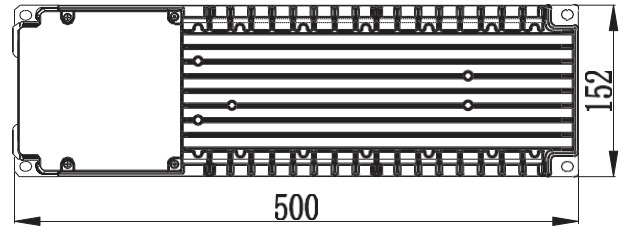
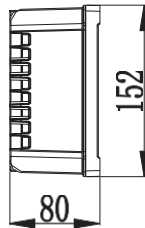
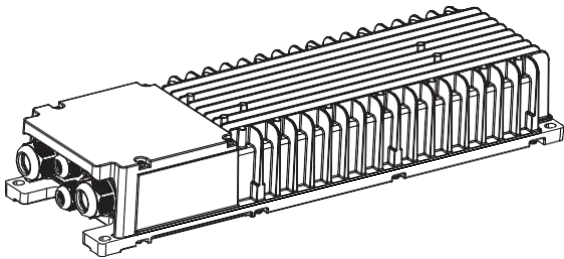
Dimensions in mm

Dimensional Drawings

FB Series



Driver Dimensions FB: NFS-1K2D210BC



Dimensions in mm

DISCLAIMER. All product information provided is, to the best of Dialight's knowledge, accurate as of the date of publication. When ordering, refer to www.dialight.com for current versions of: (a) relevant product documentation (including the relevant product data sheets); (b) Dialight terms and conditions of sale; and, (c) the relevant product warranty. To the extent that any contract is deemed formed between Dialight and the purchaser of Dialight products and/or an end-user, versions of documents available at www.dialight.com as at the date of sale shall be the versions incorporated therein. In the event of any discrepancy between this document or information provided at www.dialight.com, the latter shall prevail.

Australia

108 Howe Street
Osborne Park, WA 6017
Tel: +61 (0) 8 9244 7600
Fax: +61 (0) 8 9244 7601
info@dialight.com.au

Southeast Asia

56 Kallang Pudding Road
#09 – 08 HH@Kallang
Singapore 349328
Tel: +65 6578 7271
Fax: +65 6578 7150
enquiry@dialight.com.sg

WARNING / DISCLAIMERS:

Installation & secondary retention. The use of this product without proper installation (including secondary retention / netting) and periodic inspections, could cause severe injury or death. Dialight recommends that all installations should use secondary retention / netting (appropriate to the installation environment) as applicable. Dialight products are intended for ultimate purchase, installation and operation by knowledgeable persons trained in the functional assessment, installation, use and maintenance of such products and all customers (including but not limited to end customers) are responsible for assessing the suitability of Dialight products for any given installation requirement. It is the exclusive responsibility of the contractor, installer and/or end-user to: (a) determine the suitability of the product for its intended application; and, (b) ensure that the product is safely installed (with secondary retention / netting as appropriate) and in compliance with all applicable laws and regulations.

Product specifications & warranties. All product information provided is, to the best of Dialight's knowledge, accurate as of the date of publication. All values and performance data herein are design or typical values when measured under laboratory conditions. The information herein is subject to change without notice. The products / software detailed herein are subject to applicable warranties and terms and conditions of use/purchase. Unless agreed otherwise in writing by an authorized representative of Dialight, Dialight does not represent that its products are fit for any particular purpose and accepts no liability for the installation and/or unauthorised use of its products. When ordering, refer to www.dialight.com for current versions of: (a) relevant product documentation (including relevant product data sheets); (b) Dialight terms and conditions of sale; and, (c) the relevant product warranties. To the extent that any contract is deemed formed between Dialight and the purchaser of Dialight products and/or an end-user, versions of documents available at www.dialight.com as at the date of sale shall be the versions incorporated therein. In the event of any discrepancy between this document and information provided at www.dialight.com, the latter shall prevail.

Exclusion of liability. To the extent permissible under the relevant law, Dialight disclaims all liability for personal injury and/or other damage resulting from any dislodgment or other dislocation of its products. Whilst Dialight has used its reasonable endeavours to ensure the completeness and accuracy of information herein, Dialight does not assume any liability for damages resulting from use of this information or for any third-party representations made in relation to Dialight products.



ProSite LED Floodlight - Battery Backup Models Technical Specification Sheet - APAC

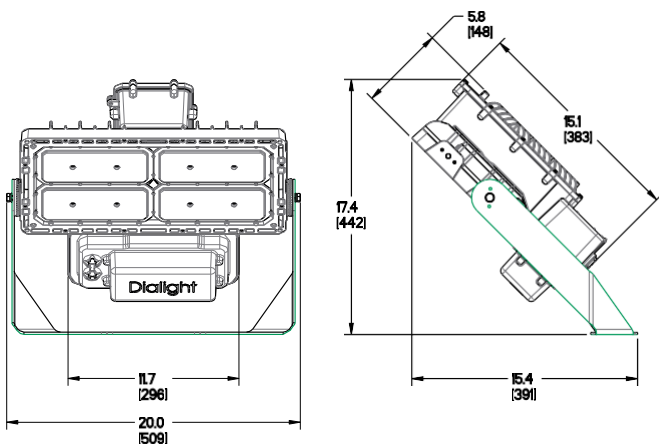
ProSite LED Floodlight - Battery Backup

F1 Models - Non-Hazardous



Certifications & Ratings

- 10 year warranty (excluding batteries)
- CE / ENEC / RCM
- IP66/67
- IK10 - Integrated PC optic only
- IK10 - Polycarbonate lens
- IK08 - Glass lens
- L70 > 150,000 hours @ 25°C ambient
- Vibration - Lloyd's test 1



Dimensions in inches [mm]

Mechanical Information:

| | |
|------------------|---|
| Fixture weight: | 13 - 16kg |
| Shipping weight: | 15 - 18kg |
| EPA (sq. m): | 0.19 |
| Mounting: | 316 stainless steel straight bracket (all with 7.5° tilt adjustment) |
| Cable entry: | 2 x M25 |

Electrical Specifications:

| | |
|-----------------------|---|
| Operating voltage: | 230-240 VAC, 50/60Hz |
| Operating temp: | -20°C to +55°C |
| EMC: | CISPR 15 Flicker: IEC 61000-3-3 Immunity requirements for lighting: IEC 61547 Harmonics: IEC 61000-3-2 Class C |
| Transient protection: | IEC 61000-4-5. 6kV line-line and line-ground. |
| Optional: | Additional surge protection module rated for 10kA, 20kA single strike |
| THD: | < 20% |
| Power Factor: | > 0.9 |
| Dimming: | DALI 1 and 2 compatible/0-10 VDC |
| Battery Duration: | 60, 90 or 180 minutes (field selectable) |

Construction:

| | |
|-----------|--|
| Housing: | A360 Die-cast aluminum |
| Hardware: | 316 stainless steel |
| Finish: | Superior epoxy and polyester dual coat finish |
| Lens: | Integrated PC Optic/Lens, Glass Lens Cover, PC Lens Cover |

Photometric Information:

| | |
|--|---|
| CRI: | 70 (80 optional) |
| CCT: | 5000K (cool white) 4000K (neutral white) 2200K (warm white) 2700K (warm white) - 80 CRI Amber |
| Beam pattern: | Medium (56°) Wide (125°) Very Wide (131°x108°) Asymmetric Asymmetric Wide |
| IES files: | Available at www.dialight.com |
| All values typical unless otherwise stated (tolerance +/- 10%) | |

WARNING - INSTALLATION & SECONDARY RETENTION. Use of any Dialight products without proper installation (including secondary retention / netting) and periodic inspections could cause severe injury or death. Dialight recommends that all installations should use secondary retention / netting (appropriate to the installation environment) where applicable. It is the exclusive responsibility of the contractor, installer and/or end-user to: (a) determine the suitability of the product for its intended application; and, (b) ensure that the product is safely installed (with secondary retention / netting where appropriate) and in compliance with all applicable laws and regulations. To the extent permissible under applicable laws, Dialight disclaims all liability for personal injury and/or other damage resulting from any dislodgment or other dislocation of its products.

Ordering Information - F1 Models

ProSite LED Floodlight Battery Backup - Non-Hazardous



| Industrial - CE / ENEC / RCM | | | | | | | | |
|------------------------------|----------------|---------|------|--------------------------|------------|-----------------------|---------------|-------------------------|
| Part Number | Fixture Lumens | Wattage | lm/W | Fixture Lumens (Battery) | Voltage | CCT/CRI | Lens | Optics |
| 12,000lm Models | | | | | | | | |
| F1E-N7BG-BDEN-VGF | 13,200 | 87 | 152 | 1,720 | 230-240VAC | 5000K (Cool White) | PC Optic Only | Very Wide (131° x 108°) |
| F1E-N6BG-BDEN-VGF | 13,200 | 87 | 152 | 1,720 | 230-240VAC | 5000K (Cool White) | PC Optic Only | Wide (125°) |
| F1E-N4BG-BDEN-VGF | 13,200 | 87 | 152 | 1,720 | 230-240VAC | 5000K (Cool White) | PC Optic Only | Medium (56°) |
| F1E-7FBG-BDEN-VGF | 12,200 | 87 | 140 | 1,600 | 230-240VAC | 5000K (Cool White) | Glass | Asymmetric |
| F1E-NJBG-BDEN-VGF | 12,300 | 87 | 141 | 1,490 | 230-240VAC | 5000K (Cool White) | PC Optic Only | Asymmetric Wide |
| F1E-N7LG-BDEN-VGF | 13,200 | 87 | 152 | 1,720 | 230-240VAC | 4000K (Neutral White) | PC Optic Only | Very Wide (131° x 108°) |
| F1E-N6LG-BDEN-VGF | 13,200 | 87 | 152 | 1,720 | 230-240VAC | 4000K (Neutral White) | PC Optic Only | Wide (125°) |
| F1E-N4LG-BDEN-VGF | 13,200 | 87 | 152 | 1,720 | 230-240VAC | 4000K (Neutral White) | PC Optic Only | Medium (56°) |
| F1E-7FLG-BDEN-VGF | 12,200 | 87 | 140 | 1,600 | 230-240VAC | 4000K (Neutral White) | Glass | Asymmetric |
| F1E-NJLG-BDEN-VGF | 12,300 | 87 | 141 | 1,490 | 230-240VAC | 4000K (Neutral White) | PC Optic Only | Asymmetric Wide |
| 18,000lm Models | | | | | | | | |
| F1E-N7BG-CDEN-VGF | 19,100 | 130 | 147 | 1,720 | 230-240VAC | 5000K (Cool White) | PC Optic Only | Very Wide (131° x 108°) |
| F1E-N6BG-CDEN-VGF | 19,100 | 130 | 147 | 1,720 | 230-240VAC | 5000K (Cool White) | PC Optic Only | Wide (125°) |
| F1E-N4BG-CDEN-VGF | 19,100 | 130 | 147 | 1,720 | 230-240VAC | 5000K (Cool White) | PC Optic Only | Medium (56°) |
| F1E-7FBG-CDEN-VGF | 17,700 | 130 | 136 | 1,600 | 230-240VAC | 5000K (Cool White) | Glass | Asymmetric |
| F1E-NJBG-CDEN-VGF | 17,800 | 130 | 137 | 1,490 | 230-240VAC | 5000K (Cool White) | PC Optic Only | Asymmetric Wide |
| F1E-N7LG-CDEN-VGF | 19,100 | 130 | 147 | 1,720 | 230-240VAC | 4000K (Neutral White) | PC Optic Only | Very Wide (131° x 108°) |
| F1E-N6LG-CDEN-VGF | 19,100 | 130 | 147 | 1,720 | 230-240VAC | 4000K (Neutral White) | PC Optic Only | Wide (125°) |
| F1E-N4LG-CDEN-VGF | 19,100 | 130 | 147 | 1,720 | 230-240VAC | 4000K (Neutral White) | PC Optic Only | Medium (56°) |
| F1E-7FLG-CDEN-VGF | 17,700 | 130 | 136 | 1,600 | 230-240VAC | 4000K (Neutral White) | Glass | Asymmetric |
| F1E-NJLG-CDEN-VGF | 17,800 | 130 | 137 | 1,490 | 230-240VAC | 4000K (Neutral White) | PC Optic Only | Asymmetric Wide |
| 30,000lm Models | | | | | | | | |
| F1E-N7BG-FDEN-VGF | 31,600 | 240 | 132 | 1,720 | 230-240VAC | 5000K (Cool White) | PC Optic Only | Very Wide (131° x 108°) |
| F1E-N6BG-FDEN-VGF | 31,600 | 240 | 132 | 1,720 | 230-240VAC | 5000K (Cool White) | PC Optic Only | Wide (125°) |
| F1E-N4BG-FDEN-VGF | 31,600 | 240 | 132 | 1,720 | 230-240VAC | 5000K (Cool White) | PC Optic Only | Medium (56°) |
| F1E-7FBG-FDEN-VGF | 29,200 | 240 | 122 | 1,600 | 230-240VAC | 5000K (Cool White) | Glass | Asymmetric |
| F1E-NJBG-FDEN-VGF | 29,400 | 240 | 123 | 1,490 | 230-240VAC | 5000K (Cool White) | PC Optic Only | Asymmetric Wide |
| F1E-N7LG-FDEN-VGF | 31,600 | 240 | 132 | 1,720 | 230-240VAC | 4000K (Neutral White) | PC Optic Only | Very Wide (131° x 108°) |
| F1E-N6LG-FDEN-VGF | 31,600 | 240 | 132 | 1,720 | 230-240VAC | 4000K (Neutral White) | PC Optic Only | Wide (125°) |
| F1E-N4LG-FDEN-VGF | 31,600 | 240 | 132 | 1,720 | 230-240VAC | 4000K (Neutral White) | PC Optic Only | Medium (56°) |
| F1E-7FLG-FDEN-VGF | 29,200 | 240 | 122 | 1,600 | 230-240VAC | 4000K (Neutral White) | Glass | Asymmetric |
| F1E-NJLG-FDEN-VGF | 29,400 | 240 | 123 | 1,490 | 230-240VAC | 4000K (Neutral White) | PC Optic Only | Asymmetric Wide |

All values typical unless otherwise stated (tolerance +/- 10%).
 CCT - For 2700K change 6th character to 'W'. For 2200K change 6th character to 'U'. For Amber change 6th character to 'A'. Refer to lumen table on page XX for accurate values
 Lens - For glass lens cover change 4th character to a '7'. For PC lens cover change 4th character to a '4'. Lens option '4' and '7' not available for asymmetric wide optic.
 Surge Protection - For 10kA surge protection 230-240VAC change 7th character to 'H'.
 PE Cell - For NEMA PE Cell Receptacle with shorting cap change 9th character to 'S'.
 Mounting Bracket - Angled Bracket supplied as standard - for straight bracket change 10th character to 'F'.

Lumen Tables

| Lumen Output Family | Wattage (120-277 VAC) | Optic | PC Optic Only | | | | Glass Lens | | | | Polycarbonate Lens | | | |
|---------------------|-----------------------|-----------------|---------------|--------|--------|--------|------------|--------|--------|--------|--------------------|--------|--------|--------|
| | | | 5000K | 4000K | 2700K | 2200K | 5000K | 4000K | 2700K | 2200K | 5000K | 4000K | 2700K | 2200K |
| 12K | 86 | Medium | 13,200 | 13,200 | 10,200 | 10,400 | 12,500 | 12,500 | 9,500 | 9,700 | 11,700 | 11,700 | 8,800 | 9,000 |
| | | Wide | 13,200 | 13,200 | 10,200 | 10,400 | 12,500 | 12,500 | 9,500 | 9,700 | 11,700 | 11,700 | 8,800 | 9,000 |
| | | Very Wide | 13,200 | 13,200 | 10,200 | 10,400 | 12,500 | 12,500 | 9,500 | 9,700 | 11,700 | 11,700 | 8,800 | 9,000 |
| | | Asymmetric | - | - | - | - | 12,200 | 12,200 | 9,200 | 9,400 | 11,500 | 11,500 | 8,500 | 8,700 |
| | | Asymmetric Wide | 12,300 | 12,300 | 9,300 | 9,500 | - | - | - | - | - | - | - | - |
| 18K | 129 | Medium | 19,100 | 19,100 | 14,800 | 15,100 | 18,000 | 18,000 | 13,800 | 14,000 | 17,000 | 17,000 | 12,700 | 13,000 |
| | | Wide | 19,100 | 19,100 | 14,800 | 15,100 | 18,000 | 18,000 | 13,800 | 14,000 | 17,000 | 17,000 | 12,700 | 13,000 |
| | | Very Wide | 19,100 | 19,100 | 14,800 | 15,100 | 18,000 | 18,000 | 13,800 | 14,000 | 17,000 | 17,000 | 12,700 | 13,000 |
| | | Asymmetric | - | - | - | - | 17,700 | 17,700 | 13,400 | 13,700 | 16,600 | 16,600 | 12,300 | 12,600 |
| | | Asymmetric Wide | 17,800 | 17,800 | 13,500 | 13,800 | - | - | - | - | - | - | - | - |
| 24K | 180 | Medium | 25,000 | 25,000 | 19,400 | 19,800 | 23,600 | 23,600 | 18,000 | 18,400 | 22,300 | 22,300 | 16,600 | 17,000 |
| | | Wide | 25,000 | 25,000 | 19,400 | 19,800 | 23,600 | 23,600 | 18,000 | 18,400 | 22,300 | 22,300 | 16,600 | 17,000 |
| | | Very Wide | 25,000 | 25,000 | 19,400 | 19,800 | 23,600 | 23,600 | 18,000 | 18,400 | 22,300 | 22,300 | 16,600 | 17,000 |
| | | Asymmetric | - | - | - | - | 23,100 | 23,100 | 17,500 | 17,900 | 21,800 | 21,800 | 16,100 | 16,500 |
| | | Asymmetric Wide | 23,300 | 23,300 | 17,600 | 18,000 | - | - | - | - | - | - | - | - |
| 30K | 239 | Medium | 31,600 | 31,600 | 24,500 | 25,000 | 29,900 | 29,900 | 22,800 | 23,200 | 28,100 | 28,100 | 21,000 | 21,500 |
| | | Wide | 31,600 | 31,600 | 24,500 | 25,000 | 29,900 | 29,900 | 22,800 | 23,200 | 28,100 | 28,100 | 21,000 | 21,500 |
| | | Very Wide | 31,600 | 31,600 | 24,500 | 25,000 | 29,900 | 29,900 | 22,800 | 23,200 | 28,100 | 28,100 | 21,000 | 21,500 |
| | | Asymmetric | - | - | - | - | 29,200 | 29,200 | 22,100 | 22,600 | 27,500 | 27,500 | 20,400 | 20,900 |
| | | Asymmetric Wide | 29,400 | 29,400 | 22,300 | 22,800 | - | - | - | - | - | - | - | - |

| Lumen Output Family | Wattage (120-277 VAC) | Optic | PC Optic Only | Glass Lens | Polycarbonate Lens |
|---------------------|-----------------------|-----------------|---------------|------------|--------------------|
| | | | Amber | | |
| 12K | 232 | Medium | 13,000 | 12,300 | 10,200 |
| | | Wide | 13,000 | 12,300 | 10,200 |
| | | Very Wide | 13,000 | 12,300 | 10,200 |
| | | Asymmetric | - | 11,600 | 10,400 |
| | | Asymmetric Wide | 12,400 | - | - |

DISCLAIMER. All product information provided is, to the best of Dialight's knowledge, accurate as of the date of publication. When ordering, refer to www.dialight.com for current versions of: (a) relevant product documentation (including the relevant product data sheets); (b) Dialight terms and conditions of sale; and, (c) the relevant product warranty. To the extent that any contract is deemed formed between Dialight and the purchaser of Dialight products and/or an end-user, versions of documents available at www.dialight.com as at the date of sale shall be the versions incorporated therein. In the event of any discrepancy between this document or information provided at www.dialight.com, the latter shall prevail.

Inrush Current

| F1 Models | |
|-------------------------|------|
| VAC | 240 |
| Peak inrush current (A) | 15.4 |
| Duration, T50 (ms) | 1.5 |

Maximum per Circuit Breaker

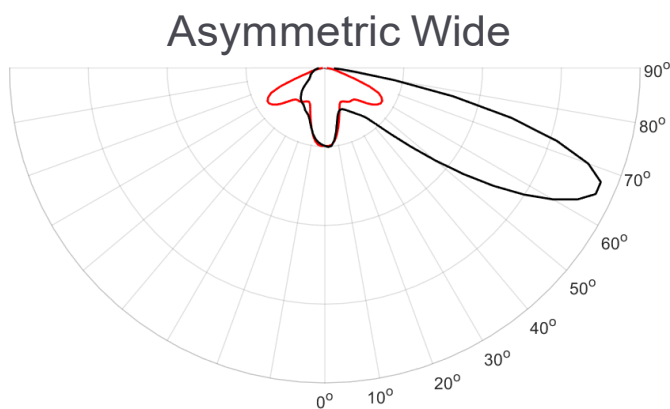
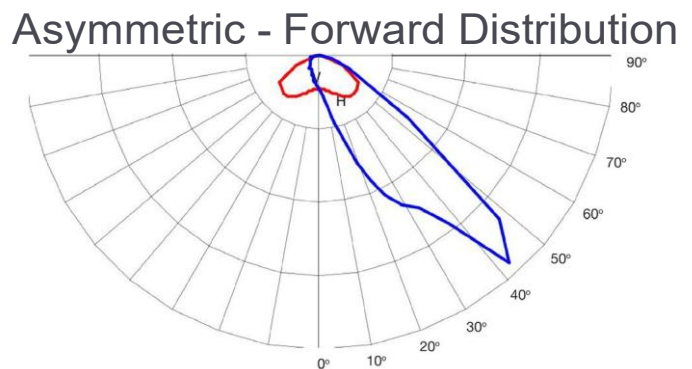
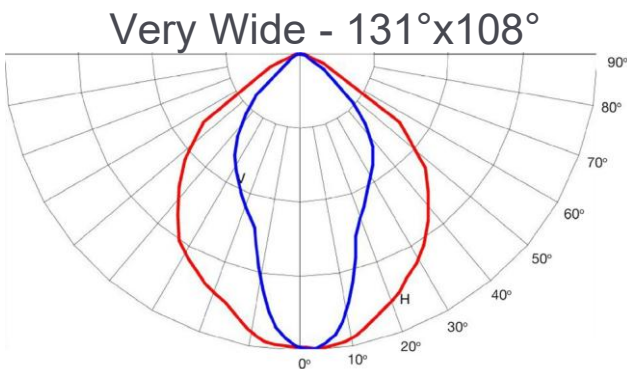
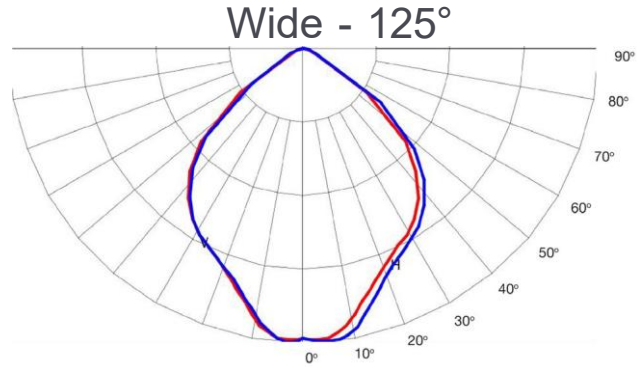
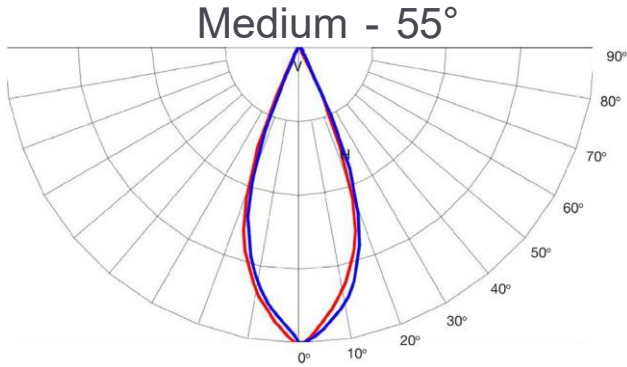
| 230VAC | | | |
|--------------|--------|--------|--------|
| Lumen Output | 10 Amp | 16 Amp | 20 Amp |
| 12,000 | 16 | 26 | 32 |
| 18,000 | 11 | 17 | 21 |
| 24,000 | 8 | 12 | 15 |
| 30,000 | 6 | 9 | 11 |
| Amber | 6 | 9 | 12 |

| 240VAC | | |
|--------|--------|--------|
| 10 Amp | 16 Amp | 20 Amp |
| 17 | 27 | 33 |
| 11 | 18 | 22 |
| 8 | 13 | 16 |
| 6 | 9 | 12 |
| 6 | 10 | 12 |

Dialight recommends using B or C type breakers.

These tables are based on steady-state input current and nominal breaker current ratings @ 80% derating.

Beam Distribution



DISCLAIMER. All product information provided is, to the best of Dialight's knowledge, accurate as of the date of publication. When ordering, refer to www.dialight.com for current versions of: (a) relevant product documentation (including the relevant product data sheets); (b) Dialight terms and conditions of sale; and, (c) the relevant product warranty. To the extent that any contract is deemed formed between Dialight and the purchaser of Dialight products and/or an end-user, versions of documents available at www.dialight.com as at the date of sale shall be the versions incorporated therein. In the event of any discrepancy between this document or information provided at www.dialight.com, the latter shall prevail.

Lumen Maintenance Factor - F1

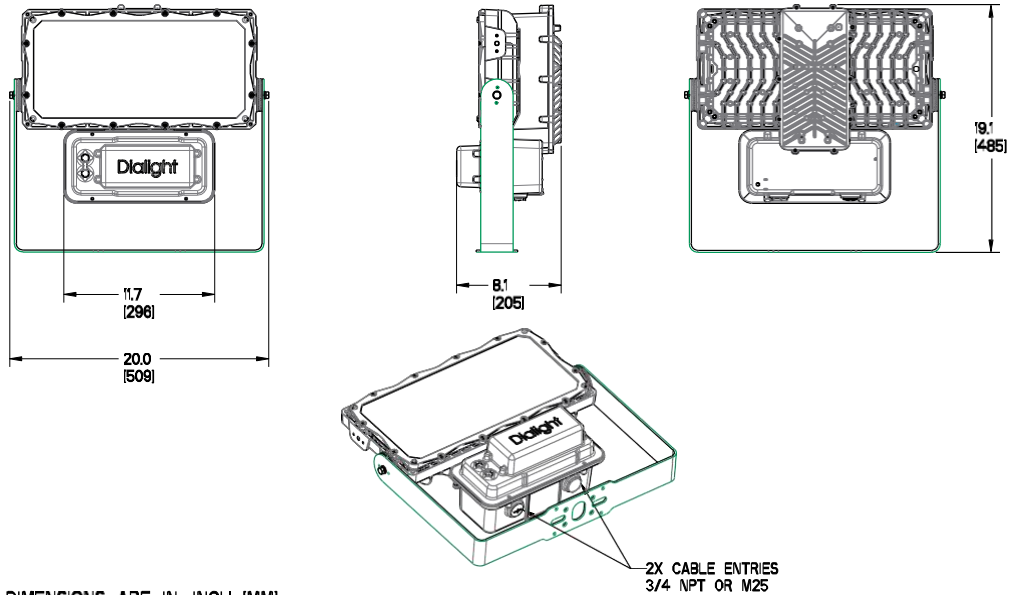
| F1 Floodlight 12k lm (Hours) | | | | | | | | | |
|------------------------------|------|-------|-------|-------|-------|-------|-------|--------|--------|
| Ambient | 0 | 15000 | 30000 | 45000 | 60000 | 75000 | 90000 | 100000 | 150000 |
| 25°C | 100% | 98% | 97% | 96% | 96% | 95% | 94% | 93% | 91% |
| 30°C | 99% | 97% | 96% | 95% | 95% | 94% | 93% | 92% | 90% |
| 35°C | 98% | 96% | 96% | 95% | 95% | 94% | 93% | 92% | 90% |
| 40°C | 98% | 96% | 95% | 94% | 94% | 93% | 92% | 91% | 89% |
| 45°C | 97% | 95% | 94% | 93% | 93% | 92% | 91% | 90% | 88% |
| 50°C | 96% | 94% | 94% | 93% | 93% | 92% | 91% | 90% | 88% |
| 55°C | 96% | 94% | 93% | 92% | 91% | 90% | 90% | 89% | 87% |

| F1 Floodlight 18k lm (Hours) | | | | | | | | | |
|------------------------------|------|-------|-------|-------|-------|-------|-------|--------|--------|
| Ambient | 0 | 15000 | 30000 | 45000 | 60000 | 75000 | 90000 | 100000 | 150000 |
| 25°C | 100% | 98% | 97% | 96% | 96% | 95% | 94% | 93% | 91% |
| 30°C | 99% | 97% | 96% | 95% | 95% | 94% | 93% | 92% | 90% |
| 35°C | 98% | 96% | 96% | 95% | 95% | 94% | 93% | 92% | 90% |
| 40°C | 98% | 96% | 95% | 94% | 94% | 93% | 92% | 91% | 89% |
| 45°C | 97% | 95% | 94% | 93% | 93% | 92% | 91% | 90% | 88% |
| 50°C | 96% | 94% | 94% | 93% | 93% | 92% | 91% | 90% | 88% |
| 55°C | 96% | 94% | 93% | 92% | 91% | 90% | 90% | 89% | 87% |

| F1 Floodlight 30k lm (Hours) | | | | | | | | | |
|------------------------------|------|-------|-------|-------|-------|-------|-------|--------|--------|
| Ambient | 0 | 15000 | 30000 | 45000 | 60000 | 75000 | 90000 | 100000 | 150000 |
| 25°C | 100% | 98% | 95% | 93% | 91% | 89% | 87% | 85% | 79% |
| 30°C | 99% | 97% | 94% | 92% | 90% | 88% | 86% | 84% | 78% |
| 35°C | 98% | 96% | 93% | 91% | 89% | 87% | 85% | 83% | 77% |
| 40°C | 97% | 94% | 92% | 90% | 88% | 85% | 83% | 82% | 76% |
| 45°C | 96% | 93% | 91% | 88% | 86% | 84% | 82% | 81% | 74% |
| 50°C | 94% | 92% | 90% | 87% | 85% | 83% | 81% | 79% | 72% |
| 55°C | 93% | 91% | 88% | 86% | 84% | 81% | 79% | 78% | 71% |

DISCLAIMER. All product information provided is, to the best of Dialight's knowledge, accurate as of the date of publication. When ordering, refer to www.dialight.com for current versions of: (a) relevant product documentation (including the relevant product data sheets); (b) Dialight terms and conditions of sale; and, (c) the relevant product warranty. To the extent that any contract is deemed formed between Dialight and the purchaser of Dialight products and/or an end-user, versions of documents available at www.dialight.com as at the date of sale shall be the versions incorporated therein. In the event of any discrepancy between this document or information provided at www.dialight.com, the latter shall prevail.

Dimensional Drawings



ALL DIMENSIONS ARE IN: INCH [MM]

Accessories

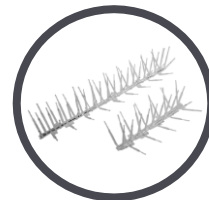


F1NVISOR
 • F1 visor NEMA optics

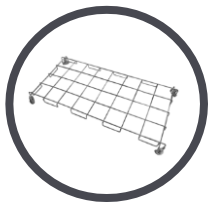


H6XCAB72²
 • 72" stainless steel safety rope
 • Kit includes: (1) cable

H6XCAB60²
 • 60" stainless steel safety rope
 • Kit includes: (1) cable



F1SPIKES
 • Bird spikes



FLWG
 • Wire guard
 • Kit includes (1) assembly



SLPC01R
 • Photocell, 105-305 VAC

¹Brackets and adapters require the tenon pole topper (FLX-1TPT-20DB/LG) to mount floodlight. Tenon pole topper sold separately.
²F1 models require 1 cable per unit.

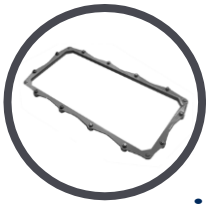
Replacements*



- FL10KV277
- 10kA surge protection 100-277V
- FL10KV480
- 10kA surge protection 347-480V



- FLWIRELESS
- Wireless controls card



- FLGLASSLG
- Glass lens, grey
- FLPCLG
- Polycarb lens, grey
- Kit includes (1) assembly

| Replacement Power Supplies | |
|----------------------------|-------------------------------|
| Part Number | Description |
| F1PS2B | 120-277V Power Supply, 12k lm |
| F1PS2C | 120-277V Power Supply, 18k lm |
| F1PS2F | 120-277V Power Supply, 30k lm |

*Replacements parts for CE models only.

DISCLAIMER. All product information provided is, to the best of Dialight's knowledge, accurate as of the date of publication. When ordering, refer to www.dialight.com for current versions of: (a) relevant product documentation (including the relevant product data sheets); (b) Dialight terms and conditions of sale; and, (c) the relevant product warranty. To the extent that any contract is deemed formed between Dialight and the purchaser of Dialight products and/or an end-user, versions of documents available at www.dialight.com as at the date of sale shall be the versions incorporated therein. In the event of any discrepancy between this document or information provided at www.dialight.com, the latter shall prevail.

Australia

108 Howe Street
Osborne Park, WA 6017
Tel: +61 (0) 8 9244 7600
Fax: +61 (0) 8 9244 7601
info@dialight.com.au

Southeast Asia

56 Kallang Pudding Road
#09 – 08 HH@Kallang
Singapore 349328
Tel: +65 6578 7271
Fax: +65 6578 7150
enquiry@dialight.com.sg

WARNING / DISCLAIMERS:

Installation & secondary retention. The use of this product without proper installation (including secondary retention / netting) and periodic inspections, could cause severe injury or death. Dialight recommends that all installations should use secondary retention / netting (appropriate to the installation environment) as applicable. Dialight products are intended for ultimate purchase, installation and operation by knowledgeable persons trained in the functional assessment, installation, use and maintenance of such products and all customers (including but not limited to end customers) are responsible for assessing the suitability of Dialight products for any given installation requirement. It is the exclusive responsibility of the contractor, installer and/or end-user to: (a) determine the suitability of the product for its intended application; and, (b) ensure that the product is safely installed (with secondary retention / netting as appropriate) and in compliance with all applicable laws and regulations.

Product specifications & warranties. All product information provided is, to the best of Dialight's knowledge, accurate as of the date of publication. All values and performance data herein are design or typical values when measured under laboratory conditions. The information herein is subject to change without notice. The products / software detailed herein are subject to applicable warranties and terms and conditions of use/purchase. Unless agreed otherwise in writing by an authorized representative of Dialight, Dialight does not represent that its products are fit for any particular purpose and accepts no liability for the installation and/or unauthorised use of its products. When ordering, refer to www.dialight.com for current versions of: (a) relevant product documentation (including relevant product data sheets); (b) Dialight terms and conditions of sale; and, (c) the relevant product warranties. To the extent that any contract is deemed formed between Dialight and the purchaser of Dialight products and/or an end-user, versions of documents available at www.dialight.com as at the date of sale shall be the versions incorporated therein. In the event of any discrepancy between this document and information provided at www.dialight.com, the latter shall prevail.

Exclusion of liability. To the extent permissible under the relevant law, Dialight disclaims all liability for personal injury and/or other damage resulting from any dislodgment or other dislocation of its products. Whilst Dialight has used its reasonable endeavours to ensure the completeness and accuracy of information herein, Dialight does not assume any liability for damages resulting from use of this information or for any third-party representations made in relation to Dialight products.

Dialight



Vigilant[®] LED High Bay - APAC

for Indoor and Outdoor Industrial Applications



MARCH 2025

Vigilant® LED High Bay - RCM / CE / UL

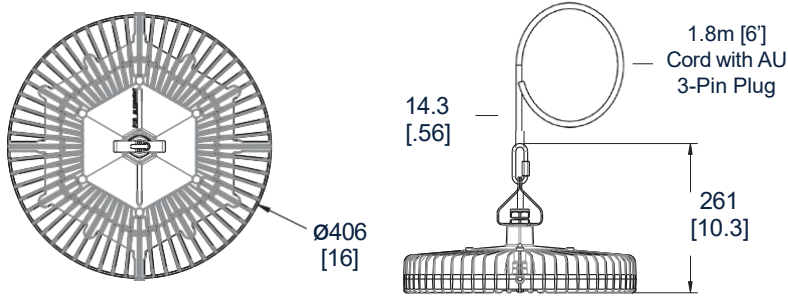
Standard Models



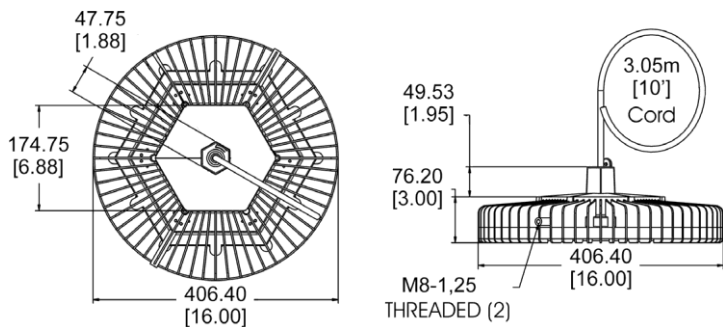
Certifications & Ratings

- 10 year warranty
- L70 >150,000 hours @ 25°C ambient
- CE / RCM / UL 1598/A (wet locations)
- IK10 to EN 50102 (Polycarbonate lens)
- IK06 to EN 50102 (Acrylic lens)
- IK05 to EN 50102 (Glass lens)

CE/RCM Model | Prefix: HEE / VEE



UL Model | Prefix: HEU / VEU



Dimensions in mm [inches]

Mechanical Information:

| | |
|------------------|---|
| Fixture weight: | 8.2 kg (18 lb) |
| Shipping weight: | 10.9 kg (24 lb) |
| Mounting: | Hook (CE/RCM) or 3/4" NPT Pendant (UL) swivel bracket (sold separately) Secondary retention option available |
| Cabling: | 1.8m H07BN4-F power cord (CE/RCM) with AU 3-pin plug or 3m STOOW power cord (UL) |

Electrical Specifications:

| | |
|---------------------------------|--|
| Operating Voltage: | 100-277 VAC, 120-250 VDC |
| Total system power consumption: | See table |
| Operating Temp: | -40°C to +65°C (-40°F to +149°F) |
| Harmonics: | IEC 61000-3-2 |
| Transient protection: | Tested to withstand up to 8kV/4kA per IEEE C62.41 |
| THD: | <20% |
| Power Factor: | > 0.9 |

Construction:

| | |
|----------|--|
| Housing: | Copper free aluminum |
| Finish: | Superior dual coat finish - Sealed polyester topcoat - Chemical-resistant epoxy primer |
| Lens: | Tempered glass Polycarbonate (flat or dome) Acrylic (flat) |

Photometric Information:

| | |
|------|---|
| CRI: | 80 |
| CCT: | 5000K (cool white) 4000K (neutral white) 2700K (warm white) |

All values typical unless otherwise stated (tolerance +/- 10%)

WARNING - INSTALLATION & SECONDARY RETENTION. Use of any Dialight products without proper installation (including secondary retention / netting) and periodic inspections could cause severe injury or death. Dialight recommends that all installations should use secondary retention / netting (appropriate to the installation environment) where applicable. It is the exclusive responsibility of the contractor, installer and/or end-user to: (a) determine the suitability of the product for its intended application; and, (b) ensure that the product is safely installed (with secondary retention / netting where appropriate) and in compliance with all applicable laws and regulations. To the extent permissible under applicable laws, Dialight disclaims all liability for personal injury and/or other damage resulting from any dislodgment or other dislocation of its products.



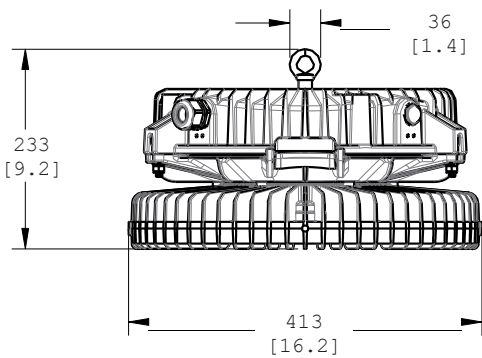
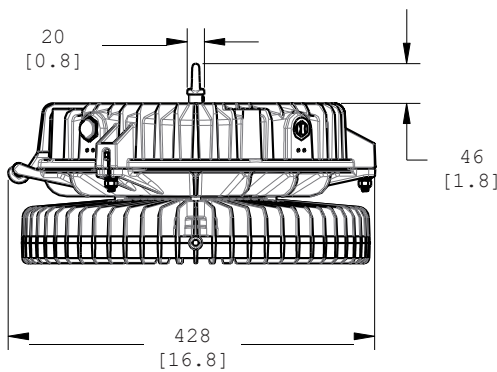
Vigilant® LED High Bay Battery Backup Model



Mechanical Information:

Fixture weight:
17.7 kg (39 lbs)
Shipping weight:
20.9 kg (46 lbs)
Mounting:
Stainless Steel Hook

Prefix: HEE/VEE



Dimensions in mm (inches)

Certifications & Ratings:

| | |
|--|--|
| 10 year warranty (excluding battery) | IK10 to EN 50102 (Polycarbonate lens) |
| EN 60598-1:2015, IEC 60598-1:2014 | IK06 to EN 50102 (Acrylic lens) |
| EN 60598-2-1:1989, IEC 60598-2-1:2020 | IK05 to EN 50102 (Glass lens) |
| IEC60068 | D-Marking to EN 60598 2-24 |
| Salt spray testing - severity 1 | L70 >150,000 hours @ 25°C ambient |
| IP66 to EN 60529 | |

Electrical Specifications:

| | |
|---------------------------------|---|
| Operating Voltage: | 230/240 VAC |
| Cable Entries: | M25 x 2 sides |
| Terminals: | 0.5-4mm ² x 5 |
| Dimming: | DALI enabled |
| Total system power consumption: | See table |
| Battery Wattage: | 20W |
| Battery Duration: | 60, 90 or 180 minutes (field selectable) |
| Operating Temp: | -20°C to +55°C |
| Harmonics: | IEC 61000-3-2 |
| Noise requirement /EMC: | EN 61547: 2009 Radiated and Conducted Emissions: EN 55015 |
| EMC Immunity: | EN 61547: 2009 |
| Transient protection: | 120-277 VAC models tested to withstand up to 6kV/3kA per IEEE C62.41. |
| THD: | < 20% |
| Power Factor: | > 0.9 |

Construction:

| | |
|----------|--|
| Housing: | Copper-free aluminium |
| Finish: | Superior dual coat finish -Sealed polyester topcoat -Chemical-resistant epoxy primer |
| Lens: | See table |
| Screws: | Stainless steel 316 |

Photometric Information:

| | |
|------|---|
| CRI: | 80 |
| CCT: | 5000K (cool white) 4000K (neutral white) |

All values typical unless otherwise stated (tolerance +/- 10%)

WARNING - INSTALLATION & SECONDARY RETENTION. Use of any Dialight products without proper installation (including secondary retention / netting) and periodic inspections could cause severe injury or death. Dialight recommends that all installations should use secondary retention / netting (appropriate to the installation environment) where applicable. It is the exclusive responsibility of the contractor, installer and/or end-user to: (a) determine the suitability of the product for its intended application; and, (b) ensure that the product is safely installed (with secondary retention / netting where appropriate) and in compliance with all applicable laws and regulations. To the extent permissible under applicable laws, Dialight disclaims all liability for personal injury and/or other damage resulting from any dislodgment or other dislocation of its products.

Vigilant® LED High Bay - RCM / CE

Ordering Information

RCM/CE - Standard Efficiency - Hook Mount

| Part Number | Fixture Lumens | Wattage | lm/W | Voltage | Colour Temperature (CCT) | Lens | Beam Distribution |
|-------------------------|----------------|---------|------|--------------------------|--------------------------|----------------------|-------------------|
| Glass Lens | | | | | | | |
| HEE7MN2ANH-VZGN | 11,400 | 80 | 143 | 100-277 VAC, 120-250 VDC | 4000K (neutral white) | Clear Tempered Glass | Medium |
| HEE7MN2BNH-VZGN | 14,600 | 100 | 146 | 100-277 VAC, 120-250 VDC | 4000K (neutral white) | Clear Tempered Glass | Medium |
| HEE7MN2CNH-VZGN | 19,400 | 130 | 149 | 100-277 VAC, 120-250 VDC | 4000K (neutral white) | Clear Tempered Glass | Medium |
| HEE7MN2ENH-VZGN | 27,000 | 185 | 146 | 100-277 VAC, 120-250 VDC | 4000K (neutral white) | Clear Tempered Glass | Medium |
| HEE7MC2ANH-VZGN | 11,600 | 80 | 145 | 100-277 VAC, 120-250 VDC | 5000K (cool white) | Clear Tempered Glass | Medium |
| HEE7MC2BNH-VZGN | 14,900 | 100 | 149 | 100-277 VAC, 120-250 VDC | 5000K (cool white) | Clear Tempered Glass | Medium |
| HEE7MC2CNH-VZGN | 19,800 | 130 | 152 | 100-277 VAC, 120-250 VDC | 5000K (cool white) | Clear Tempered Glass | Medium |
| HEE7MC2ENH-VZGN | 27,500 | 185 | 149 | 100-277 VAC, 120-250 VDC | 5000K (cool white) | Clear Tempered Glass | Medium |
| Acrylic Lens | | | | | | | |
| HEE2MN2ANH-VZGN | 11,300 | 80 | 141 | 100-277 VAC, 120-250 VDC | 4000K (neutral white) | Clear Acrylic | Medium |
| HEE2MN2BNH-VZGN | 14,500 | 100 | 145 | 100-277 VAC, 120-250 VDC | 4000K (neutral white) | Clear Acrylic | Medium |
| HEE2MN2CNH-VZGN | 19,200 | 130 | 148 | 100-277 VAC, 120-250 VDC | 4000K (neutral white) | Clear Acrylic | Medium |
| HEE2MN2ENH-VZGN | 26,700 | 185 | 144 | 100-277 VAC, 120-250 VDC | 4000K (neutral white) | Clear Acrylic | Medium |
| HEE2MC2ANH-VZGN | 11,500 | 80 | 144 | 100-277 VAC, 120-250 VDC | 5000K (cool white) | Clear Acrylic | Medium |
| HEE2MC2BNH-VZGN | 14,800 | 100 | 148 | 100-277 VAC, 120-250 VDC | 5000K (cool white) | Clear Acrylic | Medium |
| HEE2MC2CNH-VZGN | 19,600 | 130 | 151 | 100-277 VAC, 120-250 VDC | 5000K (cool white) | Clear Acrylic | Medium |
| HEE2MC2ENH-VZGN | 27,200 | 185 | 147 | 100-277 VAC, 120-250 VDC | 5000K (cool white) | Clear Acrylic | Medium |
| Polycarbonate Dome Lens | | | | | | | |
| HEEL2MN2ANH-VZGN | 11,100 | 80 | 139 | 100-277 VAC, 120-250 VDC | 4000K (neutral white) | Polycarbonate Dome | Medium |
| HEEL2MN2BNH-VZGN | 14,300 | 100 | 143 | 100-277 VAC, 120-250 VDC | 4000K (neutral white) | Polycarbonate Dome | Medium |
| HEEL2MN2CNH-VZGN | 19,000 | 130 | 146 | 100-277 VAC, 120-250 VDC | 4000K (neutral white) | Polycarbonate Dome | Medium |
| HEEL2MN2ENH-VZGN | 26,400 | 185 | 143 | 100-277 VAC, 120-250 VDC | 4000K (neutral white) | Polycarbonate Dome | Medium |
| HEEL2MC2ANH-VZGN | 11,400 | 80 | 143 | 100-277 VAC, 120-250 VDC | 5000K (cool white) | Polycarbonate Dome | Medium |
| HEEL2MC2BNH-VZGN | 14,600 | 100 | 146 | 100-277 VAC, 120-250 VDC | 5000K (cool white) | Polycarbonate Dome | Medium |
| HEEL2MC2CNH-VZGN | 19,400 | 130 | 149 | 100-277 VAC, 120-250 VDC | 5000K (cool white) | Polycarbonate Dome | Medium |
| HEEL2MC2ENH-VZGN | 27,000 | 185 | 146 | 100-277 VAC, 120-250 VDC | 5000K (cool white) | Polycarbonate Dome | Medium |

All values typical unless otherwise stated (tolerance +/- 10%).

For additional controls options including IntelliLED wireless controls, contact a Dialight sales representative for spec sheet.

Part numbers listed in bold are typically available in stock.

Historical part number provided for reference only. For performance characteristics of historical product, please contact your local representative.

Vigilant® LED High Bay - RCM / CE

Ordering Information

RCM/CE - Ultra High Efficiency - Hook Mount

| Part Number | Fixture Lumens | Wattage | lm/W | Voltage | Colour Temperature (CCT) | Lens | Beam Distribution | Battery Power |
|---------------------------------|----------------|---------|------|--------------------------|--------------------------|----------------------|-------------------|---------------|
| Glass Lens | | | | | | | | |
| VEE7MN2ANH-VZGN | 11,000 | 65 | 169 | 100-277 VAC, 120-250 VDC | 4000K (neutral white) | Clear Tempered Glass | Medium | N/A |
| VEE7MN2BNH-VZGN | 13,700 | 80 | 171 | 100-277 VAC, 120-250 VDC | 4000K (neutral white) | Clear Tempered Glass | Medium | N/A |
| VEE7MN2CNH-VZGN | 17,400 | 96 | 181 | 100-277 VAC, 120-250 VDC | 4000K (neutral white) | Clear Tempered Glass | Medium | N/A |
| VEE7MN2ENH-VZGN | 24,000 | 140 | 171 | 100-277 VAC, 120-250 VDC | 4000K (neutral white) | Clear Tempered Glass | Medium | N/A |
| VEE7MN2FNH-VZGN | 28,100 | 165 | 170 | 100-277 VAC, 120-250 VDC | 4000K (neutral white) | Clear Tempered Glass | Medium | N/A |
| VEE7MN2HNNH-VZGN | 32,300 | 195 | 166 | 100-277 VAC, 120-250 VDC | 4000K (neutral white) | Clear Tempered Glass | Medium | N/A |
| VEE7MN2JNH-VZGN | 37,400 | 230 | 163 | 100-277 VAC, 120-250 VDC | 4000K (neutral white) | Clear Tempered Glass | Medium | N/A |
| VEE7MC2ANH-VZGN | 11,000 | 65 | 169 | 100-277 VAC, 120-250 VDC | 5000K (cool white) | Clear Tempered Glass | Medium | N/A |
| VEE7MC2BNH-VZGN | 13,700 | 80 | 171 | 100-277 VAC, 120-250 VDC | 5000K (cool white) | Clear Tempered Glass | Medium | N/A |
| VEE7MC2CNH-VZGN | 17,400 | 96 | 181 | 100-277 VAC, 120-250 VDC | 5000K (cool white) | Clear Tempered Glass | Medium | N/A |
| VEE7MC2ENH-VZGN | 24,000 | 140 | 171 | 100-277 VAC, 120-250 VDC | 5000K (cool white) | Clear Tempered Glass | Medium | N/A |
| VEE7MC2FNH-VZGN | 28,100 | 165 | 170 | 100-277 VAC, 120-250 VDC | 5000K (cool white) | Clear Tempered Glass | Medium | N/A |
| VEE7MC2HNNH-VZGN | 32,300 | 195 | 166 | 100-277 VAC, 120-250 VDC | 5000K (cool white) | Clear Tempered Glass | Medium | N/A |
| VEE7MC2JNH-VZGN | 37,400 | 230 | 163 | 100-277 VAC, 120-250 VDC | 5000K (cool white) | Clear Tempered Glass | Medium | N/A |
| Glass Lens - 20W Battery Backup | | | | | | | | |
| VEE7MNGCAH-NNGH | 17,400 | 96 | 181 | 230-240 VAC | 4000K (neutral white) | Clear Tempered Glass | Medium | 20W |
| VEE7MNGEAH-NNGH | 24,000 | 140 | 171 | 230-240 VAC | 4000K (neutral white) | Clear Tempered Glass | Medium | 20W |
| VEE7MNGHAH-NNGH | 32,300 | 195 | 166 | 230-240 VAC | 4000K (neutral white) | Clear Tempered Glass | Medium | 20W |
| VEE7MNGJAH-NNGH | 37,400 | 230 | 163 | 230-240 VAC | 4000K (neutral white) | Clear Tempered Glass | Medium | 20W |
| VEE7MCGCAH-NNGH | 17,400 | 96 | 181 | 230-240 VAC | 5000K (cool white) | Clear Tempered Glass | Medium | 20W |
| VEE7MCGEAH-NNGH | 24,000 | 140 | 171 | 230-240 VAC | 5000K (cool white) | Clear Tempered Glass | Medium | 20W |
| VEE7MCGHAH-NNGH | 32,300 | 195 | 166 | 230-240 VAC | 5000K (cool white) | Clear Tempered Glass | Medium | 20W |
| VEE7MCGJAH-NNGH | 37,400 | 230 | 163 | 230-240 VAC | 5000K (cool white) | Clear Tempered Glass | Medium | 20W |

All values typical unless otherwise stated (tolerance +/- 10%).

For additional controls options including IntelliLED wireless controls, contact a Dialight sales representative for spec sheet.

Part numbers listed in bold are typically available in stock.

Historical part number provided for reference only. For performance characteristics of historical product, please contact your local representative.

DISCLAIMER. All product information provided is, to the best of Dialight's knowledge, accurate as of the date of publication. When ordering, refer to www.dialight.com for current versions of: (a) relevant product documentation (including the relevant product data sheets); (b) Dialight terms and conditions of sale; and, (c) the relevant product warranty. To the extent that any contract is deemed formed between Dialight and the purchaser of Dialight products and/or an end-user, versions of documents available at www.dialight.com as at the date of sale shall be the versions incorporated therein. In the event of any discrepancy between this document or information provided at www.dialight.com, the latter shall prevail.

Vigilant® LED High Bay - UL

Ordering Information

UL - Standard Efficiency - 3/4" NPT Mount

| Part Number | Fixture Lumens | Wattage | lm/W | Voltage | Colour Temperature (CCT) | Lens | Beam Distribution |
|-----------------|----------------|---------|------|--------------------------|--------------------------|----------------------|-------------------|
| Glass Lens | | | | | | | |
| HEU7MN2ANN-WNGN | 11,400 | 80 | 143 | 100-277 VAC, 120-250 VDC | 4000K (neutral white) | Clear Tempered Glass | Medium |
| HEU7MN2BNN-WNGN | 14,600 | 100 | 146 | 100-277 VAC, 120-250 VDC | 4000K (neutral white) | Clear Tempered Glass | Medium |
| HEU7MN2CNN-WNGN | 19,400 | 130 | 149 | 100-277 VAC, 120-250 VDC | 4000K (neutral white) | Clear Tempered Glass | Medium |
| HEU7MN2ENN-WNGN | 27,000 | 185 | 146 | 100-277 VAC, 120-250 VDC | 4000K (neutral white) | Clear Tempered Glass | Medium |
| HEU7MC2ANN-WNGN | 11,600 | 80 | 145 | 100-277 VAC, 120-250 VDC | 5000K (cool white) | Clear Tempered Glass | Medium |
| HEU7MC2BNN-WNGN | 14,900 | 100 | 149 | 100-277 VAC, 120-250 VDC | 5000K (cool white) | Clear Tempered Glass | Medium |
| HEU7MC2CNN-WNGN | 19,800 | 130 | 152 | 100-277 VAC, 120-250 VDC | 5000K (cool white) | Clear Tempered Glass | Medium |
| HEU7MC2ENN-WNGN | 27,500 | 185 | 149 | 100-277 VAC, 120-250 VDC | 5000K (cool white) | Clear Tempered Glass | Medium |
| Acrylic Lens | | | | | | | |
| HEU2MN2ANN-WNGN | 11,300 | 80 | 141 | 100-277 VAC, 120-250 VDC | 4000K (neutral white) | Clear Acrylic | Medium |
| HEU2MN2BNN-WNGN | 14,500 | 100 | 145 | 100-277 VAC, 120-250 VDC | 4000K (neutral white) | Clear Acrylic | Medium |
| HEU2MN2CNN-WNGN | 19,200 | 130 | 148 | 100-277 VAC, 120-250 VDC | 4000K (neutral white) | Clear Acrylic | Medium |
| HEU2MN2ENN-WNGN | 26,700 | 185 | 144 | 100-277 VAC, 120-250 VDC | 4000K (neutral white) | Clear Acrylic | Medium |
| HEU2MC2ANN-WNGN | 11,500 | 80 | 144 | 100-277 VAC, 120-250 VDC | 5000K (cool white) | Clear Acrylic | Medium |
| HEU2MC2BNN-WNGN | 14,800 | 100 | 148 | 100-277 VAC, 120-250 VDC | 5000K (cool white) | Clear Acrylic | Medium |
| HEU2MC2CNN-WNGN | 19,600 | 130 | 151 | 100-277 VAC, 120-250 VDC | 5000K (cool white) | Clear Acrylic | Medium |
| HEU2MC2ENN-WNGN | 27,200 | 185 | 147 | 100-277 VAC, 120-250 VDC | 5000K (cool white) | Clear Acrylic | Medium |

All values typical unless otherwise stated (tolerance +/- 10%).

For additional controls options including IntelliLED wireless controls, contact a Dialight sales representative for spec sheet.

Part numbers listed in bold are typically available in stock.

Historical part number provided for reference only. For performance characteristics of historical product, please contact your local representative.

DISCLAIMER. All product information provided is, to the best of Dialight's knowledge, accurate as of the date of publication. When ordering, refer to www.dialight.com for current versions of: (a) relevant product documentation (including the relevant product data sheets); (b) Dialight terms and conditions of sale; and, (c) the relevant product warranty. To the extent that any contract is deemed formed between Dialight and the purchaser of Dialight products and/or an end-user, versions of documents available at www.dialight.com as at the date of sale shall be the versions incorporated therein. In the event of any discrepancy between this document or information provided at www.dialight.com, the latter shall prevail.

Vigilant® LED High Bay - UL

Ordering Information

UL - Ultra High Efficiency - 3/4" NPT Mount

| Part Number | Fixture Lumens | Wattage | lm/W | Voltage | Colour Temperature (CCT) | Lens | Beam Distribution | Power Supply |
|---------------------------------|----------------|---------|------|--------------------------|--------------------------|----------------------|-------------------|--------------|
| Glass Lens | | | | | | | | |
| VEU7MN2ANN-WNGN | 11,000 | 65 | 169 | 100-277 VAC, 120-250 VDC | 4000K (neutral white) | Clear Tempered Glass | Medium | N/A |
| VEU7MN2BNN-WNGN | 13,700 | 80 | 171 | 100-277 VAC, 120-250 VDC | 4000K (neutral white) | Clear Tempered Glass | Medium | N/A |
| VEU7MN2CNN-WNGN | 17,400 | 96 | 181 | 100-277 VAC, 120-250 VDC | 4000K (neutral white) | Clear Tempered Glass | Medium | N/A |
| VEU7MN2ENN-WNGN | 24,000 | 140 | 171 | 100-277 VAC, 120-250 VDC | 4000K (neutral white) | Clear Tempered Glass | Medium | N/A |
| VEU7MN2FNN-WNGN | 28,100 | 165 | 170 | 100-277 VAC, 120-250 VDC | 4000K (neutral white) | Clear Tempered Glass | Medium | N/A |
| VEU7MN2HNN-WNGN | 32,300 | 195 | 166 | 100-277 VAC, 120-250 VDC | 4000K (neutral white) | Clear Tempered Glass | Medium | N/A |
| VEU7MN2JNN-WNGN | 37,400 | 230 | 163 | 100-277 VAC, 120-250 VDC | 4000K (neutral white) | Clear Tempered Glass | Medium | N/A |
| VEU7MC2ANN-WNGN | 11,000 | 65 | 169 | 100-277 VAC, 120-250 VDC | 5000K (cool white) | Clear Tempered Glass | Medium | N/A |
| VEU7MC2BNN-WNGN | 13,700 | 80 | 171 | 100-277 VAC, 120-250 VDC | 5000K (cool white) | Clear Tempered Glass | Medium | N/A |
| VEU7MC2CNN-WNGN | 17,400 | 96 | 181 | 100-277 VAC, 120-250 VDC | 5000K (cool white) | Clear Tempered Glass | Medium | N/A |
| VEU7MC2ENN-WNGN | 24,000 | 140 | 171 | 100-277 VAC, 120-250 VDC | 5000K (cool white) | Clear Tempered Glass | Medium | N/A |
| VEU7MC2FNN-WNGN | 28,100 | 165 | 170 | 100-277 VAC, 120-250 VDC | 5000K (cool white) | Clear Tempered Glass | Medium | N/A |
| VEU7MC2HNN-WNGN | 32,300 | 195 | 166 | 100-277 VAC, 120-250 VDC | 5000K (cool white) | Clear Tempered Glass | Medium | N/A |
| VEU7MC2JNN-WNGN | 37,400 | 230 | 163 | 100-277 VAC, 120-250 VDC | 5000K (cool white) | Clear Tempered Glass | Medium | N/A |
| Glass Lens - 20W Battery Backup | | | | | | | | |
| VEU7MNGCAH-NNGH | 17,400 | 96 | 181 | 230-240 VAC | 4000K (neutral white) | Clear Tempered Glass | Medium | 20W |
| VEU7MNGEAH-NNGH | 24,000 | 140 | 171 | 230-240 VAC | 4000K (neutral white) | Clear Tempered Glass | Medium | 20W |
| VEU7MNGHAH-NNGH | 32,300 | 195 | 166 | 230-240 VAC | 4000K (neutral white) | Clear Tempered Glass | Medium | 20W |
| VEU7MNGJAH-NNGH | 37,400 | 230 | 163 | 230-240 VAC | 4000K (neutral white) | Clear Tempered Glass | Medium | 20W |
| VEU7MCGCAH-NNGH | 17,400 | 96 | 181 | 230-240 VAC | 5000K (cool white) | Clear Tempered Glass | Medium | 20W |
| VEU7MCGEAH-NNGH | 24,000 | 140 | 171 | 230-240 VAC | 5000K (cool white) | Clear Tempered Glass | Medium | 20W |
| VEU7MCGHAH-NNGH | 32,300 | 195 | 166 | 230-240 VAC | 5000K (cool white) | Clear Tempered Glass | Medium | 20W |
| VEU7MCGJAH-NNGH | 37,400 | 230 | 163 | 230-240 VAC | 5000K (cool white) | Clear Tempered Glass | Medium | 20W |

All values typical unless otherwise stated (tolerance +/- 10%).

For additional controls options including IntelliLED wireless controls, contact a Dialight sales representative for spec sheet.

Part numbers listed in bold are typically available in stock.

Historical part number provided for reference only. For performance characteristics of historical product, please contact your local representative.

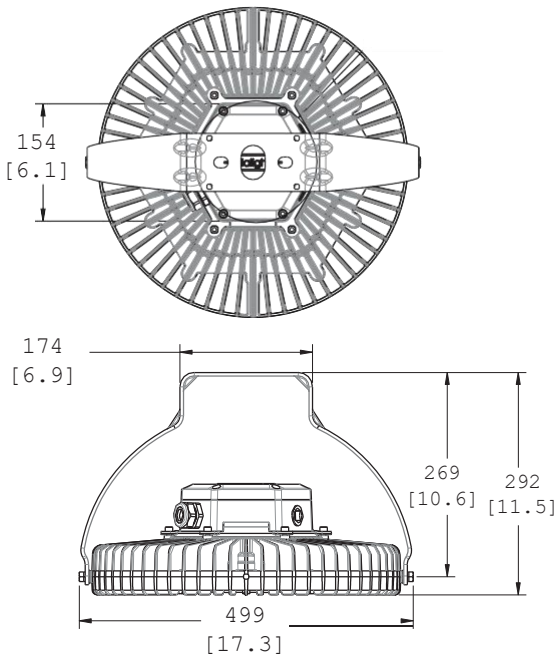
DISCLAIMER. All product information provided is, to the best of Dialight's knowledge, accurate as of the date of publication. When ordering, refer to www.dialight.com for current versions of: (a) relevant product documentation (including the relevant product data sheets); (b) Dialight terms and conditions of sale; and, (c) the relevant product warranty. To the extent that any contract is deemed formed between Dialight and the purchaser of Dialight products and/or an end-user, versions of documents available at www.dialight.com as at the date of sale shall be the versions incorporated therein. In the event of any discrepancy between this document or information provided at www.dialight.com, the latter shall prevail.

Vigilant® LED High Bay Integrated Wiring Box Models



Certifications & Ratings

- 10 year warranty
- L70 >150,000 hours @ 25°C ambient
- CE / RCM / UL 1598/A (wet locations)
- IK10 to EN 50102 (Polycarbonate lens)
IK06 to EN 50102 (Acrylic lens)
IK05 to EN 50102 (Glass lens)



| Comparison | | |
|-----------------------|----------|----------|
| | Warranty | L70 |
| Dialight LED High Bay | 10yr | >150,000 |
| Metal Halide | 1 | 15,000 |
| High Pressure Sodium | 1 | 20,000 |

Mechanical Information:

| | |
|------------------|----------------------------|
| Fixture weight: | 9.1 kg (20 lb) |
| Shipping weight: | 11.8 kg (26 lb) |
| Mounting: | Various kits (see page 10) |
| Cable entries: | M25 x 3 |
| Terminals: | 0.5-4mm ² x 5 |

Dimming Information:

| | |
|----------------|-----------------------------|
| Dimming: | DALI 1.0 and 2.0 compatible |
| Dimming Range: | 100-5% |

Electrical Specifications:

| | |
|---------------------------------|---|
| Operating Voltage: | 100-277 VAC 120-250 VDC |
| Total system power consumption: | See table |
| Operating Temp: | -40°C to +65°C |
| Harmonics: | IEC 61000-3-2 |
| Noise requirement /EMC: | EN 61547: 2009 Radiated and Conducted Emissions: EN 55015 |
| EMC Immunity: | EN 61547: 2009 |
| Transient protection: | Tested to withstand up to 8kV/4kA per IEEC C62.41 |

| | |
|---------------|-------|
| THD: | < 20% |
| Power Factor: | > 0.9 |

Construction:

| | |
|----------|--|
| Housing: | Copper-free aluminium |
| Finish: | Superior dual coat finish -Sealed polyester topcoat -Chemical-resistant epoxy primer |
| Lens: | See table |
| Screws: | Stainless steel 316 |

Photometric Information:

| | |
|------|--|
| CRI: | 80 |
| CCT: | 5000K (cool white) 4000K (neutral white) 2700K |

All values typical unless otherwise stated (tolerance +/- 10%)

Vigilant® LED High Bay - RCM / CE / UL

Integrated Wiring Box - Ordering Information



RCM/CE - Integrated Wiring Box - DALI with HBXW3 Bracket

| Part Number | Fixture Lumens | Wattage | lm/W | Voltage | Colour Temperature (CCT) | Lens | Beam Distribution |
|-----------------------|----------------|---------|------|--------------------------|--------------------------|----------------------|-------------------|
| Standard Efficiency | | | | | | | |
| HWE7MN2AAA-NNGN | 11,400 | 80 | 143 | 100-277 VAC, 120-250 VDC | 4000K (neutral white) | Clear Tempered Glass | Medium |
| HWE7MN2BAA-NNGN | 14,600 | 100 | 146 | 100-277 VAC, 120-250 VDC | 4000K (neutral white) | Clear Tempered Glass | Medium |
| HWE7MN2CAA-NNGN | 19,400 | 130 | 149 | 100-277 VAC, 120-250 VDC | 4000K (neutral white) | Clear Tempered Glass | Medium |
| HWE7MN2EAA-NNGN | 27,000 | 185 | 146 | 100-277 VAC, 120-250 VDC | 4000K (neutral white) | Clear Tempered Glass | Medium |
| HWE7MC2AAA-NNGN | 11,600 | 80 | 145 | 100-277 VAC, 120-250 VDC | 5000K (cool white) | Clear Tempered Glass | Medium |
| HWE7MC2BAA-NNGN | 14,900 | 100 | 149 | 100-277 VAC, 120-250 VDC | 5000K (cool white) | Clear Tempered Glass | Medium |
| HWE7MC2CAA-NNGN | 19,800 | 130 | 152 | 100-277 VAC, 120-250 VDC | 5000K (cool white) | Clear Tempered Glass | Medium |
| HWE7MC2EAA-NNGN | 27,500 | 185 | 149 | 100-277 VAC, 120-250 VDC | 5000K (cool white) | Clear Tempered Glass | Medium |
| Ultra High Efficiency | | | | | | | |
| VWE7MN2HAA-NNGN | 32,300 | 195 | 166 | 100-277 VAC, 120-250 VDC | 4000K (neutral white) | Clear Tempered Glass | Medium |
| VWE7MN2JAA-NNGN | 37,400 | 230 | 163 | 100-277 VAC, 120-250 VDC | 4000K (neutral white) | Clear Tempered Glass | Medium |
| VWE7MC2HAA-NNGN | 32,300 | 195 | 166 | 100-277 VAC, 120-250 VDC | 5000K (cool white) | Clear Tempered Glass | Medium |
| VWEMC2JAA-NNGN | 37,400 | 230 | 163 | 100-277 VAC, 120-250 VDC | 5000K (cool white) | Clear Tempered Glass | Medium |

UL - Integrated Wiring Box - DALI with HBXW3 Bracket

| Part Number | Fixture Lumens | Wattage | lm/W | Voltage | Colour Temperature (CCT) | Lens | Beam Distribution |
|-----------------------|----------------|---------|------|--------------------------|--------------------------|----------------------|-------------------|
| Standard Efficiency | | | | | | | |
| HWU7MN2AAA-NNGN | 11,400 | 80 | 143 | 100-277 VAC, 120-250 VDC | 4000K (neutral white) | Clear Tempered Glass | Medium |
| HWU7MN2BAA-NNGN | 14,600 | 100 | 146 | 100-277 VAC, 120-250 VDC | 4000K (neutral white) | Clear Tempered Glass | Medium |
| HWU7MN2CAA-NNGN | 19,400 | 130 | 149 | 100-277 VAC, 120-250 VDC | 4000K (neutral white) | Clear Tempered Glass | Medium |
| HWU7MN2EAA-NNGN | 27,000 | 185 | 146 | 100-277 VAC, 120-250 VDC | 4000K (neutral white) | Clear Tempered Glass | Medium |
| HWU7MC2AAA-NNGN | 11,600 | 80 | 145 | 100-277 VAC, 120-250 VDC | 5000K (cool white) | Clear Tempered Glass | Medium |
| HWU7MC2BAA-NNGN | 14,900 | 100 | 149 | 100-277 VAC, 120-250 VDC | 5000K (cool white) | Clear Tempered Glass | Medium |
| HWU7MC2CAA-NNGN | 19,800 | 130 | 152 | 100-277 VAC, 120-250 VDC | 5000K (cool white) | Clear Tempered Glass | Medium |
| HWU7MC2EAA-NNGN | 27,500 | 185 | 149 | 100-277 VAC, 120-250 VDC | 5000K (cool white) | Clear Tempered Glass | Medium |
| Ultra High Efficiency | | | | | | | |
| VWU7MN2HAA-NNGN | 32,300 | 195 | 166 | 100-277 VAC, 120-250 VDC | 4000K (neutral white) | Clear Tempered Glass | Medium |
| VWU7MN2JAA-NNGN | 37,400 | 230 | 163 | 100-277 VAC, 120-250 VDC | 4000K (neutral white) | Clear Tempered Glass | Medium |
| VWE7MC2HAA-NNGN | 32,300 | 195 | 166 | 100-277 VAC, 120-250 VDC | 5000K (cool white) | Clear Tempered Glass | Medium |
| VWE7MC2JAA-NNGN | 37,400 | 230 | 163 | 100-277 VAC, 120-250 VDC | 5000K (cool white) | Clear Tempered Glass | Medium |

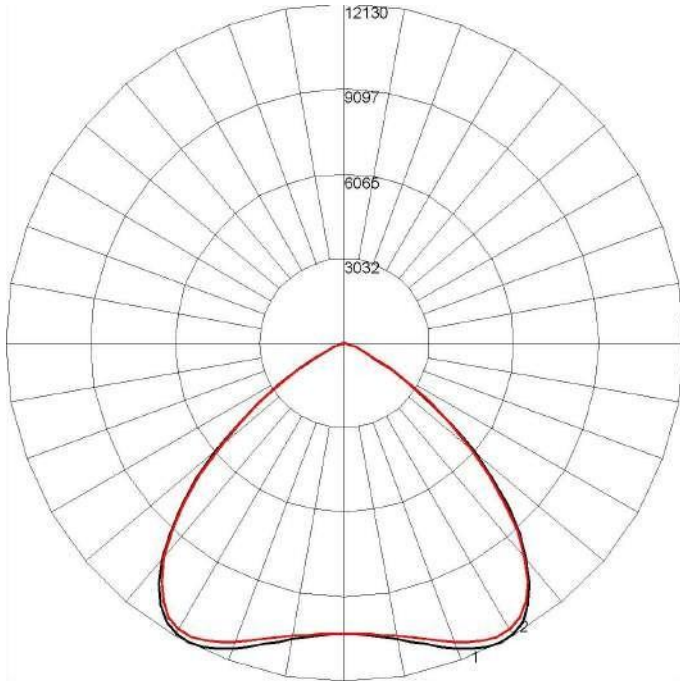
All values typical unless otherwise stated (tolerance +/- 10%).

Flat clear acrylic lens available. Consult local Dialight sales office for availability.

Historical part number provided for reference only. For performance characteristics of historical product, please contact your local representative.

DISCLAIMER. All product information provided is, to the best of Dialight's knowledge, accurate as of the date of publication. When ordering, refer to www.dialight.com for current versions of: (a) relevant product documentation (including the relevant product data sheets); (b) Dialight terms and conditions of sale; and, (c) the relevant product warranty. To the extent that any contract is deemed formed between Dialight and the purchaser of Dialight products and/or an end-user, versions of documents available at www.dialight.com as at the date of sale shall be the versions incorporated therein. In the event of any discrepancy between this document or information provided at www.dialight.com, the latter shall prevail.

Beam Distribution Medium



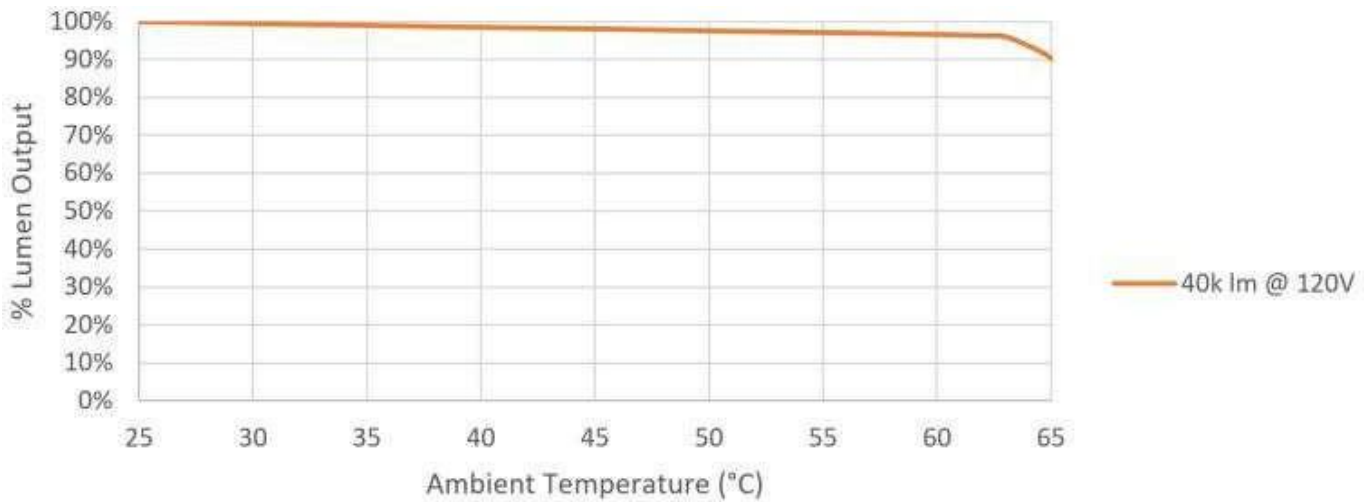
Maximum Candela = 12129.5 Located At Horizontal Angle = 0, Vertical Angle = 27.5
 # 1 - Vertical Plane Through Horizontal Angles (0 - 180)
 # 2 - Vertical Plane Through Horizontal Angles (90 - 270)

Lumen Output Battery Backup

| Typical Lumen Output | Wattage | Lumens in EM Mode (20W Battery) |
|----------------------|---------|---------------------------------|
| 11k | 65 | 3380 |
| 13k | 80 | 3420 |
| 17k | 96 | 3260 |
| 24k | 140 | 3420 |
| 28k | 165 | 3400 |
| 32k | 195 | 3320 |
| 37k | 230 | 3260 |

Typical output based on Glass lens, Med optic. Output may vary slightly with different options. Tolerance +/- 10%.

Thermal Roll-Off



DISCLAIMER. All product information provided is, to the best of Dialight's knowledge, accurate as of the date of publication. When ordering, refer to www.dialight.com for current versions of: (a) relevant product documentation (including the relevant product data sheets); (b) Dialight terms and conditions of sale; and, (c) the relevant product warranty. To the extent that any contract is deemed formed between Dialight and the purchaser of Dialight products and/or an end-user, versions of documents available at www.dialight.com as at the date of sale shall be the versions incorporated therein. In the event of any discrepancy between this document or information provided at www.dialight.com, the latter shall prevail.

In Rush Currents

| Model | Max Wattage | In rush current @ input voltage | | | | Approximate time duration (T50) of in rush current | | | |
|-------|-------------|---------------------------------|---------|---------|---------|--|---------|---------|---------|
| | | 100 VAC | 120 VAC | 230 VAC | 277 VAC | 100 VAC | 120 VAC | 230 VAC | 277 VAC |
| 11k | 86 | 6.4 | 7.7 | 14.8 | 17.8 | 1.5ms | 1.5ms | 1.5ms | 1.5ms |
| 14k | 109 | 6.4 | 7.7 | 14.8 | 17.8 | 1.5ms | 1.5ms | 1.5ms | 1.5ms |
| 19k | 145 | 6.4 | 7.7 | 14.8 | 17.8 | 1.5ms | 1.5ms | 1.5ms | 1.5ms |
| 26k | 205 | 6.4 | 7.7 | 14.8 | 17.8 | 1.5ms | 1.5ms | 1.5ms | 1.5ms |
| 30k | 190 | 6.4 | 7.7 | 14.8 | 17.8 | 1.5ms | 1.5ms | 1.5ms | 1.5ms |
| 35k | 225 | 6.4 | 7.7 | 14.8 | 17.8 | 1.5ms | 1.5ms | 1.5ms | 1.5ms |
| 40k | 261 | 6.4 | 7.7 | 14.8 | 17.8 | 1.5ms | 1.5ms | 1.5ms | 1.5ms |

Lumen Maintenance Factor

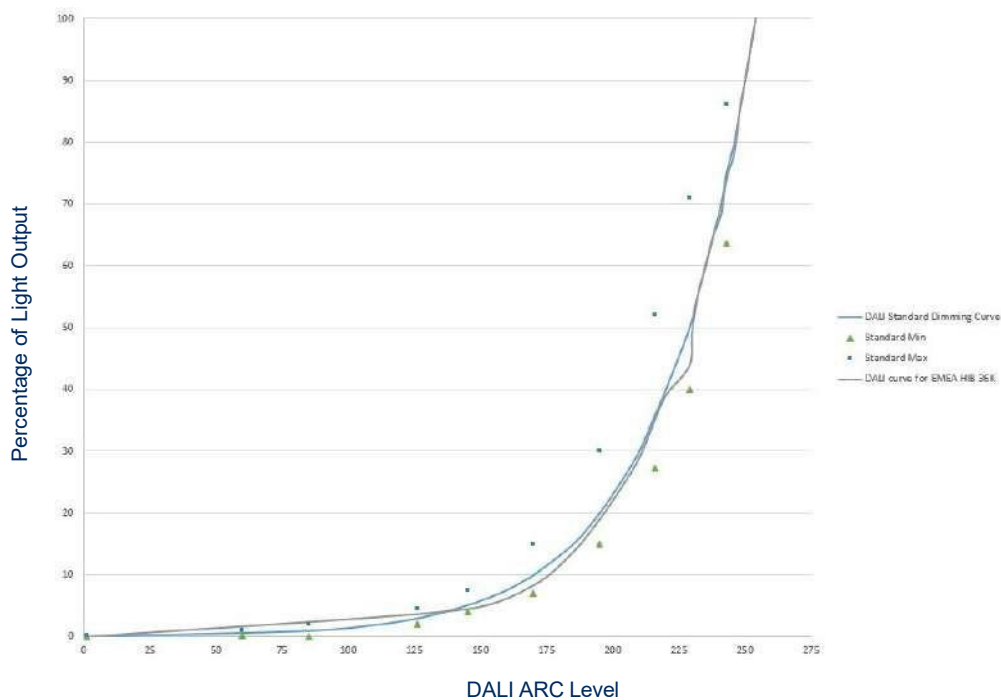
| % Lumen Output (40k lm @ 120V) | | | | | | | | | |
|--------------------------------|-------|-------|-------|-------|-------|-------|-------|--------|--------|
| Ambient Temp (°C) | Hours | | | | | | | | |
| | 0 | 15000 | 30000 | 45000 | 60000 | 75000 | 90000 | 100000 | 150000 |
| 25 | 100% | 96% | 93% | 90% | 87% | 84% | 81% | 80% | 71% |
| 30 | 100% | 96% | 93% | 90% | 87% | 84% | 81% | 79% | 71% |
| 35 | 99% | 95% | 92% | 89% | 86% | 84% | 80% | 79% | 71% |
| 40 | 99% | 95% | 92% | 89% | 86% | 83% | 80% | 79% | 70% |
| 45 | 98% | 94% | 91% | 88% | 85% | 82% | 80% | 78% | 69% |
| 50 | 98% | 94% | 91% | 87% | 84% | 82% | 79% | 77% | 69% |
| 55 | 97% | 93% | 90% | 87% | 84% | 81% | 78% | 76% | 68% |
| 60 | 97% | 93% | 89% | 86% | 83% | 80% | 77% | 75% | 67% |
| 65 | 90% | 87% | 84% | 80% | 78% | 75% | 72% | 70% | 62% |

DISCLAIMER. All product information provided is, to the best of Dialight's knowledge, accurate as of the date of publication. When ordering, refer to www.dialight.com for current versions of: (a) relevant product documentation (including the relevant product data sheets); (b) Dialight terms and conditions of sale; and, (c) the relevant product warranty. To the extent that any contract is deemed formed between Dialight and the purchaser of Dialight products and/or an end-user, versions of documents available at www.dialight.com as at the date of sale shall be the versions incorporated therein. In the event of any discrepancy between this document or information provided at www.dialight.com, the latter shall prevail.

Circuit Breaker

| Model | Maximum # of Lights per Breaker @ 100 VAC | | | Maximum # of Lights per Breaker @ 120 VAC | | | Maximum # of Lights per Breaker @ 230 VAC | | | Maximum # of Lights per Breaker @ 277 VAC | | |
|-------|---|-----|-----|---|-----|-----|---|-----|-----|---|-----|-----|
| | C10 | B16 | C16 | C10 | B16 | C16 | C10 | B16 | C16 | C10 | B16 | C16 |
| 11k | 8 | 13 | 13 | 10 | 16 | 16 | 19 | 30 | 30 | 22 | 35 | 35 |
| 14k | 6 | 10 | 10 | 8 | 12 | 12 | 15 | 24 | 24 | 17 | 28 | 28 |
| 19k | 5 | 8 | 8 | 6 | 9 | 9 | 11 | 18 | 18 | 13 | 20 | 20 |
| 26k | 3 | 5 | 5 | 4 | 7 | 7 | 8 | 13 | 13 | 9 | 15 | 15 |
| 30k | 4 | 6 | 6 | 5 | 7 | 7 | 9 | 14 | 14 | 10 | 17 | 17 |
| 35k | 3 | 5 | 5 | 4 | 6 | 6 | 8 | 12 | 12 | 9 | 14 | 14 |
| 40k | 3 | 4 | 4 | 3 | 5 | 5 | 7 | 10 | 10 | 8 | 12 | 12 |

DALI Dimming Curve



DISCLAIMER. All product information provided is, to the best of Dialight's knowledge, accurate as of the date of publication. When ordering, refer to www.dialight.com for current versions of: (a) relevant product documentation (including the relevant product data sheets); (b) Dialight terms and conditions of sale; and, (c) the relevant product warranty. To the extent that any contract is deemed formed between Dialight and the purchaser of Dialight products and/or an end-user, versions of documents available at www.dialight.com as at the date of sale shall be the versions incorporated therein. In the event of any discrepancy between this document or information provided at www.dialight.com, the latter shall prevail.

Earth Leakage

| Voltage | Typical Measurements | | | |
|-----------|----------------------|---|-------------------------|----------------------------------|
| | Normal (mA) | Live to Neutral or L1 to L2 Reversed (mA) | Neutral or L2 Open (mA) | Neutral or L2 Open Reversed (mA) |
| 120V/60Hz | 0.27 | 0.25 | 0.46 | 0.45 |
| 230V/50Hz | 0.41 | 0.40 | 0.78 | 0.77 |
| 277V/60Hz | 0.56 | 0.56 | 1.05 | 1.03 |

Vigilant® LED High Bay - RCM / CE / UL Mounting Accessories



HBXW3-SS¹
 • 316 stainless steel swivel bracket



HBXW3-SSL-316M¹
 • 316 stainless steel adjustable locking bracket



HBXCAB48
 • 48" long stainless steel safety rope (for use with safety retention tabs)



HBXSBL
 • LED High Bay textured flat lens
HBXSBK
 • LED High Bay sacrificial flat lens



HBXSBDL
 • LED High Bay sacrificial dome lens
HBXSBDK
 • LED High Bay textured dome lens



HBXCG
 • Cable gland



HBXW3-SSL-316FTM¹
 • 316 stainless steel forward throw bracket



HBXSB
 • 316 stainless steel safety retention tabs (4x)



HBXCU
 • Ceiling / wall mount
 • UL only



HBXW2¹
 • Aluminum swivel bracket and cable gland
HBXW3¹
 • Aluminum swivel bracket



HBBATTKIT20
 • 20W replacement battery



HBXHL
 • Hook/Loop
 • For use with 3 conductor cable only

¹Brackets not compatible with Battery Backup models.

DISCLAIMER. All product information provided is, to the best of Dialight's knowledge, accurate as of the date of publication. When ordering, refer to www.dialight.com for current versions of: (a) relevant product documentation (including the relevant product data sheets); (b) Dialight terms and conditions of sale; and, (c) the relevant product warranty. To the extent that any contract is deemed formed between Dialight and the purchaser of Dialight products and/or an end-user, versions of documents available at www.dialight.com as at the date of sale shall be the versions incorporated therein. In the event of any discrepancy between this document or information provided at www.dialight.com, the latter shall prevail.

Australia

108 Howe Street
Osborne Park, WA 6017
Tel: +61 (0) 8 9244 7600
Fax: +61 (0) 8 9244 7601
info@dialight.com.au

Southeast Asia

33 Ubi Avenue 3
#07-72 Vertex (Tower A)
Singapore 408868
Tel: +65 6578 7157
Fax: +65 6578 7150
enquiry@dialight.com.sg

WARNING / DISCLAIMERS:

Installation & secondary retention. The use of this product without proper installation (including secondary retention / netting) and periodic inspections, could cause severe injury or death. Dialight recommends that all installations should use secondary retention / netting (appropriate to the installation environment) as applicable. Dialight products are intended for ultimate purchase, installation and operation by knowledgeable persons trained in the functional assessment, installation, use and maintenance of such products and all customers (including but not limited to end customers) are responsible for assessing the suitability of Dialight products for any given installation requirement. It is the exclusive responsibility of the contractor, installer and/or end-user to: (a) determine the suitability of the product for its intended application; and, (b) ensure that the product is safely installed (with secondary retention / netting as appropriate) and in compliance with all applicable laws and regulations.

Product specifications & warranties. All product information provided is, to the best of Dialight's knowledge, accurate as of the date of publication. All values and performance data herein are design or typical values when measured under laboratory conditions. The information herein is subject to change without notice. The products / software detailed herein are subject to applicable warranties and terms and conditions of use/purchase. Unless agreed otherwise in writing by an authorized representative of Dialight, Dialight does not represent that its products are fit for any particular purpose and accepts no liability for the installation and/or unauthorised use of its products. When ordering, refer to www.dialight.com for current versions of: (a) relevant product documentation (including relevant product data sheets); (b) Dialight terms and conditions of sale; and, (c) the relevant product warranties. To the extent that any contract is deemed formed between Dialight and the purchaser of Dialight products and/or an end-user, versions of documents available at www.dialight.com as at the date of sale shall be the versions incorporated therein. In the event of any discrepancy between this document and information provided at www.dialight.com, the latter shall prevail.

Exclusion of liability. To the extent permissible under the relevant law, Dialight disclaims all liability for personal injury and/or other damage resulting from any dislodgment or other dislocation of its products. Whilst Dialight has used its reasonable endeavours to ensure the completeness and accuracy of information herein, Dialight does not assume any liability for damages resulting from use of this information or for any third-party representations made in relation to Dialight products.



Dialight® LED High Output High Bay - Low Profile

Technical Specification Sheet - APAC

Vigilant® LED High Output High Bay - Low Profile

Standard Models



Certifications & Ratings*

- 10 year warranty
- CE / RCM / ENEC
- IP66/67
- IK10 (polycarbonate) / IK06 (glass)
- L70 > 150,000 hours
- Factory installed secondary retention bracket, optional safety cable accessory available

*Values based on preliminary data awaiting validation or certification.

Mechanical Information:

| | |
|------------------|------------------|
| Fixture weight: | 21.8 kg (48 lbs) |
| Shipping weight: | 28.1 kg (62 lbs) |
| Mounting: | (1) Loop |
| Wiring entries: | (2) M25 |

Materials:

| | |
|---------------|--|
| Housing: | A360 Die-cast aluminium |
| Finish: | Superior dual coat finish - Sealed polyester topcoat - Chemical-resistant epoxy primer |
| Lens options: | Tempered glass, Acrylic or Polycarbonate |
| Hardware: | 316 Stainless Steel |

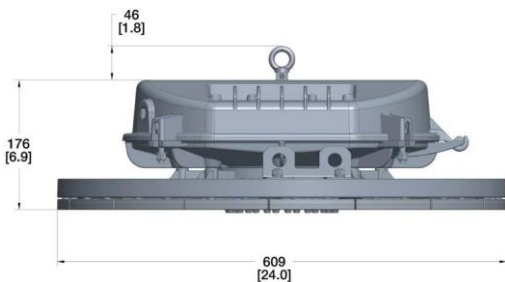
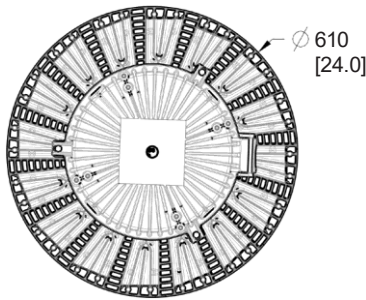
Electrical Specifications:

| | |
|---------------------------------|---|
| Operating voltage: | 120-277 VAC, 50/60Hz |
| Total system power consumption: | See table |
| Operating temperature: | -40°C to +65°C |
| Harmonics: | IEC 61000-3-2 Class C |
| Surge protection: | Tested to IEC 61000-4-5 6kV/3kA, 1.2/50, 8/20us Combination wave Line-line and line-ground |
| THD: | < 20% |
| Power factor: | > 0.9 |

Photometric Information:

| | |
|------|---|
| CRI: | 80 |
| CCT: | 5000K (cool white) 4000K (neutral white) |

All values typical unless otherwise stated (tolerance +/- 10%)



Dimensions in mm [inches]

WARNING - INSTALLATION & SECONDARY RETENTION. Use of any Dialight products without proper installation (including secondary retention / netting) and periodic inspections could cause severe injury or death. Dialight recommends that all installations should use secondary retention / netting (appropriate to the installation environment) where applicable. It is the exclusive responsibility of the contractor, installer and/or end-user to: (a) determine the suitability of the product for its intended application; and, (b) ensure that the product is safely installed (with secondary retention / netting where appropriate) and in compliance with all applicable laws and regulations. To the extent permissible under applicable laws, Dialight disclaims all liability for personal injury and/or other damage resulting from any dislodgment or other dislocation of its products.

Ordering Information

Vigilant® LED High Output High Bay - Low Profile - Standard Models



| Part Number | Fixture Lumen | Watt | lm/W | Voltage | CCT | CRI | Lens | Beam Distribution | Dimming |
|---|---------------|------|------|-------------|-----------------------|-----|-------|-------------------|---------|
| CE Standard Models - 120-277 VAC Models | | | | | | | | | |
| H7E-7NN2-KDHN-NGN | 46,000 | 300 | 153 | 120-277 VAC | 4000K (neutral white) | 80 | Glass | Narrow | 0-10V |
| H7E-7MN2-KDHN-NGN | 46,000 | 300 | 153 | 120-277 VAC | 4000K (neutral white) | 80 | Glass | Medium | 0-10V |
| H7E-7NN2-NDHN-NGN | 61,200 | 418 | 146 | 120-277 VAC | 4000K (neutral white) | 80 | Glass | Narrow | 0-10V |
| H7E-7MN2-NDHN-NGN | 61,200 | 418 | 146 | 120-277 VAC | 4000K (neutral white) | 80 | Glass | Medium | 0-10V |
| H7E-7NN2-RDHN-NGN | 70,500 | 485 | 145 | 120-277 VAC | 4000K (neutral white) | 80 | Glass | Narrow | 0-10V |
| H7E-7NC2-KDHN-NGN | 46,000 | 300 | 153 | 120-277 VAC | 5000K (cool white) | 80 | Glass | Narrow | 0-10V |
| H7E-7MC2-KDHN-NGN | 46,000 | 300 | 153 | 120-277 VAC | 5000K (cool white) | 80 | Glass | Medium | 0-10V |
| H7E-7NC2-NDHN-NGN | 61,200 | 418 | 146 | 120-277 VAC | 5000K (cool white) | 80 | Glass | Narrow | 0-10V |
| H7E-7MC2-NDHN-NGN | 61,200 | 418 | 146 | 120-277 VAC | 5000K (cool white) | 80 | Glass | Medium | 0-10V |
| H7E-7NC2-RDHN-NGN | 70,500 | 485 | 145 | 120-277 VAC | 5000K (cool white) | 80 | Glass | Narrow | 0-10V |

All values typical unless otherwise stated (tolerance +/- 10%).

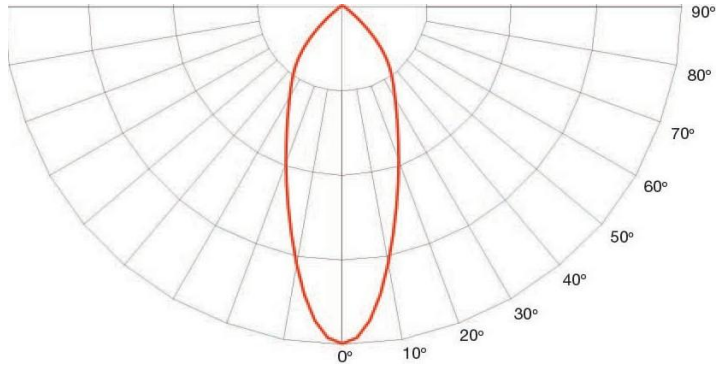
Part numbers listed in bold are typically available in stock.

Cool white color temperature (5000K) is available for products in the above table. Replace the sixth character N with C. Ex. H7E-7**MN**2-RDHN-NGN becomes H7E-7**MC**2-RDHN-NGN.

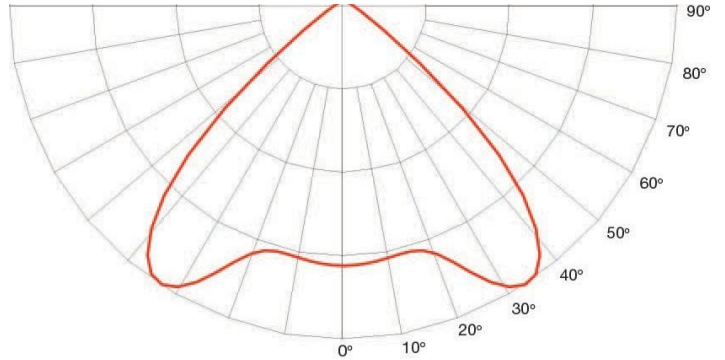
WARNING - INSTALLATION & SECONDARY RETENTION. Use of any Dialight products without proper installation (including secondary retention / netting) and periodic inspections could cause severe injury or death. Dialight recommends that all installations should use secondary retention / netting (appropriate to the installation environment) where applicable. It is the exclusive responsibility of the contractor, installer and/or end-user to: (a) determine the suitability of the product for its intended application; and, (b) ensure that the product is safely installed (with secondary retention / netting where appropriate) and in compliance with all applicable laws and regulations. To the extent permissible under applicable laws, Dialight disclaims all liability for personal injury and/or other damage resulting from any dislodgment or other dislocation of its products.

Beam Distribution

Narrow

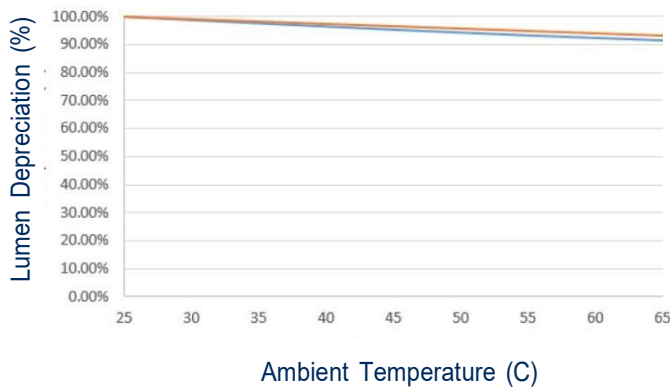


Medium

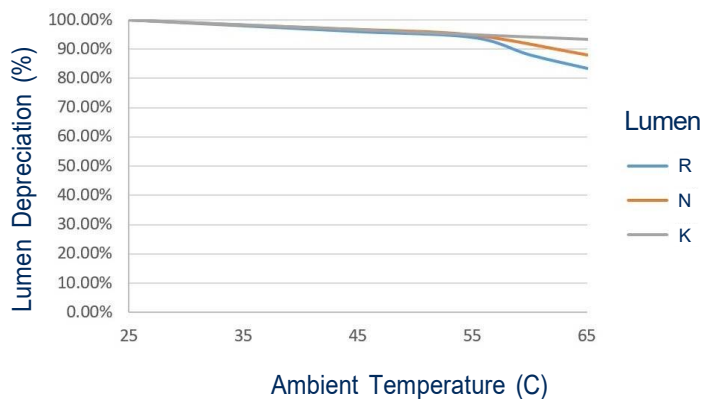


Thermal Roll-Off

Thermal Rolloff (277V)



Thermal Rolloff (480V)



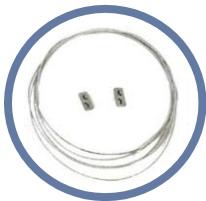
WARNING - INSTALLATION & SECONDARY RETENTION. Use of any Dialight products without proper installation (including secondary retention / netting) and periodic inspections could cause severe injury or death. Dialight recommends that all installations should use secondary retention / netting (appropriate to the installation environment) where applicable. It is the exclusive responsibility of the contractor, installer and/or end-user to: (a) determine the suitability of the product for its intended application; and, (b) ensure that the product is safely installed (with secondary retention / netting where appropriate) and in compliance with all applicable laws and regulations. To the extent permissible under applicable laws, Dialight disclaims all liability for personal injury and/or other damage resulting from any dislodgment or other dislocation of its products.

In Rush Current / Circuit Breakers

| In rush current @ input voltage | | | | Time duration of in rush current @ input voltage | | | |
|---------------------------------|---------|---------|---------|--|---------|---------|---------|
| 120 VAC | 277 VAC | 347 VAC | 480 VAC | 120 VAC | 277 VAC | 347 VAC | 480 VAC |
| 15A | 36A | 8A | 11A | 1.5 ms | 1.5 ms | .88 ms | .88 ms |

| Maximum number of lights per breaker | | | | | | |
|--------------------------------------|---------|-----|-----|---------|-----|-----|
| | 120 VAC | | | 277 VAC | | |
| Model | C10 | B16 | C16 | C10 | B16 | C16 |
| K | 3 | 4 | 4 | 5 | 8 | 8 |
| N | 2 | 3 | 3 | 4 | 6 | 6 |
| R | 2 | 2 | 2 | 3 | 5 | 5 |
| | 347 VAC | | | 480 VAC | | |
| Model | C10 | B16 | C16 | C10 | B16 | C16 |
| K | 7 | 12 | 12 | 9 | 15 | 15 |
| N | 5 | 8 | 8 | 7 | 11 | 11 |
| R | 5 | 7 | 7 | 6 | 9 | 9 |

Mounting Accessories

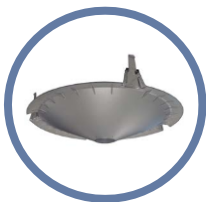


H6XCAB72

- 72" stainless steel safety rope

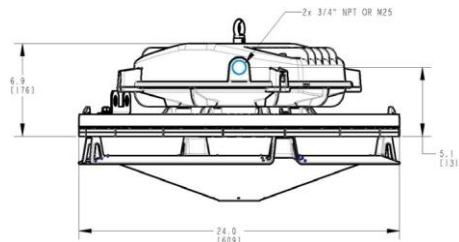
H6XCAB60

- 60" stainless steel safety rope



H6XDIFFUSER

- Diffuser
- Patent pending



Dimensions in inches [mm]

WARNING - INSTALLATION & SECONDARY RETENTION. Use of any Dialight products without proper installation (including secondary retention / netting) and periodic inspections could cause severe injury or death. Dialight recommends that all installations should use secondary retention / netting (appropriate to the installation environment) where applicable. It is the exclusive responsibility of the contractor, installer and/or end-user to: (a) determine the suitability of the product for its intended application; and, (b) ensure that the product is safely installed (with secondary retention / netting where appropriate) and in compliance with all applicable laws and regulations. To the extent permissible under applicable laws, Dialight disclaims all liability for personal injury and/or other damage resulting from any dislodgment or other dislocation of its products.

Australia

108 Howe Street
Osborne Park, WA 6017
Tel: +61 (0) 8 9244 7600
Fax: +61 (0) 8 9244 7601
info@dialight.com.au

Southeast Asia

33 Ubi Avenue 3
#07-72 Vertex (Tower A)
Singapore 408868
Tel: +65 6578 7157
Fax: +65 6578 7150
enquiry@dialight.com.sg

WARNING / DISCLAIMERS:

Installation & secondary retention. The use of this product without proper installation (including secondary retention / netting) and periodic inspections, could cause severe injury or death. Dialight recommends that all installations should use secondary retention / netting (appropriate to the installation environment) as applicable. Dialight products are intended for ultimate purchase, installation and operation by knowledgeable persons trained in the functional assessment, installation, use and maintenance of such products and all customers (including but not limited to end customers) are responsible for assessing the suitability of Dialight products for any given installation requirement. It is the exclusive responsibility of the contractor, installer and/or end-user to: (a) determine the suitability of the product for its intended application; and, (b) ensure that the product is safely installed (with secondary retention / netting as appropriate) and in compliance with all applicable laws and regulations.

Product specifications & warranties. All product information provided is, to the best of Dialight's knowledge, accurate as of the date of publication. All values and performance data herein are design or typical values when measured under laboratory conditions. The information herein is subject to change without notice. The products / software detailed herein are subject to applicable warranties and terms and conditions of use/purchase. Unless agreed otherwise in writing by an authorized representative of Dialight, Dialight does not represent that its products are fit for any particular purpose and accepts no liability for the installation and/or unauthorised use of its products. When ordering, refer to www.dialight.com for current versions of: (a) relevant product documentation (including relevant product data sheets); (b) Dialight terms and conditions of sale; and, (c) the relevant product warranties. To the extent that any contract is deemed formed between Dialight and the purchaser of Dialight products and/or an end-user, versions of documents available at www.dialight.com as at the date of sale shall be the versions incorporated therein. In the event of any discrepancy between this document and information provided at www.dialight.com, the latter shall prevail.

Exclusion of liability. To the extent permissible under the relevant law, Dialight disclaims all liability for personal injury and/or other damage resulting from any dislodgment or other dislocation of its products. Whilst Dialight has used its reasonable endeavours to ensure the completeness and accuracy of information herein, Dialight does not assume any liability for damages resulting from use of this information or for any third-party representations made in relation to Dialight products.



ProSite LED Streetlight - Battery Backup Models

Technical Specification Sheet - Australia

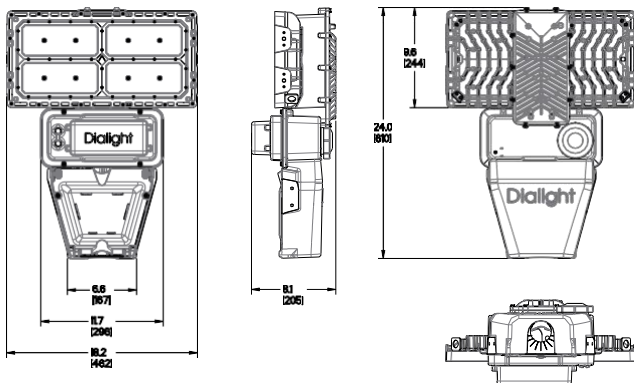
ProSite LED Streetlight - Battery Backup

S1 Models - Non-Hazardous



Certifications & Ratings

- 10 year warranty
- RCM
- IP66/67
- IK10 - Integrated PC optic only
- IK10 - Polycarbonate lens
- IK08 - Glass lens
- L70 > 150,000 hours @ 25°C ambient



Dimensions in inches [mm]

Mechanical Information:

| | |
|------------------|--|
| Fixture weight: | 13.3 - 17.8 kg |
| Shipping weight: | 16.6 - 21.1 kg |
| EPA (sq. m): | 0.113 |
| Mounting: | Cast aluminium mast arm bracket. Suits 42.2mm-60.3mm OD pipe. (-5°, 0°, +5° tilt settings) Slip fitter bracket (7.5° of tilt adjustment - vertical pole mount only) |
| Cable entry: | 1 x M25 |

Electrical Specifications:

| | |
|-----------------------|---|
| Operating voltage: | 230-240VAC, 50/60Hz |
| Operating temp: | -20°C to +55°C |
| EMC: | CISPR 15 Flicker: IEC 61000-3-3 Immunity requirements for lighting: IEC 61547 Harmonics: IEC 61000-3-2 Class C |
| Transient protection: | IEC 61000-4-5. 6kV line-line and line-ground. |
| Optional: | Additional surge protection module rated for 10kA, 20kA single strike |
| THD: | < 20% |
| Power Factor: | > 0.9 |
| Dimming: | DALI 1 and 2 compatible/0-10 VDC |
| Battery Duration: | 90 minutes default (optional 60 or 180 minutes field selectable) |

Construction:

| | |
|-----------|--|
| Housing: | A360 Die-cast aluminum |
| Hardware: | 316 stainless steel |
| Finish: | Superior epoxy and polyester dual coat finish |
| Lens: | Integrated PC Optic/Lens, Glass Lens Cover, PC Lens Cover |

Photometric Information:

| | |
|---------------|---|
| CRI: | 70 (80 optional) |
| CCT: | 5000K (cool white) 4000K (neutral white) 2200K (warm white) 2700K (warm white) - 80 CRI Amber |
| Beam Pattern: | Type II Medium Type III Short Type III Medium Type V |

IES files: Available at www.dialight.com

All values typical unless otherwise stated (tolerance +/- 10%)

WARNING - INSTALLATION & SECONDARY RETENTION. Use of any Dialight products without proper installation (including secondary retention / netting) and periodic inspections could cause severe injury or death. Dialight recommends that all installations should use secondary retention / netting (appropriate to the installation environment) where applicable. It is the exclusive responsibility of the contractor, installer and/or end-user to: (a) determine the suitability of the product for its intended application; and, (b) ensure that the product is safely installed (with secondary retention / netting where appropriate) and in compliance with all applicable laws and regulations. To the extent permissible under applicable laws, Dialight disclaims all liability for personal injury and/or other damage resulting from any dislodgment or other dislocation of its products.

Ordering Information - S1 Models

ProSite LED Streetlight Battery Backup - Non-Hazardous



| Industrial - RCM | | | | | | | | |
|------------------------------|----------------|---------|------|-------------------------------|------------|-------------------|---------------|-----------------|
| Part Number | Fixture Lumens | Wattage | lm/W | Fixture Lumens (Battery Mode) | Voltage | CCT/CRI | Lens | Optics |
| ProSite Streetlight 12,000lm | | | | | | | | |
| S1E-NQBG-BSTN-VGF | 12,300 | 87 | 141 | 1635 | 230-240VAC | CW 5000K - 70 CRI | PC Optic Only | Type III Medium |
| S1E-NPBG-BSTN-VGF | 11,900 | 87 | 137 | 1590 | 230-240VAC | CW 5000K - 70 CRI | PC Optic Only | Type II Medium |
| S1E-NQLG-BSTN-VGF | 12,300 | 87 | 141 | 1635 | 230-240VAC | NW 4000K - 70 CRI | PC Optic Only | Type III Medium |
| S1E-NPLG-BSTN-VGF | 11,900 | 87 | 137 | 1590 | 230-240VAC | NW 4000K - 70 CRI | PC Optic Only | Type II Medium |
| S1E-NQWG-BSTN-VGF | 9,900 | 87 | 114 | 1340 | 230-240VAC | WW 2700K - 80 CRI | PC Optic Only | Type III Medium |
| S1E-NPWG-BSTN-VGF | 9,600 | 87 | 110 | 1300 | 230-240VAC | WW 2700K - 80 CRI | PC Optic Only | Type II Medium |
| ProSite Streetlight 18,000lm | | | | | | | | |
| S1E-NQBG-CSTN-VGF | 17,700 | 130 | 136 | 1635 | 230-240VAC | CW 5000K - 70 CRI | PC Optic Only | Type III Medium |
| S1E-NPBG-CSTN-VGF | 17,300 | 130 | 133 | 1590 | 230-240VAC | CW 5000K - 70 CRI | PC Optic Only | Type II Medium |
| S1E-NQLG-CSTN-VGF | 17,700 | 130 | 136 | 1635 | 230-240VAC | NW 4000K - 70 CRI | PC Optic Only | Type III Medium |
| S1E-NPLG-CSTN-VGF | 17,300 | 130 | 133 | 1590 | 230-240VAC | NW 4000K - 70 CRI | PC Optic Only | Type II Medium |
| S1E-NQWG-CSTN-VGF | 14,300 | 130 | 110 | 1340 | 230-240VAC | WW 2700K - 80 CRI | PC Optic Only | Type III Medium |
| S1E-NPWG-CSTN-VGF | 13,800 | 130 | 106 | 1300 | 230-240VAC | WW 2700K - 80 CRI | PC Optic Only | Type II Medium |
| ProSite Streetlight 24,000lm | | | | | | | | |
| S1E-NQBG-ESTN-VGF | 23,200 | 181 | 128 | 1635 | 230-240VAC | CW 5000K - 70 CRI | PC Optic Only | Type III Medium |
| S1E-NPBG-ESTN-VGF | 22,600 | 181 | 125 | 1590 | 230-240VAC | CW 5000K - 70 CRI | PC Optic Only | Type II Medium |
| S1E-NQLG-ESTN-VGF | 23,200 | 181 | 128 | 1635 | 230-240VAC | NW 4000K - 70 CRI | PC Optic Only | Type III Medium |
| S1E-NPLG-ESTN-VGF | 22,600 | 181 | 125 | 1590 | 230-240VAC | NW 4000K - 70 CRI | PC Optic Only | Type II Medium |
| S1E-NQWG-ESTN-VGF | 18,700 | 181 | 103 | 1340 | 230-240VAC | WW 2700K - 80 CRI | PC Optic Only | Type III Medium |
| S1E-NPWG-ESTN-VGF | 18,100 | 181 | 100 | 1300 | 230-240VAC | WW 2700K - 80 CRI | PC Optic Only | Type II Medium |
| ProSite Streetlight 24,000lm | | | | | | | | |
| S1E-NQBG-FSTN-VGF | 29,400 | 240 | 123 | 1635 | 230-240VAC | CW 5000K - 70 CRI | PC Optic Only | Type III Medium |
| S1E-NPBG-FSTN-VGF | 28,600 | 240 | 119 | 1590 | 230-240VAC | CW 5000K - 70 CRI | PC Optic Only | Type II Medium |
| S1E-NQLG-FSTN-VGF | 29,400 | 240 | 123 | 1635 | 230-240VAC | NW 4000K - 70 CRI | PC Optic Only | Type III Medium |
| S1E-NPLG-FSTN-VGF | 28,600 | 240 | 119 | 1590 | 230-240VAC | NW 4000K - 70 CRI | PC Optic Only | Type II Medium |
| S1E-NQWG-FSTN-VGF | 23,700 | 240 | 99 | 1340 | 230-240VAC | WW 2700K - 80 CRI | PC Optic Only | Type III Medium |
| S1E-NPWG-FSTN-VGF | 22,900 | 240 | 95 | 1300 | 230-240VAC | WW 2700K - 80 CRI | PC Optic Only | Type II Medium |

All values typical unless otherwise stated (tolerance +/- 10%).
 Lens - To add additional lens cover, swap 4th character 'N' to '7' for glass or '4' for polycarbonate. Not suitable with Type III Short optic
 Optic - For Type V optic change 5th character to a '6', For Type III Short optic change 5th character to a 'J'
 CCT - 2200K and amber options available, refer to Dialight representative for information.
 Voltage - For 120 VAC change the 7th character to '1'.
 Mounting Bracket - Mast arm bracket supplied as standard. For adjustable slip fitter option, change 10th character to 'S'.

Lumen Tables

| Lumen Output Family | Wattage (120-277 VAC) | Optic Character | Optic | PC Optic Only | | | | Glass Lens | | | | Polycarbonate Lens | | | |
|---------------------|-----------------------|-----------------|-----------------|---------------|--------|--------|--------|------------|--------|--------|--------|--------------------|--------|--------|--------|
| | | | | 5000K | 4000K | 2700K | 2200K | 5000K | 4000K | 2700K | 2200K | 5000K | 4000K | 2700K | 2200K |
| 12K | 87 | P | Type II Medium | 12,012 | 12,012 | 9,826 | 10,126 | 10,270 | 10,270 | 8,401 | 8,658 | 9,165 | 9,165 | 7,497 | 7,726 |
| | | J | Type III Short | 11,418 | 11,418 | 9,340 | 9,625 | - | - | - | - | - | - | - | - |
| | | Q | Type III Medium | 12,342 | 12,342 | 10,096 | 10,404 | 10,552 | 10,552 | 8,632 | 8,896 | 9,417 | 9,417 | 7,703 | 7,938 |
| | | 6 | Type V | 13,200 | 13,200 | 10,200 | 10,400 | 12,500 | 12,500 | 9,500 | 9,700 | 11,700 | 11,700 | 8,800 | 9,000 |
| 18K | 130 | P | Type II Medium | 17,381 | 17,381 | 14,218 | 14,652 | 14,861 | 14,861 | 12,156 | 12,528 | 13,262 | 13,262 | 10,848 | 11,180 |
| | | J | Type III Short | 16,522 | 16,522 | 13,515 | 13,928 | - | - | - | - | - | - | - | - |
| | | Q | Type III Medium | 17,859 | 17,859 | 14,608 | 15,055 | 15,269 | 15,269 | 12,490 | 12,872 | 13,626 | 13,626 | 11,146 | 11,487 |
| | | 6 | Type V | 19,100 | 19,100 | 14,800 | 15,100 | 18,000 | 18,000 | 13,800 | 14,000 | 17,000 | 17,000 | 12,700 | 13,000 |
| 24K | 181 | P | Type II Medium | 22,751 | 22,750 | 18,610 | 19,178 | 19,451 | 19,451 | 15,911 | 16,397 | 17,358 | 17,358 | 14,199 | 14,633 |
| | | J | Type III Short | 21,625 | 21,625 | 17,689 | 18,230 | - | - | - | - | - | - | - | - |
| | | Q | Type III Medium | 23,375 | 23,375 | 19,121 | 19,705 | 19,986 | 19,986 | 16,348 | 16,848 | 17,835 | 17,835 | 14,589 | 15,035 |
| | | 6 | Type V | 25,000 | 25,000 | 19,400 | 19,800 | 23,600 | 23,600 | 18,000 | 18,400 | 22,300 | 22,300 | 16,600 | 17,000 |
| 30K | 240 | P | Type II Medium | 28,756 | 28,756 | 23,522 | 24,241 | 24,586 | 24,586 | 20,112 | 20,726 | 21,941 | 21,941 | 17,948 | 18,496 |
| | | J | Type III Short | 27,334 | 27,334 | 22,359 | 23,043 | - | - | - | - | - | - | - | - |
| | | Q | Type III Medium | 29,546 | 29,546 | 24,169 | 24,907 | 25,262 | 25,262 | 20,664 | 21,296 | 22,544 | 22,544 | 18,441 | 19,004 |
| | | 6 | Type V | 31,600 | 31,600 | 24,500 | 25,000 | 29,900 | 29,900 | 22,800 | 23,200 | 28,100 | 28,100 | 21,000 | 21,500 |

| Lumen Output Family | Wattage (120-277VAC) | Optic Character | Optic | PC Optic Only | Glass Lens | Polycarbonate Lens |
|---------------------|----------------------|-----------------|-----------------|---------------|------------|--------------------|
| | | | | Amber | | |
| 12K | 232 | P | Type II Medium | 11,800 | 11,200 | 10,500 |
| | | J | Type III Short | 11,250 | - | - |
| | | Q | Type III Medium | 12,200 | 11,600 | 10,900 |
| | | 6 | Type V | 13,000 | 12,300 | 11,600 |

DISCLAIMER. All product information provided is, to the best of Dialight's knowledge, accurate as of the date of publication. When ordering, refer to www.dialight.com for current versions of: (a) relevant product documentation (including the relevant product data sheets); (b) Dialight terms and conditions of sale; and, (c) the relevant product warranty. To the extent that any contract is deemed formed between Dialight and the purchaser of Dialight products and/or an end-user, versions of documents available at www.dialight.com as at the date of sale shall be the versions incorporated therein. In the event of any discrepancy between this document or information provided at www.dialight.com, the latter shall prevail.

Inrush Current

| S1 Models | |
|-------------------------|------|
| 240 VAC | |
| Peak inrush current (A) | 15.4 |
| Duration, T50 (ms) | 1.5 |

Maximum per Circuit Breaker

| 230VAC | | | |
|--------------|--------|--------|--------|
| Lumen Output | 10 Amp | 16 Amp | 20 Amp |
| 12,000 | 16 | 26 | 32 |
| 18,000 | 11 | 17 | 21 |
| 24,000 | 8 | 12 | 15 |
| 30,000 | 6 | 9 | 11 |
| Amber | 6 | 9 | 12 |

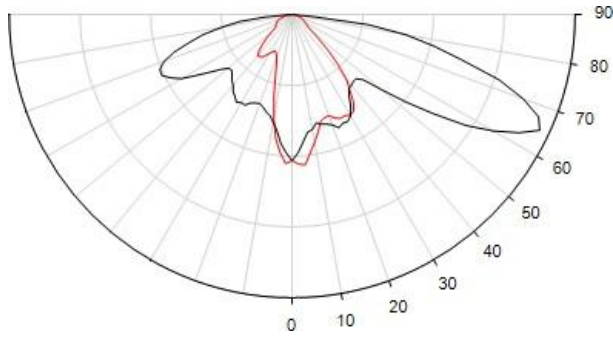
| 240VAC | | |
|--------|--------|--------|
| 10 Amp | 16 Amp | 20 Amp |
| 17 | 27 | 33 |
| 11 | 18 | 22 |
| 8 | 13 | 16 |
| 6 | 9 | 12 |
| 6 | 10 | 12 |

Dialight recommends using B or C type breakers.

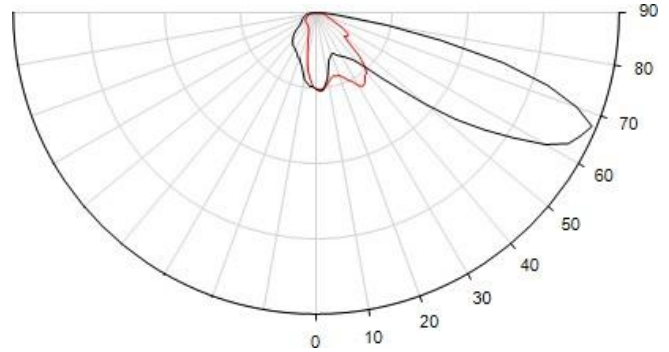
These tables are based on steady-state input current and nominal breaker current ratings @ 80% derating.

Beam Distribution

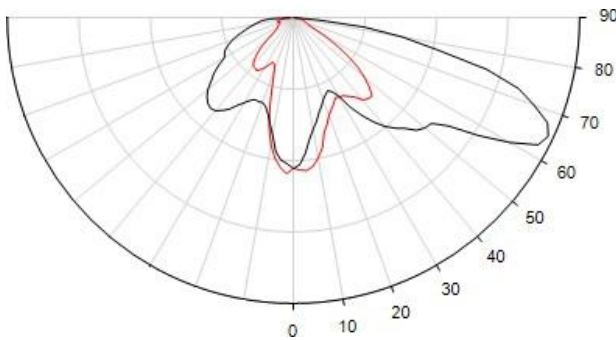
Type II Medium



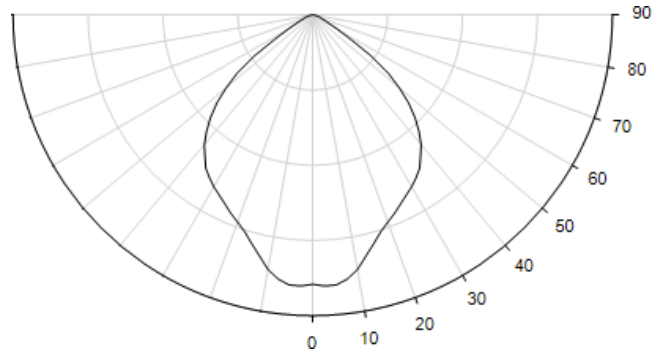
Type III Short



Type III Medium



Type V

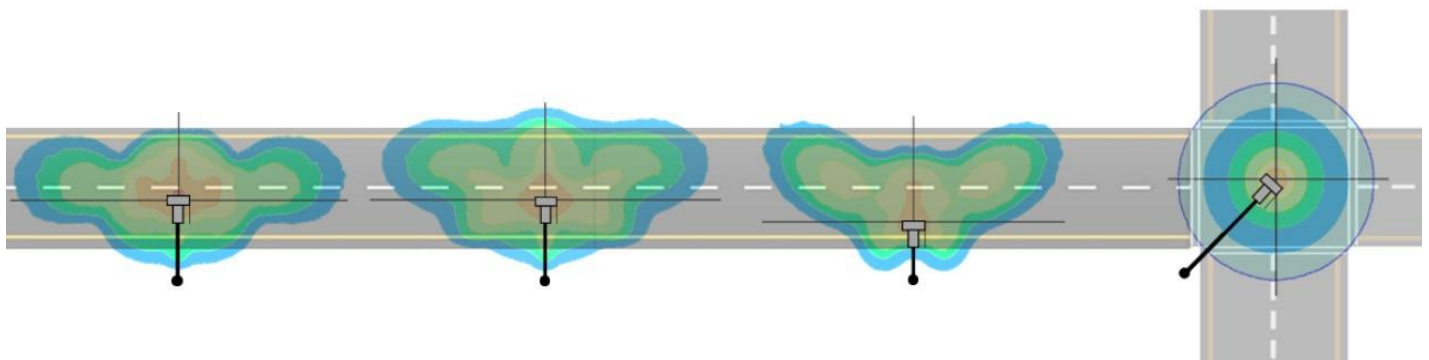


Type II (P)

Type III (Q)

Type III Short (J)

Type V (6)



DISCLAIMER. All product information provided is, to the best of Dialight's knowledge, accurate as of the date of publication. When ordering, refer to www.dialight.com for current versions of: (a) relevant product documentation (including the relevant product data sheets); (b) Dialight terms and conditions of sale; and, (c) the relevant product warranty. To the extent that any contract is deemed formed between Dialight and the purchaser of Dialight products and/or an end-user, versions of documents available at www.dialight.com as at the date of sale shall be the versions incorporated therein. In the event of any discrepancy between this document or information provided at www.dialight.com, the latter shall prevail.

Lumen Maintenance Factor - S1

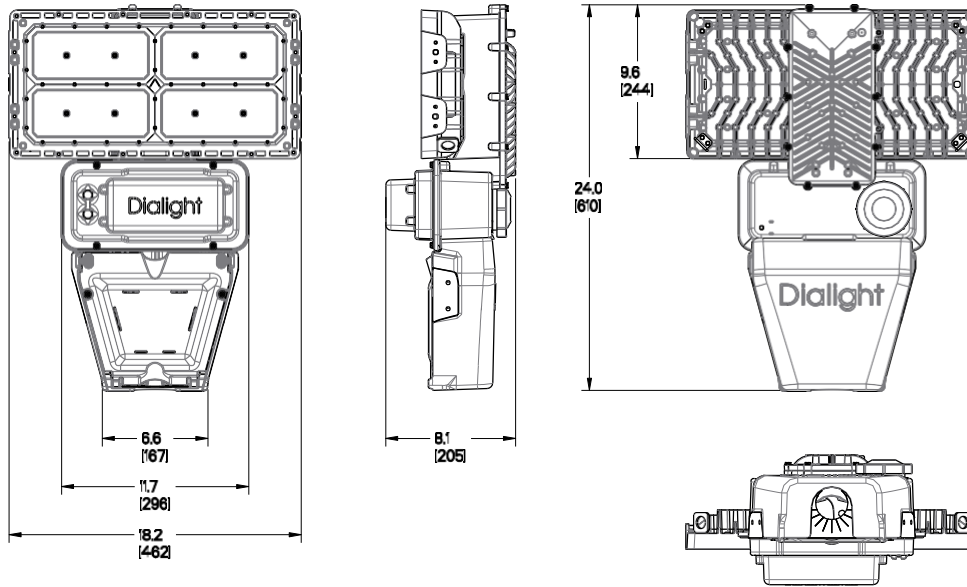
| S1 Streetlight 12k lm (Hours) | | | | | | | | | |
|-------------------------------|------|-------|-------|-------|-------|-------|-------|--------|--------|
| Ambient | 0 | 15000 | 30000 | 45000 | 60000 | 75000 | 90000 | 100000 | 150000 |
| 25°C | 100% | 98% | 97% | 96% | 96% | 95% | 94% | 93% | 91% |
| 30°C | 99% | 97% | 96% | 95% | 95% | 94% | 93% | 92% | 90% |
| 35°C | 98% | 96% | 96% | 95% | 95% | 94% | 93% | 92% | 90% |
| 40°C | 98% | 96% | 95% | 94% | 94% | 93% | 92% | 91% | 89% |
| 45°C | 97% | 95% | 94% | 93% | 93% | 92% | 91% | 90% | 88% |
| 50°C | 96% | 94% | 94% | 93% | 93% | 92% | 91% | 90% | 88% |
| 55°C | 96% | 94% | 93% | 92% | 91% | 90% | 90% | 89% | 87% |

| S1 Streetlight 18k lm (Hours) | | | | | | | | | |
|-------------------------------|------|-------|-------|-------|-------|-------|-------|--------|--------|
| Ambient | 0 | 15000 | 30000 | 45000 | 60000 | 75000 | 90000 | 100000 | 150000 |
| 25°C | 100% | 98% | 97% | 96% | 96% | 95% | 94% | 93% | 91% |
| 30°C | 99% | 97% | 96% | 95% | 95% | 94% | 93% | 92% | 90% |
| 35°C | 98% | 96% | 96% | 95% | 95% | 94% | 93% | 92% | 90% |
| 40°C | 98% | 96% | 95% | 94% | 94% | 93% | 92% | 91% | 89% |
| 45°C | 97% | 95% | 94% | 93% | 93% | 92% | 91% | 90% | 88% |
| 50°C | 96% | 94% | 94% | 93% | 93% | 92% | 91% | 90% | 88% |
| 55°C | 96% | 94% | 93% | 92% | 91% | 90% | 90% | 89% | 87% |

| S1 Streetlight 30k lm (Hours) | | | | | | | | | |
|-------------------------------|------|-------|-------|-------|-------|-------|-------|--------|--------|
| Ambient | 0 | 15000 | 30000 | 45000 | 60000 | 75000 | 90000 | 100000 | 150000 |
| 25°C | 100% | 98% | 95% | 93% | 91% | 89% | 87% | 85% | 79% |
| 30°C | 99% | 97% | 94% | 92% | 90% | 88% | 86% | 84% | 78% |
| 35°C | 98% | 96% | 93% | 91% | 89% | 87% | 85% | 83% | 77% |
| 40°C | 97% | 94% | 92% | 90% | 88% | 85% | 83% | 82% | 76% |
| 45°C | 96% | 93% | 91% | 88% | 86% | 84% | 82% | 81% | 74% |
| 50°C | 94% | 92% | 90% | 87% | 85% | 83% | 81% | 79% | 72% |
| 55°C | 93% | 91% | 88% | 86% | 84% | 81% | 79% | 78% | 71% |

DISCLAIMER. All product information provided is, to the best of Dialight's knowledge, accurate as of the date of publication. When ordering, refer to www.dialight.com for current versions of: (a) relevant product documentation (including the relevant product data sheets); (b) Dialight terms and conditions of sale; and, (c) the relevant product warranty. To the extent that any contract is deemed formed between Dialight and the purchaser of Dialight products and/or an end-user, versions of documents available at www.dialight.com as at the date of sale shall be the versions incorporated therein. In the event of any discrepancy between this document or information provided at www.dialight.com, the latter shall prevail.

Dimensional Drawings



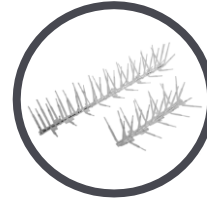
Accessories



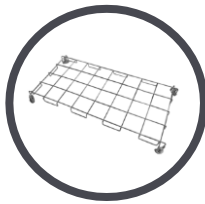
SLPC01R
 • Photocell, 105-305 VAC



H6XCAB72²
 • 72" stainless steel safety rope
 • Kit includes: (1) cable
H6XCAB60²
 • 60" stainless steel safety rope
 • Kit includes: (1) cable



F1SPIKES
 • Bird spikes



FLWG
 • Wire guard
 • Kit includes (1) assembly

²S1 models require 1 cable per unit.

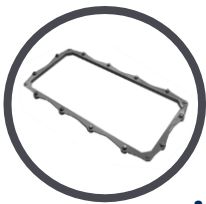
Replacements*



- FL10KV277
- 10kA surge protection 100-277V
- FL10KV480
- 10kA surge protection 347-480V



- FLBATTKIT
- Replacement battery kit



- FLGLASSLG
- Glass lens, grey
- FLPCLG
- Polycarb lens, grey
- Kit includes (1) assembly

| Replacement Power Supplies | |
|----------------------------|-------------------------------|
| Part Number | Description |
| F1PS2B | 120-277V Power Supply, 12k lm |
| F1PS2C | 120-277V Power Supply, 18k lm |
| F1PS2E | 120-277V Power Supply, 24k lm |
| F1PS2F | 120-277V Power Supply, 30k lm |

*Replacements parts for CE models only.

DISCLAIMER. All product information provided is, to the best of Dialight's knowledge, accurate as of the date of publication. When ordering, refer to www.dialight.com for current versions of: (a) relevant product documentation (including the relevant product data sheets); (b) Dialight terms and conditions of sale; and, (c) the relevant product warranty. To the extent that any contract is deemed formed between Dialight and the purchaser of Dialight products and/or an end-user, versions of documents available at www.dialight.com as at the date of sale shall be the versions incorporated therein. In the event of any discrepancy between this document or information provided at www.dialight.com, the latter shall prevail.

Australia

108 Howe Street
Osborne Park, WA 6017
Tel: +61 (0) 8 9244 7600
Fax: +61 (0) 8 9244 7601
info@dialight.com.au

Southeast Asia

56 Kallang Pudding Road
#09 – 08 HH@Kallang
Singapore 349328
Tel: +65 6578 7271
Fax: +65 6578 7150
enquiry@dialight.com.sg

WARNING / DISCLAIMERS:

Installation & secondary retention. The use of this product without proper installation (including secondary retention / netting) and periodic inspections, could cause severe injury or death. Dialight recommends that all installations should use secondary retention / netting (appropriate to the installation environment) as applicable. Dialight products are intended for ultimate purchase, installation and operation by knowledgeable persons trained in the functional assessment, installation, use and maintenance of such products and all customers (including but not limited to end customers) are responsible for assessing the suitability of Dialight products for any given installation requirement. It is the exclusive responsibility of the contractor, installer and/or end-user to: (a) determine the suitability of the product for its intended application; and, (b) ensure that the product is safely installed (with secondary retention / netting as appropriate) and in compliance with all applicable laws and regulations.

Product specifications & warranties. All product information provided is, to the best of Dialight's knowledge, accurate as of the date of publication. All values and performance data herein are design or typical values when measured under laboratory conditions. The information herein is subject to change without notice. The products / software detailed herein are subject to applicable warranties and terms and conditions of use/purchase. Unless agreed otherwise in writing by an authorized representative of Dialight, Dialight does not represent that its products are fit for any particular purpose and accepts no liability for the installation and/or unauthorised use of its products. When ordering, refer to www.dialight.com for current versions of: (a) relevant product documentation (including relevant product data sheets); (b) Dialight terms and conditions of sale; and, (c) the relevant product warranties. To the extent that any contract is deemed formed between Dialight and the purchaser of Dialight products and/or an end-user, versions of documents available at www.dialight.com as at the date of sale shall be the versions incorporated therein. In the event of any discrepancy between this document and information provided at www.dialight.com, the latter shall prevail.

Exclusion of liability. To the extent permissible under the relevant law, Dialight disclaims all liability for personal injury and/or other damage resulting from any dislodgment or other dislocation of its products. Whilst Dialight has used its reasonable endeavours to ensure the completeness and accuracy of information herein, Dialight does not assume any liability for damages resulting from use of this information or for any third-party representations made in relation to Dialight products.



ProSite LED Streetlight

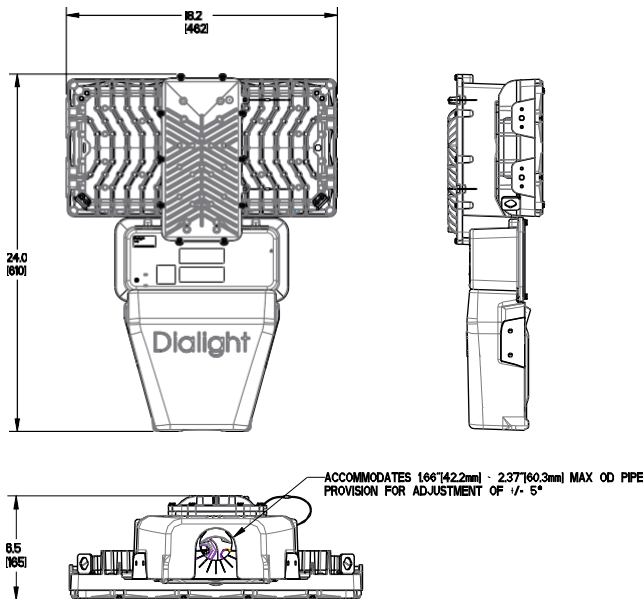
Technical Specification Sheet - APAC

ProSite LED Streetlight - Non-Hazardous S1 Models



Certifications & Ratings

- 10 year warranty
- CE / ENEC / RCM
- IP66/67
- IK10 - Integrated PC optic only
- IK10 - Polycarbonate lens
- IK08 - Glass lens
- L70 > 150,000 hours @ 25°C ambient



Dimensions in inches [mm]
Additional dimensional drawings on page 10

Mechanical Information:

| | |
|------------------|--|
| Fixture weight: | 11.0 - 15.5 kg |
| Shipping weight: | 14.3 - 18.8 kg |
| EPA (sq. m): | 0.103 |
| Mounting: | Cast aluminum mast arm bracket - suits 42.2-60.3mm OD pipe (-5°, 0°, +5° tilt settings) Slipfitter bracket (7.5° tilt adjustment, for vertical pole mount only) |
| Cable entry: | 1 x M25 |

Electrical Specifications:

| | |
|-----------------------|---|
| Operating voltage: | 120-277VAC / 120-250VDC 347-415-480 VAC |
| Operating temp: | -40°C to +65°C |
| EMC: | CISPR 15 Flicker: IEC 61000-3-3 Immunity requirements for lighting: IEC 61547 Harmonics: IEC 61000-3-2 Class C |
| Transient protection: | 6kV/3kA |
| Optional: | Additional surge protection module rated for 10kA, 20kA single strike |
| THD: | < 20% |
| Power Factor: | > 0.9 |
| Dimming: | DALI 1 and DALI 2 compatible / 0-10V DC |
| Auto switching: | NEMA 3-pin receptacle with shorting cap (photocell sold separately) |

Construction:

| | |
|-----------|--|
| Housing: | A360 Die-cast aluminum |
| Hardware: | 316 stainless steel |
| Finish: | Superior epoxy and polyester dual coat finish |
| Lens: | Integrated PC Optic/Lens, Glass Lens Cover, PC Lens Cover |

Photometric Information:

| | |
|---------------|--|
| CRI: | 70 (80 optional) |
| CCT: | 5000K (cool white) 4000K (neutral white) 2200K (warm white) 2700K (warm white) - 80 CRI only Amber |
| Beam pattern: | Type II Medium Type III Short Type III Medium Type V |

All values typical unless otherwise stated (tolerance +/- 10%)

WARNING - INSTALLATION & SECONDARY RETENTION. Use of any Dialight products without proper installation (including secondary retention / netting) and periodic inspections could cause severe injury or death. Dialight recommends that all installations should use secondary retention / netting (appropriate to the installation environment) where applicable. It is the exclusive responsibility of the contractor, installer and/or end-user to: (a) determine the suitability of the product for its intended application; and, (b) ensure that the product is safely installed (with secondary retention / netting where appropriate) and in compliance with all applicable laws and regulations. To the extent permissible under applicable laws, Dialight disclaims all liability for personal injury and/or other damage resulting from any dislodgment or other dislocation of its products.

Ordering Information

ProSite LED Streetlight - Non-Hazardous



| Industrial - 120-277 VAC | | | | | | | | |
|------------------------------|----------------|---------|----------|------------|-------------------|---------------|-----------------|---------------------|
| Part Number | Fixture Lumens | Wattage | Efficacy | Voltage | CCT/CRI | Lens | Optic | Receptacle with Cap |
| ProSite Streetlight 12,000lm | | | | | | | | |
| S1E-NQB2-BSTN-VGN | 12,300 | 81 | 152 | 120-277VAC | CW 5000K - 70 CRI | PC Optic Only | Type III Medium | Yes |
| S1E-NPB2-BSTN-VGN | 12,000 | 81 | 148 | 120-277VAC | CW 5000K - 70 CRI | PC Optic Only | Type II Medium | Yes |
| S1E-NQL2-BSTN-VGN | 12,300 | 81 | 152 | 120-277VAC | NW 4000K - 70 CRI | PC Optic Only | Type III Medium | Yes |
| S1E-NPL2-BSTN-VGN | 12,000 | 81 | 148 | 120-277VAC | NW 4000K - 70 CRI | PC Optic Only | Type II Medium | Yes |
| S1E-NQW2-BSTN-VGN | 10,000 | 81 | 123 | 120-277VAC | WW 2700K - 80 CRI | PC Optic Only | Type III Medium | Yes |
| S1E-NPW2-BSTN-VGN | 9,800 | 81 | 121 | 120-277VAC | WW 2700K - 80 CRI | PC Optic Only | Type II Medium | Yes |
| ProSite Streetlight 18,000lm | | | | | | | | |
| S1E-NQB2-CSTN-VGN | 17,800 | 124 | 144 | 120-277VAC | CW 5000K - 70 CRI | PC Optic Only | Type III Medium | Yes |
| S1E-NPB2-CSTN-VGN | 17,400 | 124 | 140 | 120-277VAC | CW 5000K - 70 CRI | PC Optic Only | Type II Medium | Yes |
| S1E-NQL2-CSTN-VGN | 17,800 | 124 | 144 | 120-277VAC | NW 4000K - 70 CRI | PC Optic Only | Type III Medium | Yes |
| S1E-NPL2-CSTN-VGN | 17,400 | 124 | 140 | 120-277VAC | NW 4000K - 70 CRI | PC Optic Only | Type II Medium | Yes |
| S1E-NQW2-CSTN-VGN | 14,600 | 124 | 118 | 120-277VAC | WW 2700K - 80 CRI | PC Optic Only | Type III Medium | Yes |
| S1E-NPW2-CSTN-VGN | 14,200 | 124 | 115 | 120-277VAC | WW 2700K - 80 CRI | PC Optic Only | Type II Medium | Yes |
| ProSite Streetlight 24,000lm | | | | | | | | |
| S1E-NQB2-ESTN-VGN | 23,400 | 175 | 134 | 120-277VAC | CW 5000K - 70 CRI | PC Optic Only | Type III Medium | Yes |
| S1E-NPB2-ESTN-VGN | 22,700 | 175 | 130 | 120-277VAC | CW 5000K - 70 CRI | PC Optic Only | Type II Medium | Yes |
| S1E-NQL2-ESTN-VGN | 23,400 | 175 | 134 | 120-277VAC | NW 4000K - 70 CRI | PC Optic Only | Type III Medium | Yes |
| S1E-NPL2-ESTN-VGN | 22,700 | 175 | 130 | 120-277VAC | NW 4000K - 70 CRI | PC Optic Only | Type II Medium | Yes |
| S1E-NQW2-ESTN-VGN | 19,100 | 175 | 109 | 120-277VAC | WW 2700K - 80 CRI | PC Optic Only | Type III Medium | Yes |
| S1E-NPW2-ESTN-VGN | 18,600 | 175 | 106 | 120-277VAC | WW 2700K - 80 CRI | PC Optic Only | Type II Medium | Yes |
| ProSite Streetlight 30,000lm | | | | | | | | |
| S1E-NQB2-FSTN-VGN | 29,500 | 234 | 126 | 120-277VAC | CW 5000K - 70 CRI | PC Optic Only | Type III Medium | Yes |
| S1E-NPB2-FSTN-VGN | 28,800 | 234 | 123 | 120-277VAC | CW 5000K - 70 CRI | PC Optic Only | Type II Medium | Yes |
| S1E-NQL2-FSTN-VGN | 29,500 | 234 | 126 | 120-277VAC | NW 4000K - 70 CRI | PC Optic Only | Type III Medium | Yes |
| S1E-NPL2-FSTN-VGN | 28,800 | 234 | 123 | 120-277VAC | NW 4000K - 70 CRI | PC Optic Only | Type II Medium | Yes |
| S1E-NQW2-FSTN-VGN | 24,200 | 234 | 103 | 120-277VAC | WW 2700K - 80 CRI | PC Optic Only | Type III Medium | Yes |
| S1E-NPW2-FSTN-VGN | 23,500 | 234 | 100 | 120-277VAC | WW 2700K - 80 CRI | PC Optic Only | Type II Medium | Yes |

All values typical unless otherwise stated (tolerance +/- 10%).

Lens - To add additional lens cover, swap 4th character 'N' to '7' for glass or '4' for polycarbonate. Not suitable with Type III Short optic

Optic - For Type V optic change 5th character to a '6', For Type III Short optic change 5th character to a 'J'

CCT - 2200K and amber options available, refer to Dialight representative for information.

Voltage - For 347-415-480 VAC change the 7th character to '5'.

Surge Protection - For 10kA surge protection 120-277 VAC change 7th character to '8'. For 10kA surge protection 347-415-480 VAC change 7th character to '9'.

Mounting Bracket - Mast arm bracket supplied as standard. For adjustable slip fitter option, change 10th character to 'S'.

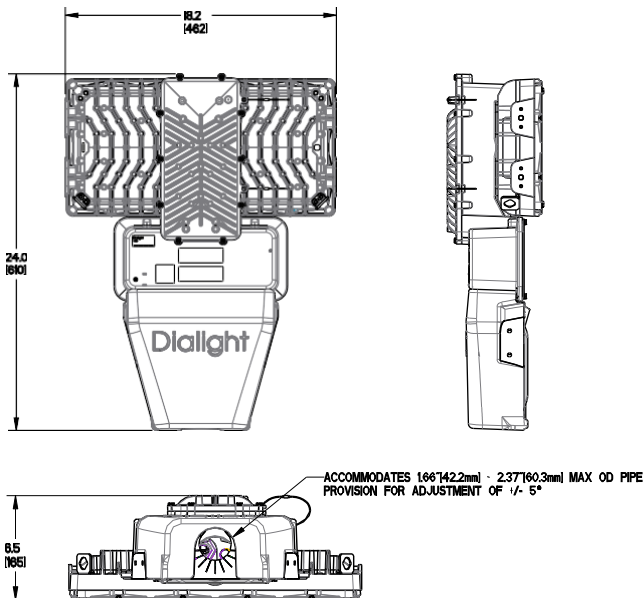
DISCLAIMER. All product information provided is, to the best of Dialight's knowledge, accurate as of the date of publication. When ordering, refer to www.dialight.com for current versions of: (a) relevant product documentation (including the relevant product data sheets); (b) Dialight terms and conditions of sale; and, (c) the relevant product warranty. To the extent that any contract is deemed formed between Dialight and the purchaser of Dialight products and/or an end-user, versions of documents available at www.dialight.com as at the date of sale shall be the versions incorporated therein. In the event of any discrepancy between this document or information provided at www.dialight.com, the latter shall prevail.

ProSite LED Streetlight - Hazardous S1 Models



Certifications & Ratings

- 10 year warranty
- ATEX/IECEX Zone 2, 21 & 22
 - Ex ec IIC T4 Gc
 - Ex tb IIIC T110°C Db
 - ITS-I 22 ATEX 29411X
 - ITS-I 22 ATEX 294111X
 - IECEX ETL 22.0001X
- IP66/67
- IK08 - Glass lens
- L70 > 150,000 hours @ 25°C ambient



Dimensions in inches [mm]
Additional dimensional drawings on page 10

WARNING - INSTALLATION & SECONDARY RETENTION. Use of any Dialight products without proper installation (including secondary retention / netting) and periodic inspections could cause severe injury or death. Dialight recommends that all installations should use secondary retention / netting (appropriate to the installation environment) where applicable. It is the exclusive responsibility of the contractor, installer and/or end-user to: (a) determine the suitability of the product for its intended application; and, (b) ensure that the product is safely installed (with secondary retention / netting where appropriate) and in compliance with all applicable laws and regulations. To the extent permissible under applicable laws, Dialight disclaims all liability for personal injury and/or other damage resulting from any dislodgment or other dislocation of its products.

Mechanical Information:

| | |
|------------------|---|
| Fixture weight: | 15.5 kg |
| Shipping weight: | 18.8 kg |
| EPA (sq. m): | 0.103 |
| Mounting: | Cast aluminum mast arm bracket - suits 42.2-60.3mm OD pipe (-5°, 0°, +5° tilt settings) |
| Cable entry: | 1 x M25 |

Electrical Specifications:

| | |
|-----------------------|---|
| Operating voltage: | 120-277VAC / 120-250VDC |
| Operating temp: | -40°C to +65°C |
| EMC: | CISPR 15 Flicker: IEC 61000-3-3 Immunity requirements for lighting: IEC 61547 Harmonics: IEC 61000-3-2 Class C |
| Transient protection: | 6kV/3kA |
| THD: | < 20% |
| Power Factor: | > 0.9 |
| Dimming: | DALI 1 and DALI 2 compatible / 0-10V DC |

Construction:

| | |
|-----------|---|
| Housing: | A360 Die-cast aluminum |
| Hardware: | 316 stainless steel |
| Finish: | Superior epoxy and polyester dual coat finish |
| Lens: | Glass Lens Cover |

Photometric Information:

| | |
|---------------|--|
| CRI: | 70 (80 optional) |
| CCT: | 5000K (cool white) 4000K (neutral white) 2200K (warm white) 2700K (warm white) - 80 CRI only Amber |
| Beam pattern: | Type II Medium Type III Medium Type V |

All values typical unless otherwise stated (tolerance +/- 10%)



Ordering Information

ProSite LED Streetlight - Hazardous

| Hazardous - 120-277 VAC, ATEX / IECEx | | | | | | | |
|---------------------------------------|----------------|---------|----------|------------|-------------------|-------|-----------------|
| Part Number | Fixture Lumens | Wattage | Efficacy | Voltage | CCT/CRI | Lens | Optic |
| ProSite Streetlight 12,000lm | | | | | | | |
| S1B-7QB2-BDTN-VGN | 10,600 | 81 | 131 | 120-277VAC | CW 5000K - 70 CRI | Glass | Type III Medium |
| S1B-7PB2-BDTN-VGN | 10,300 | 81 | 127 | 120-277VAC | CW 5000K - 70 CRI | Glass | Type II Medium |
| S1B-7QL2-BDTN-VGN | 10,600 | 81 | 131 | 120-277VAC | NW 4000K - 70 CRI | Glass | Type III Medium |
| S1B-7PL2-BDTN-VGN | 10,300 | 81 | 127 | 120-277VAC | NW 4000K - 70 CRI | Glass | Type II Medium |
| S1B-7QW2-BDTN-VGN | 8,600 | 81 | 106 | 120-277VAC | WW 2700K - 80 CRI | Glass | Type III Medium |
| S1B-7PW2-BDTN-VGN | 8,400 | 81 | 104 | 120-277VAC | WW 2700K - 80 CRI | Glass | Type II Medium |
| ProSite Streetlight 18,000lm | | | | | | | |
| S1B-7QB2-CDTN-VGN | 15,300 | 124 | 123 | 120-277VAC | CW 5000K - 70 CRI | Glass | Type III Medium |
| S1B-7PB2-CDTN-VGN | 14,900 | 124 | 120 | 120-277VAC | CW 5000K - 70 CRI | Glass | Type II Medium |
| S1B-7QL2-CDTN-VGN | 15,300 | 124 | 123 | 120-277VAC | NW 4000K - 70 CRI | Glass | Type III Medium |
| S1B-7PL2-CDTN-VGN | 14,900 | 124 | 120 | 120-277VAC | NW 4000K - 70 CRI | Glass | Type II Medium |
| S1B-7QW2-CDTN-VGN | 12,500 | 124 | 101 | 120-277VAC | WW 2700K - 80 CRI | Glass | Type III Medium |
| S1B-7PW2-CDTN-VGN | 12,200 | 124 | 98 | 120-277VAC | WW 2700K - 80 CRI | Glass | Type II Medium |
| ProSite Streetlight 24,000lm | | | | | | | |
| S1B-7QB2-EDTN-VGN | 20,000 | 175 | 114 | 120-277VAC | CW 5000K - 70 CRI | Glass | Type III Medium |
| S1B-7PB2-EDTN-VGN | 19,500 | 175 | 111 | 120-277VAC | CW 5000K - 70 CRI | Glass | Type II Medium |
| S1B-7QL2-EDTN-VGN | 20,000 | 175 | 114 | 120-277VAC | NW 4000K - 70 CRI | Glass | Type III Medium |
| S1B-7PL2-EDTN-VGN | 19,500 | 175 | 111 | 120-277VAC | NW 4000K - 70 CRI | Glass | Type II Medium |
| S1B-7QW2-EDTN-VGN | 16,300 | 175 | 93 | 120-277VAC | WW 2700K - 80 CRI | Glass | Type III Medium |
| S1B-7PW2-EDTN-VGN | 15,900 | 175 | 91 | 120-277VAC | WW 2700K - 80 CRI | Glass | Type II Medium |
| ProSite Streetlight 30,000lm | | | | | | | |
| S1B-7QB2-FDTN-VGN | 25,300 | 234 | 108 | 120-277VAC | CW 5000K - 70 CRI | Glass | Type III Medium |
| S1B-7PB2-FDTN-VGN | 24,600 | 234 | 105 | 120-277VAC | CW 5000K - 70 CRI | Glass | Type II Medium |
| S1B-7QL2-FDTN-VGN | 25,300 | 234 | 108 | 120-277VAC | NW 4000K - 70 CRI | Glass | Type III Medium |
| S1B-7PL2-FDTN-VGN | 24,600 | 234 | 105 | 120-277VAC | NW 4000K - 70 CRI | Glass | Type II Medium |
| S1B-7QW2-FDTN-VGN | 20,700 | 234 | 88 | 120-277VAC | WW 2700K - 80 CRI | Glass | Type III Medium |
| S1B-7PW2-FDTN-VGN | 20,100 | 234 | 86 | 120-277VAC | WW 2700K - 80 CRI | Glass | Type II Medium |

All values typical unless otherwise stated (tolerance +/-10%)
 Optic - For Type V optic change 5th character to a '6'.
 CCT - 2200K and amber options available, refer to Dialight representative for information.
 Mounting Bracket - Mast arm bracket supplied as standard.

DISCLAIMER. All product information provided is, to the best of Dialight's knowledge, accurate as of the date of publication. When ordering, refer to www.dialight.com for current versions of: (a) relevant product documentation (including the relevant product data sheets); (b) Dialight terms and conditions of sale; and, (c) the relevant product warranty. To the extent that any contract is deemed formed between Dialight and the purchaser of Dialight products and/or an end-user, versions of documents available at www.dialight.com as at the date of sale shall be the versions incorporated therein. In the event of any discrepancy between this document or information provided at www.dialight.com, the latter shall prevail.

Lumen Tables

| Lumen Output Family | Wattage (120-277 VAC) | Wattage (347-480 VAC) | Optic Character | Optic | PC Optic Only | | | | Glass Lens | | | | Polycarbonate Lens | | | |
|---------------------|-----------------------|-----------------------|-----------------|-----------------|---------------|--------|--------|--------|------------|--------|--------|--------|--------------------|--------|--------|--------|
| | | | | | 5000K | 4000K | 2700K | 2200K | 5000K | 4000K | 2700K | 2200K | 5000K | 4000K | 2700K | 2200K |
| 12klm | 81 | 84 | P | Type II Medium | 12,012 | 12,012 | 9,826 | 10,126 | 10,270 | 10,270 | 8,401 | 8,658 | 9,165 | 9,165 | 7,497 | 7,726 |
| | | | J | Type III Short | 11,418 | 11,418 | 9,340 | 9,625 | - | - | - | - | - | - | - | - |
| | | | Q | Type III Medium | 12,342 | 12,342 | 10,096 | 10,404 | 10,552 | 10,552 | 8,632 | 8,896 | 9,417 | 9,417 | 7,703 | 7,938 |
| | | | 6 | Type V | 13,200 | 13,200 | 10,200 | 10,400 | 12,500 | 12,500 | 9,500 | 9,700 | 11,700 | 11,700 | 8,800 | 9,000 |
| 18klm | 124 | 128 | P | Type II Medium | 17,381 | 17,381 | 14,218 | 14,652 | 14,861 | 14,861 | 12,156 | 12,528 | 13,262 | 13,262 | 10,848 | 11,180 |
| | | | J | Type III Short | 16,522 | 16,522 | 13,515 | 13,928 | - | - | - | - | - | - | - | - |
| | | | Q | Type III Medium | 17,859 | 17,859 | 14,608 | 15,055 | 15,269 | 15,269 | 12,490 | 12,872 | 13,626 | 13,626 | 11,146 | 11,487 |
| | | | 6 | Type V | 19,100 | 19,100 | 14,800 | 15,100 | 18,000 | 18,000 | 13,800 | 14,000 | 17,000 | 17,000 | 12,700 | 13,000 |
| 24klm | 175 | 179 | P | Type II Medium | 22,750 | 22,750 | 18,610 | 19,178 | 19,451 | 19,451 | 15,911 | 16,397 | 17,358 | 17,358 | 14,199 | 14,633 |
| | | | J | Type III Short | 21,625 | 21,625 | 17,689 | 18,230 | - | - | - | - | - | - | - | - |
| | | | Q | Type III Medium | 23,375 | 23,375 | 19,121 | 19,705 | 19,986 | 19,986 | 16,348 | 16,848 | 17,835 | 17,835 | 14,589 | 15,035 |
| | | | 6 | Type V | 25,000 | 25,000 | 19,400 | 19,800 | 23,600 | 23,600 | 18,000 | 18,400 | 22,300 | 22,300 | 16,600 | 17,000 |
| 30klm | 234 | 237 | P | Type II Medium | 28,756 | 28,756 | 23,522 | 24,241 | 24,586 | 24,586 | 20,112 | 20,726 | 21,941 | 21,941 | 17,948 | 18,496 |
| | | | J | Type III Short | 27,334 | 27,334 | 22,359 | 23,043 | - | - | - | - | - | - | - | - |
| | | | Q | Type III Medium | 29,546 | 29,546 | 24,169 | 24,907 | 25,262 | 25,262 | 20,664 | 21,296 | 22,544 | 22,544 | 18,441 | 19,004 |
| | | | 6 | Type V | 31,600 | 31,600 | 24,500 | 25,000 | 29,900 | 29,900 | 22,800 | 23,200 | 28,100 | 28,100 | 21,000 | 21,500 |

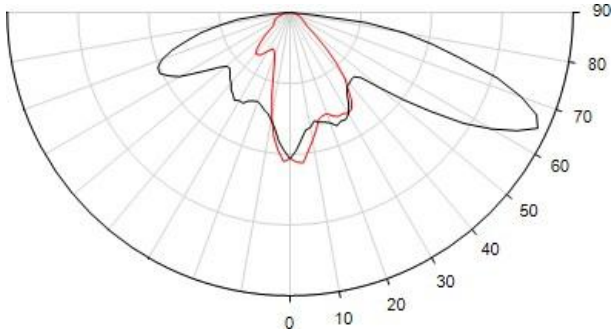
DISCLAIMER. All product information provided is, to the best of Dialight's knowledge, accurate as of the date of publication. When ordering, refer to www.dialight.com for current versions of: (a) relevant product documentation (including the relevant product data sheets); (b) Dialight terms and conditions of sale; and, (c) the relevant product warranty. To the extent that any contract is deemed formed between Dialight and the purchaser of Dialight products and/or an end-user, versions of documents available at www.dialight.com as at the date of sale shall be the versions incorporated therein. In the event of any discrepancy between this document or information provided at www.dialight.com, the latter shall prevail.

Inrush Current

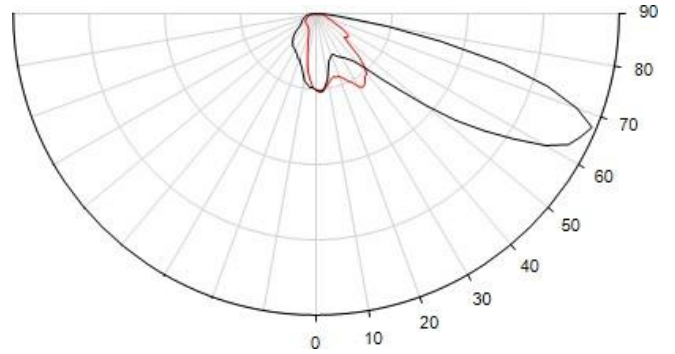
| S1 Models | | | | | |
|-------------------------|-----|------|-----|-----|-----|
| VAC | 120 | 240 | 347 | 415 | 480 |
| Peak inrush current (A) | 7.7 | 15.4 | 4.1 | 4.9 | 5.7 |
| Duration, T50 (ms) | 1.5 | 1.5 | 1.5 | 1.5 | 1.5 |

Beam Distribution

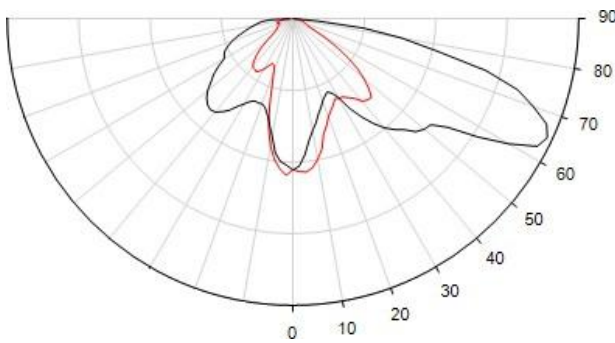
Type II Medium



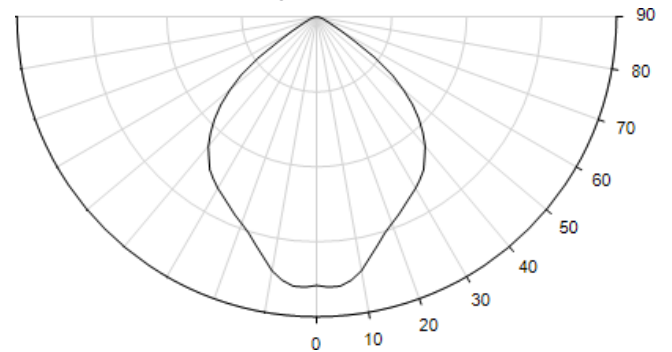
Type III Short



Type III Medium



Type V

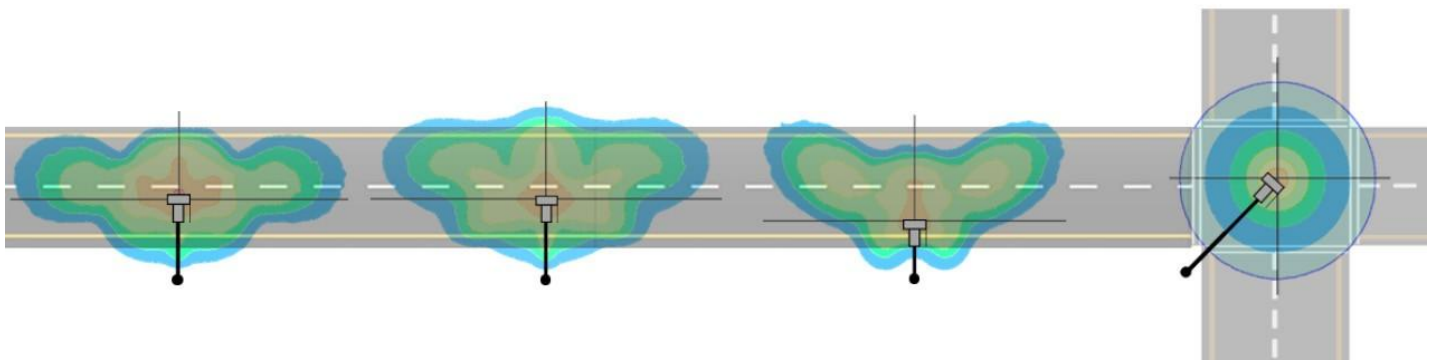


Type II (P)

Type III (Q)

Type III Short (J)

Type V (6)



DISCLAIMER. All product information provided is, to the best of Dialight's knowledge, accurate as of the date of publication. When ordering, refer to www.dialight.com for current versions of: (a) relevant product documentation (including the relevant product data sheets); (b) Dialight terms and conditions of sale; and, (c) the relevant product warranty. To the extent that any contract is deemed formed between Dialight and the purchaser of Dialight products and/or an end-user, versions of documents available at www.dialight.com as at the date of sale shall be the versions incorporated therein. In the event of any discrepancy between this document or information provided at www.dialight.com, the latter shall prevail.

Lumen Maintenance Factor - S1

| 12k lm (Hours) | | | | | | | | | |
|----------------|------|-------|-------|-------|-------|-------|-------|--------|--------|
| Ambient | 0 | 15000 | 30000 | 45000 | 60000 | 75000 | 90000 | 100000 | 150000 |
| 25°C | 100% | 98% | 97% | 96% | 96% | 95% | 94% | 93% | 91% |
| 30°C | 99% | 97% | 96% | 95% | 95% | 94% | 93% | 92% | 90% |
| 35°C | 98% | 96% | 96% | 95% | 95% | 94% | 93% | 92% | 90% |
| 40°C | 98% | 96% | 95% | 94% | 94% | 93% | 92% | 91% | 89% |
| 45°C | 97% | 95% | 94% | 93% | 93% | 92% | 91% | 90% | 88% |
| 50°C | 96% | 94% | 94% | 93% | 93% | 92% | 91% | 90% | 88% |
| 55°C | 96% | 94% | 93% | 92% | 91% | 90% | 90% | 89% | 87% |
| 60°C | 95% | 93% | 92% | 91% | 91% | 90% | 89% | 89% | 86% |
| 65°C | 94% | 92% | 92% | 91% | 90% | 89% | 88% | 88% | 85% |

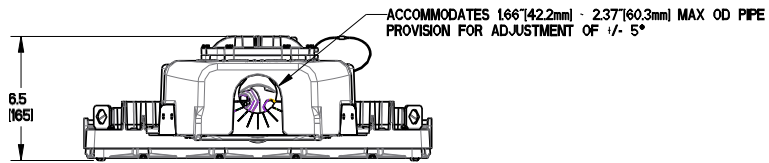
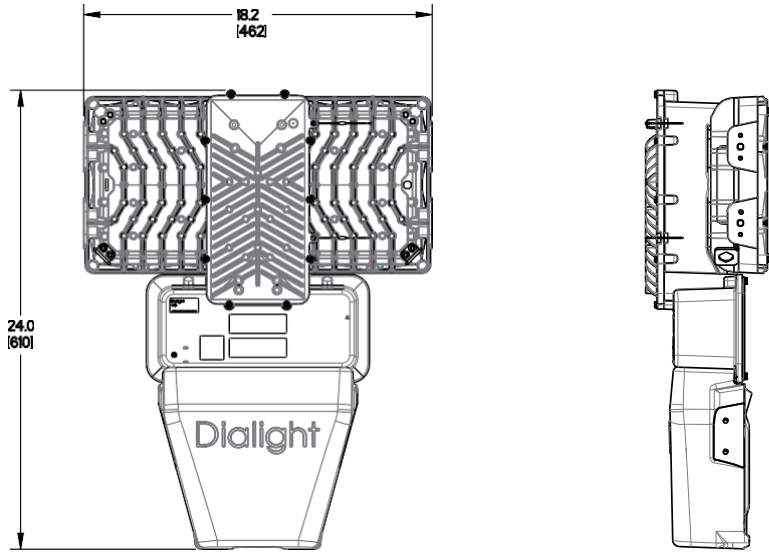
| 18k lm (Hours) | | | | | | | | | |
|----------------|------|-------|-------|-------|-------|-------|-------|--------|--------|
| Ambient | 0 | 15000 | 30000 | 45000 | 60000 | 75000 | 90000 | 100000 | 150000 |
| 25°C | 100% | 98% | 97% | 96% | 96% | 95% | 94% | 93% | 91% |
| 30°C | 99% | 97% | 96% | 95% | 95% | 94% | 93% | 92% | 90% |
| 35°C | 98% | 96% | 96% | 95% | 95% | 94% | 93% | 92% | 90% |
| 40°C | 98% | 96% | 95% | 94% | 94% | 93% | 92% | 91% | 89% |
| 45°C | 97% | 95% | 94% | 93% | 93% | 92% | 91% | 90% | 88% |
| 50°C | 96% | 94% | 94% | 93% | 93% | 92% | 91% | 90% | 88% |
| 55°C | 96% | 94% | 93% | 92% | 91% | 90% | 90% | 89% | 87% |
| 60°C | 95% | 93% | 92% | 91% | 91% | 90% | 89% | 89% | 86% |
| 65°C | 94% | 92% | 92% | 91% | 90% | 89% | 88% | 88% | 85% |

| 30k lm (Hours) | | | | | | | | | |
|----------------|------|-------|-------|-------|-------|-------|-------|--------|--------|
| Ambient | 0 | 15000 | 30000 | 45000 | 60000 | 75000 | 90000 | 100000 | 150000 |
| 25°C | 100% | 98% | 95% | 93% | 91% | 89% | 87% | 85% | 79% |
| 30°C | 99% | 97% | 94% | 92% | 90% | 88% | 86% | 84% | 78% |
| 35°C | 98% | 96% | 93% | 91% | 89% | 87% | 85% | 83% | 77% |
| 40°C | 97% | 94% | 92% | 90% | 88% | 85% | 83% | 82% | 76% |
| 45°C | 96% | 93% | 91% | 88% | 86% | 84% | 82% | 81% | 74% |
| 50°C | 94% | 92% | 90% | 87% | 85% | 83% | 81% | 79% | 72% |
| 55°C | 93% | 91% | 88% | 86% | 84% | 81% | 79% | 78% | 71% |
| 60°C | 92% | 90% | 87% | 85% | 82% | 80% | 78% | 76% | 70% |
| 65°C | 91% | 88% | 86% | 84% | 81% | 79% | 77% | 75% | 68% |

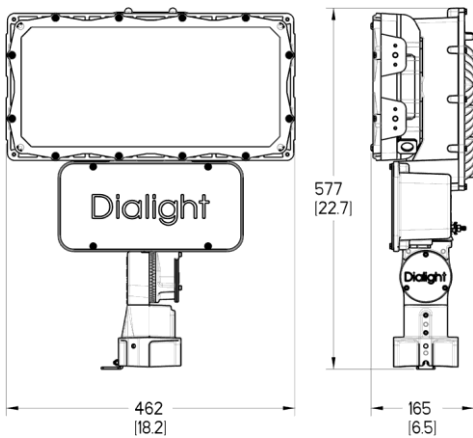
DISCLAIMER. All product information provided is, to the best of Dialight's knowledge, accurate as of the date of publication. When ordering, refer to www.dialight.com for current versions of: (a) relevant product documentation (including the relevant product data sheets); (b) Dialight terms and conditions of sale; and, (c) the relevant product warranty. To the extent that any contract is deemed formed between Dialight and the purchaser of Dialight products and/or an end-user, versions of documents available at www.dialight.com as at the date of sale shall be the versions incorporated therein. In the event of any discrepancy between this document or information provided at www.dialight.com, the latter shall prevail.

Dimensional Drawings

S1 Streetlight



S1 Slipfitter Bracket - CE/RCM

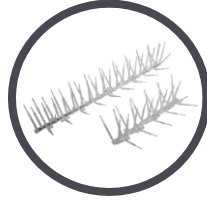


DISCLAIMER. All product information provided is, to the best of Dialight's knowledge, accurate as of the date of publication. When ordering, refer to www.dialight.com for current versions of: (a) relevant product documentation (including the relevant product data sheets); (b) Dialight terms and conditions of sale; and, (c) the relevant product warranty. To the extent that any contract is deemed formed between Dialight and the purchaser of Dialight products and/or an end-user, versions of documents available at www.dialight.com as at the date of sale shall be the versions incorporated therein. In the event of any discrepancy between this document or information provided at www.dialight.com, the latter shall prevail.

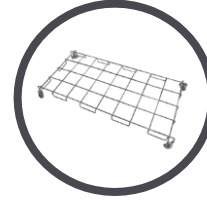
Accessories



- H6XCAB72¹**
- 72" stainless steel safety rope
 - Kit includes: (1) cable
- H6XCAB60¹**
- 60" stainless steel safety rope
 - Kit includes: (1) cable



- F1SPIKES**
- Bird spikes



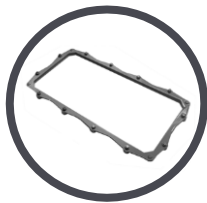
- FLWG**
- Wire guard
 - Kit includes (1) assembly



- SLPC01R**
- Photocell, 105-305 VAC
- SLPC02R**
- Photocell, 312-382 VAC
- SLPC03R**
- Photocell, 432-528 VAC

¹S1 models require 1 cable per unit.

Replacements



- FLGLASSLG**
- Glass lens, gray
- FLPCLG**
- Polycarb lens, gray

- Kit includes (1) assembly



- FL10KV277**
- 10kA surge protection 100-277V
- FL10KV480**
- 10kA surge protection 347-480V

| Replacement Power Supplies | |
|----------------------------|-------------------------------|
| Part Number | Description |
| F1PS2B | 120-277V Power Supply, 12k lm |
| F1PS2C | 120-277V Power Supply, 18k lm |
| F1PS2E | 120-277V Power Supply, 24k lm |
| F1PS2F | 120-277V Power Supply, 30k lm |
| F1PS5B | 347-480V Power Supply, 12k lm |
| F1PS5C | 347-480V Power Supply, 18k lm |
| F1PS5E | 347-480V Power Supply, 24k lm |
| F1PS5F | 347-480V Power Supply, 30k lm |

DISCLAIMER. All product information provided is, to the best of Dialight's knowledge, accurate as of the date of publication. When ordering, refer to www.dialight.com for current versions of: (a) relevant product documentation (including the relevant product data sheets); (b) Dialight terms and conditions of sale; and, (c) the relevant product warranty. To the extent that any contract is deemed formed between Dialight and the purchaser of Dialight products and/or an end-user, versions of documents available at www.dialight.com as at the date of sale shall be the versions incorporated therein. In the event of any discrepancy between this document or information provided at www.dialight.com, the latter shall prevail.

Australia

108 Howe Street
Osborne Park WA 6017
Tel: +61(0)8 9244 7600
sales@dialight.com.au

Southeast Asia

56 Kallang Pudding Road
#09 – 08 HH@Kallang
Singapore 349328
Tel: +65 6578 7271
Fax: +65 6578 7150
enquiry@dialight.com.sg

WARNING / DISCLAIMERS:

Installation & secondary retention. The use of this product without proper installation (including secondary retention / netting) and periodic inspections, could cause severe injury or death. Dialight recommends that all installations should use secondary retention / netting (appropriate to the installation environment) as applicable. Dialight products are intended for ultimate purchase, installation and operation by knowledgeable persons trained in the functional assessment, installation, use and maintenance of such products and all customers (including but not limited to end customers) are responsible for assessing the suitability of Dialight products for any given installation requirement. It is the exclusive responsibility of the contractor, installer and/or end-user to: (a) determine the suitability of the product for its intended application; and, (b) ensure that the product is safely installed (with secondary retention / netting as appropriate) and in compliance with all applicable laws and regulations.

Product specifications & warranties. All product information provided is, to the best of Dialight's knowledge, accurate as of the date of publication. All values and performance data herein are design or typical values when measured under laboratory conditions. The information herein is subject to change without notice. The products / software detailed herein are subject to applicable warranties and terms and conditions of use/purchase. Unless agreed otherwise in writing by an authorized representative of Dialight, Dialight does not represent that its products are fit for any particular purpose and accepts no liability for the installation and/or unauthorised use of its products. When ordering, refer to www.dialight.com for current versions of: (a) relevant product documentation (including relevant product data sheets); (b) Dialight terms and conditions of sale; and, (c) the relevant product warranties. To the extent that any contract is deemed formed between Dialight and the purchaser of Dialight products and/or an end-user, versions of documents available at www.dialight.com as at the date of sale shall be the versions incorporated therein. In the event of any discrepancy between this document and information provided at www.dialight.com, the latter shall prevail.

Exclusion of liability. To the extent permissible under the relevant law, Dialight disclaims all liability for personal injury and/or other damage resulting from any dislodgment or other dislocation of its products. Whilst Dialight has used its reasonable endeavours to ensure the completeness and accuracy of information herein, Dialight does not assume any liability for damages resulting from use of this information or for any third-party representations made in relation to Dialight products.



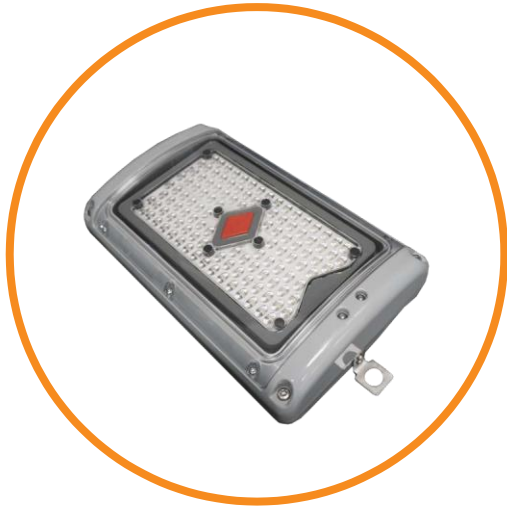
Dialight LED SafeSite[®] Bulkhead

Technical Specification Sheet - APAC



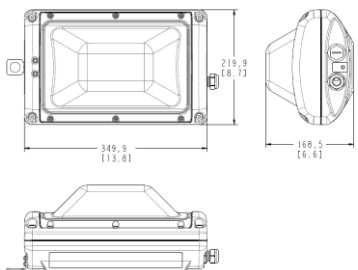
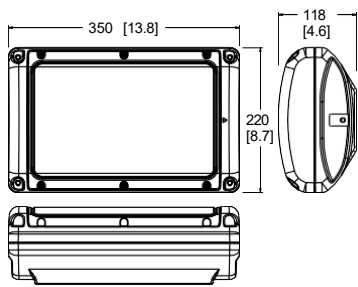
SafeSite® LED Bulkhead

Standard Model



Certifications & Ratings

- 10 year warranty (excluding battery)
- ATEX / IECEx Zone 1, 21
 - Ex eb mb IIC T4 Gb
 - EX tb IIIC T130°C Dc
- ATEX / IECEx Zone 2, 22
 - Ex ec IIC T4 Gc
 - Ex tc IIIC T130°C Dc
- IECEx CSA 21.0047X Ta = -40°C to +65°C for standard models
- IECEx CSA 21.0047X Ta = -20°C to +55°C for battery backup models
- DNV TAE00004H1
- IP66/67
- IK10
- L70 > 150,000 hours @ 65°C (149°F)



Dimensions in mm (inches)

WARNING - INSTALLATION & SECONDARY RETENTION. Use of any Dialight products without proper installation (including secondary retention / netting) and periodic inspections could cause severe injury or death. Dialight recommends that all installations should use secondary retention / netting (appropriate to the installation environment) where applicable. It is the exclusive responsibility of the contractor, installer and/or end-user to: (a) determine the suitability of the product for its intended application; and, (b) ensure that the product is safely installed (with secondary retention / netting where appropriate) and in compliance with all applicable laws and regulations. To the extent permissible under applicable laws, Dialight disclaims all liability for personal injury and/or other damage resulting from any dislodgment or other dislocation of its products.

Mechanical Information:

| | |
|------------------------|----------------------------|
| Fixture weights: | |
| Standard models: | 6.8 kg (15.0 lb) |
| Battery backup models: | 7.7 kg (17 lb) |
| Shipping weights: | |
| Standard models: | 7.3 kg (16.1 lb) |
| Battery backup models: | 8.4 kg (18.5 lb) |
| Cable entry: | (2) M20 - optional (4) M20 |

Materials:

| | |
|-----------|--|
| Housing: | A360 Die-cast aluminium |
| Finish: | Superior dual coat finish - Sealed polyester topcoat - Epoxy primer |
| Lens: | Polycarbonate clear Polycarbonate diffused (optional) Polycarbonate domed diffused |
| Hardware: | 316 Stainless Steel |

Electrical Specifications:

| | |
|------------------------|--|
| Operating voltage: | 100-277 VAC / 120-250 VDC 230-240 VAC |
| Operating temperature: | |
| Standard models: | -40°C to +65°C (-40°F to +149°F) |
| Battery backup models: | -20°C to +55°C (-4°F to +131°F) |
| Transient protection: | IEC 61000-4-5 6kV line-line & line-ground |
| THD: | < 20% |
| Power factor: | > 0.9 |
| Dimming: | DALI 1.0 and 2.0 compatible 0-10 VDC dimming to 10% |

Battery Backup Models: (integral battery)

| | |
|---|---|
| Battery duration* (circular optic, clear lens): | |
| 6.5k lumen outputs: | 180 mins ~ 900 lm 90 mins ~ 1100 lm 60 mins ~ 1140 lm |
| 3k lumen outputs: | 180 mins ~ 800 lm 90 mins ~ 1100 lm 60 mins ~ 1140 lm |

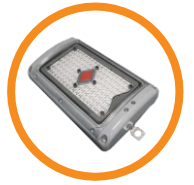
Photometric Information:

| | |
|----------------|---|
| Lumen output*: | 3,000 & 6,500 lm (white light) |
| CRI: | > 80 (white light) |
| CCT: | 5000K (cool white) 4000K (neutral white) 2700K (warm white) Amber Green |

All values typical unless otherwise stated (tolerance +/- 10%)
* @ 25°C ambient

Ordering Information

SafeSite® LED Bulkhead



Zone 1, 21

| Part Number | Fixture Lumens | Wattage | lm/W | Voltage | CCT | Lens | Beam Distribution |
|---|----------------|---------|------|-------------------------|-----------------------|---------------------|---------------------|
| Standard Models with Flush Bracket | | | | | | | |
| BHA-4BC2-3NFN-VGN | 3,300 | 22 | 153 | 100-277VAC / 120-250VDC | 5000K (cool white) | Clear Polycarbonate | Circular |
| BHA-4BC2-6NFN-VGN | 6,200 | 45 | 138 | 100-277VAC / 120-250VDC | 5000K (cool white) | Clear Polycarbonate | Circular |
| BHA-4UC2-3NFN-VGN | 3,100 | 22 | 144 | 100-277VAC / 120-250VDC | 5000K (cool white) | Clear Polycarbonate | Ultra-Wide (Type 1) |
| BHA-4UC2-6NFN-VGN | 6,200 | 45 | 138 | 100-277VAC / 120-250VDC | 5000K (cool white) | Clear Polycarbonate | Ultra-Wide (Type 1) |
| BHA-4BN2-3NFN-VGN | 3,300 | 22 | 153 | 100-277VAC / 120-250VDC | 4000K (neutral white) | Clear Polycarbonate | Circular |
| BHA-4BN2-6NFN-VGN | 6,200 | 45 | 138 | 100-277VAC / 120-250VDC | 4000K (neutral white) | Clear Polycarbonate | Circular |
| BHA-4UN2-3NFN-VGN | 3,100 | 22 | 144 | 100-277VAC / 120-250VDC | 4000K (neutral white) | Clear Polycarbonate | Ultra-Wide (Type 1) |
| BHA-4UN2-6NFN-VGN | 6,200 | 45 | 138 | 100-277VAC / 120-250VDC | 4000K (neutral white) | Clear Polycarbonate | Ultra-Wide (Type 1) |
| BHA-4BA2-5NFN-VGN | 4,200 | 46 | 91 | 100-277VAC / 120-250VDC | Amber | Clear Polycarbonate | Circular |
| Battery Backup Models with Flush Bracket | | | | | | | |
| BHA-4BCG-3NFN-VGF | 3,300 | 25 | 132 | 230-240VAC | 5000K (cool white) | Clear Polycarbonate | Circular |
| BHA-4BCG-6NFN-VGF | 6,200 | 48 | 129 | 230-240VAC | 5000K (cool white) | Clear Polycarbonate | Circular |
| BHA-4UCG-3NFN-VGF | 3,100 | 25 | 124 | 230-240VAC | 5000K (cool white) | Clear Polycarbonate | Ultra-Wide (Type 1) |
| BHA-4UCG-6NFN-VGF | 6,200 | 48 | 129 | 230-240VAC | 5000K (cool white) | Clear Polycarbonate | Ultra-Wide (Type 1) |
| BHA-4BNG-3NFN-VGF | 3,300 | 25 | 132 | 230-240VAC | 4000K (neutral white) | Clear Polycarbonate | Circular |
| BHA-4BNG-6NFN-VGF | 6,200 | 48 | 129 | 230-240VAC | 4000K (neutral white) | Clear Polycarbonate | Circular |
| BHA-4UNG-3NFN-VGF | 3,100 | 25 | 124 | 230-240VAC | 4000K (neutral white) | Clear Polycarbonate | Ultra-Wide (Type 1) |
| BHA-4UNG-6NFN-VGF | 6,200 | 48 | 129 | 230-240VAC | 4000K (neutral white) | Clear Polycarbonate | Ultra-Wide (Type 1) |
| BHA-4BAG-5NFN-VGF | 4,200 | 49 | 86 | 230-240VAC | Amber | Clear Polycarbonate | Circular |
| BHA-6BGG-3NFN-VGG | 2,600 | 33 | 79 | 230-240VAC | Green | Domed Diffused | Circular |

Zone 2, 22 or Zone 21

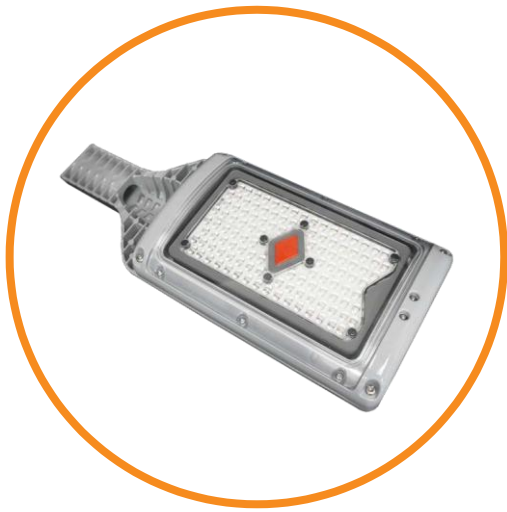
| Part Number | Fixture Lumens | Wattage | lm/W | Voltage | CCT | Lens | Beam Distribution |
|---|----------------|---------|------|-------------------------|-----------------------|---------------------|---------------------|
| Standard Models with Flush Bracket | | | | | | | |
| BHB-4BC2-3NFN-VGN | 3,200 | 22 | 149 | 100-277VAC / 120-250VDC | 5000K (cool white) | Clear Polycarbonate | Circular |
| BHB-4BC2-6NFN-VGN | 6,700 | 45 | 149 | 100-277VAC / 120-250VDC | 5000K (cool white) | Clear Polycarbonate | Circular |
| BHB-4UC2-3NFN-VGN | 3,100 | 22 | 144 | 100-277VAC / 120-250VDC | 5000K (cool white) | Clear Polycarbonate | Ultra-Wide (Type 1) |
| BHB-4UC2-6NFN-VGN | 6,400 | 45 | 142 | 100-277VAC / 120-250VDC | 5000K (cool white) | Clear Polycarbonate | Ultra-Wide (Type 1) |
| BHB-4BN2-3NFN-VGN | 3,200 | 22 | 149 | 100-277VAC / 120-250VDC | 4000K (neutral white) | Clear Polycarbonate | Circular |
| BHB-4BN2-6NFN-VGN | 6,700 | 45 | 149 | 100-277VAC / 120-250VDC | 4000K (neutral white) | Clear Polycarbonate | Circular |
| BHB-4UN2-3NFN-VGN | 3,100 | 22 | 144 | 100-277VAC / 120-250VDC | 4000K (neutral white) | Clear Polycarbonate | Ultra-Wide (Type 1) |
| BHB-4UN2-6NFN-VGN | 6,400 | 45 | 142 | 100-277VAC / 120-250VDC | 4000K (neutral white) | Clear Polycarbonate | Ultra-Wide (Type 1) |
| BHB-4BA2-5NFN-VGN | 4,200 | 46 | 91 | 100-277VAC / 120-250VDC | Amber | Clear Polycarbonate | Circular |
| Battery Backup Models with Flush Bracket | | | | | | | |
| BHB-4BCG-3NFN-VGF | 3,200 | 25 | 128 | 230-240VAC | 5000K (cool white) | Clear Polycarbonate | Circular |
| BHB-4BCG-6NFN-VGF | 6,700 | 48 | 140 | 230-240VAC | 5000K (cool white) | Clear Polycarbonate | Circular |
| BHB-4UCG-3NFN-VGF | 3,100 | 25 | 124 | 230-240VAC | 5000K (cool white) | Clear Polycarbonate | Ultra-Wide (Type 1) |
| BHB-4UCG-6NFN-VGF | 6,400 | 48 | 133 | 230-240VAC | 5000K (cool white) | Clear Polycarbonate | Ultra-Wide (Type 1) |
| BHB-4BNG-3NFN-VGF | 3,200 | 25 | 128 | 230-240VAC | 4000K (neutral white) | Clear Polycarbonate | Circular |
| BHB-4BNG-6NFN-VGF | 6,700 | 48 | 140 | 230-240VAC | 4000K (neutral white) | Clear Polycarbonate | Circular |
| BHB-4UNG-3NFN-VGF | 3,100 | 25 | 124 | 230-240VAC | 4000K (neutral white) | Clear Polycarbonate | Ultra-Wide (Type 1) |
| BHB-4UNG-6NFN-VGF | 6,400 | 48 | 133 | 230-240VAC | 4000K (neutral white) | Clear Polycarbonate | Ultra-Wide (Type 1) |
| BHB-4BAG-5NFN-VGF | 4,200 | 49 | 86 | 230-240VAC | Amber | Clear Polycarbonate | Circular |
| BHB-6BGG-3NFN-VGG | 2,600 | 33 | 79 | 230-240VAC | Green | Domed Diffused | Circular |

All values typical unless otherwise stated (tolerance +/- 10%).
 Part numbers listed in bold are typically available in stock.
 2700k models available on request

DISCLAIMER. All product information provided is, to the best of Dialight's knowledge, accurate as of the date of publication. When ordering, refer to www.dialight.com for current versions of: (a) relevant product documentation (including the relevant product data sheets); (b) Dialight terms and conditions of sale; and, (c) the relevant product warranty. To the extent that any contract is deemed formed between Dialight and the purchaser of Dialight products and/or an end-user, versions of documents available at www.dialight.com as at the date of sale shall be the versions incorporated therein. In the event of any discrepancy between this document or information provided at www.dialight.com, the latter shall prevail.

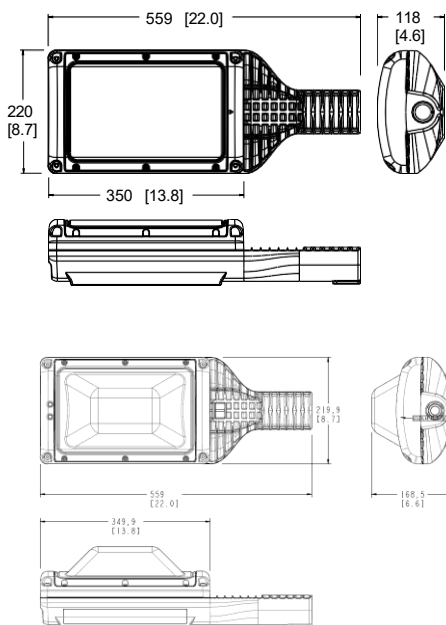
SafeSite® LED Bulkhead

Pole Mount Model



Certifications & Ratings

- 10 year warranty (excluding battery)
- ATEX / IECEx Zone 1, 21
 - Ex eb mb IIC T4 Gb
 - EX tb IIIC T130°C Db
- ATEX / IECEx Zone 2, 22
 - Ex ec IIC T4 Gc
 - Ex tc IIIC T130°C Dc
- IECEx CSA 21.0047X Ta = -40°C to +65°C for standard models
- IECEx CSA 21.0047X Ta = -20°C to +55°C for battery backup model
- DNV TAE00004H1
- IP66/67
- IK10
- L70 > 150,000 hours @ 65°C (149°F)



Dimensions in mm (inches)

WARNING - INSTALLATION & SECONDARY RETENTION. Use of any Dialight products without proper installation (including secondary retention / netting) and periodic inspections could cause severe injury or death. Dialight recommends that all installations should use secondary retention / netting (appropriate to the installation environment) where applicable. It is the exclusive responsibility of the contractor, installer and/or end-user to: (a) determine the suitability of the product for its intended application; and, (b) ensure that the product is safely installed (with secondary retention / netting where appropriate) and in compliance with all applicable laws and regulations. To the extent permissible under applicable laws, Dialight disclaims all liability for personal injury and/or other damage resulting from any dislodgment or other dislocation of its products.

Mechanical Information:

| | |
|------------------------|-----------------------------|
| Fixture weights: | |
| Standard models: | 7.9 kg (17.4 lb) |
| Battery backup models: | 8.8 kg (19.4 lb) |
| Shipping weights: | |
| Standard models: | 8.4 kg (18.5 lb) |
| Battery backup models: | 9.3 kg (20.5 lb) |
| Cable entry: | (1) M25 |
| Spigot entry size: | 35mm ID Optional 44mm ID |

Materials:

| | |
|-----------|--|
| Housing: | A360 Die-cast aluminium |
| Finish: | Superior dual coat finish - Sealed polyester topcoat - Epoxy primer |
| Lens: | Polycarbonate clear Polycarbonate diffused (optional) Polycarbonate domed diffused |
| Hardware: | 316 Stainless Steel |

Electrical Specifications:

| | |
|------------------------|--|
| Operating voltage: | 100-277 VAC / 120-250 VDC 230-240 VAC |
| Operating temperature: | |
| Standard models: | -40°C to +65°C (-40°F to +149°F) |
| Battery backup models: | -20°C to +55°C (-4°F to +131°F) |
| Transient protection: | IEC 61000-4-5 6kV line-line & line-ground |
| THD: | < 20% |
| Power factor: | > 0.9 |
| Dimming: | DALI 1.0 and 2.0 compatible 0-10 VDC dimming to 10% |

Battery Backup Models: (integral battery)

| | |
|---|---|
| Battery duration* (circular optic, clear lens): | |
| 6.5k lumen outputs: | 180 mins ~ 900 lm 90 mins ~ 1100 lm 60 mins ~ 1140 lm |
| 3k lumen outputs: | 180 mins ~ 800 lm 90 mins ~ 1100 lm 60 mins ~ 1140 lm |

Photometric Information:

| | |
|----------------|---|
| Lumen output*: | 3,000 & 6,500 lm (white light) |
| CRI: | > 80 (white light) |
| CCT: | 5000K (cool white) 4000K (neutral white) 2700K (warm white) Amber Green |

All values typical unless otherwise stated (tolerance +/- 10%)
* @ 25°C ambient

Ordering Information **SafeSite® LED Bulkhead - Pole Mount**

Zone 1, 21



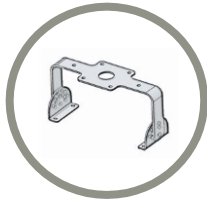
| Part Number | Fixture Lumens | Wattage | lm/W | Voltage | CCT | Lens | Beam Distribution |
|---|----------------|---------|------|-------------------------|-----------------------|---------------------|---------------------|
| Pole Mount Models | | | | | | | |
| BPA-4BC2-3NNN-VGN | 3,300 | 22 | 153 | 100-277VAC / 120-250VDC | 5000K (cool white) | Clear Polycarbonate | Circular |
| BPA-4BC2-6NNN-VGN | 6,200 | 45 | 138 | 100-277VAC / 120-250VDC | 5000K (cool white) | Clear Polycarbonate | Circular |
| BPA-4UC2-3NNN-VGN | 3,100 | 22 | 144 | 100-277VAC / 120-250VDC | 5000K (cool white) | Clear Polycarbonate | Ultra-Wide (Type 1) |
| BPA-4UC2-6NNN-VGN | 6,200 | 45 | 138 | 100-277VAC / 120-250VDC | 5000K (cool white) | Clear Polycarbonate | Ultra-Wide (Type 1) |
| BPA-4BN2-3NNN-VGN | 3,300 | 22 | 153 | 100-277VAC / 120-250VDC | 4000K (neutral white) | Clear Polycarbonate | Circular |
| BPA-4BN2-6NNN-VGN | 6,200 | 45 | 138 | 100-277VAC / 120-250VDC | 4000K (neutral white) | Clear Polycarbonate | Circular |
| BPA-4UN2-3NNN-VGN | 3,100 | 22 | 144 | 100-277VAC / 120-250VDC | 4000K (neutral white) | Clear Polycarbonate | Ultra-Wide (Type 1) |
| BPA-4UN2-6NNN-VGN | 6,200 | 45 | 138 | 100-277VAC / 120-250VDC | 4000K (neutral white) | Clear Polycarbonate | Ultra-Wide (Type 1) |
| BPA-4BA2-5NNN-VGN | 4,200 | 46 | 91 | 100-277VAC / 120-250VDC | Amber | Clear Polycarbonate | Circular |
| BPA-4UA2-5NNN-VGN | 4,000 | 46 | 87 | 100-277VAC / 120-250VDC | Amber | Clear Polycarbonate | Ultra-Wide (Type 1) |
| Pole Mount Models - 44mm Spigot Entry | | | | | | | |
| BZA-4UN2-6NNN-VGN | 6,200 | 45 | 138 | 100-277VAC / 120-250VDC | 4000K (neutral white) | Clear Polycarbonate | Ultra-Wide (Type 1) |
| Pole Mount Battery Backup Models | | | | | | | |
| BPA-4BCG-3NNN-VGF | 3,300 | 25 | 132 | 230-240VAC | 5000K (cool white) | Clear Polycarbonate | Circular |
| BPA-4BCG-6NNN-VGF | 6,200 | 48 | 129 | 230-240VAC | 5000K (cool white) | Clear Polycarbonate | Circular |
| BPA-4UCG-3NNN-VGF | 3,100 | 25 | 124 | 230-240VAC | 5000K (cool white) | Clear Polycarbonate | Ultra-Wide (Type 1) |
| BPA-4UCG-6NNN-VGF | 6,200 | 48 | 129 | 230-240VAC | 5000K (cool white) | Clear Polycarbonate | Ultra-Wide (Type 1) |
| BPA-4BNG-3NNN-VGF | 3,300 | 25 | 132 | 230-240VAC | 4000K (neutral white) | Clear Polycarbonate | Circular |
| BPA-4BNG-6NNN-VGF | 6,200 | 48 | 129 | 230-240VAC | 4000K (neutral white) | Clear Polycarbonate | Circular |
| BPA-4UNG-3NNN-VGF | 3,100 | 25 | 124 | 230-240VAC | 4000K (neutral white) | Clear Polycarbonate | Ultra-Wide (Type 1) |
| BPA-4UNG-6NNN-VGF | 6,200 | 48 | 129 | 230-240VAC | 4000K (neutral white) | Clear Polycarbonate | Ultra-Wide (Type 1) |
| BPA-4BAG-5NNN-VGF | 4,200 | 49 | 86 | 230-240VAC | Amber | Clear Polycarbonate | Circular |
| BPA-4UAG-5NNN-VGF | 4,000 | 49 | 82 | 230-240VAC | Amber | Clear Polycarbonate | Ultra-Wide (Type 1) |
| BPA-6BGG-3NNN-VGG | 2,600 | 33 | 79 | 230-240VAC | Green | Domed Diffused | Circular |
| Pole Mount Battery Backup Models - 44mm Spigot Entry | | | | | | | |
| BZA-4UNG-6NNN-VGF | 6,200 | 48 | 129 | 230-240VAC | 4000K (neutral white) | Clear Polycarbonate | Ultra-Wide (Type 1) |

Zone 2, 22 or Zone 21

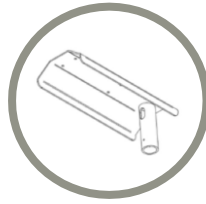
| | | | | | | | |
|---|-------|----|-----|-------------------------|-----------------------|---------------------|---------------------|
| Pole Mount Models | | | | | | | |
| BPB-4BC2-3NNN-VGN | 3,200 | 22 | 149 | 100-277VAC / 120-250VDC | 5000K (cool white) | Clear Polycarbonate | Circular |
| BPB-4BC2-6NNN-VGN | 6,700 | 45 | 149 | 100-277VAC / 120-250VDC | 5000K (cool white) | Clear Polycarbonate | Circular |
| BPB-4UC2-3NNN-VGN | 3,100 | 22 | 144 | 100-277VAC / 120-250VDC | 5000K (cool white) | Clear Polycarbonate | Ultra-Wide (Type 1) |
| BPB-4UC2-6NNN-VGN | 6,400 | 45 | 142 | 100-277VAC / 120-250VDC | 5000K (cool white) | Clear Polycarbonate | Ultra-Wide (Type 1) |
| BPB-4BN2-3NNN-VGN | 3,200 | 22 | 149 | 100-277VAC / 120-250VDC | 4000K (neutral white) | Clear Polycarbonate | Circular |
| BPB-4BN2-6NNN-VGN | 6,700 | 45 | 149 | 100-277VAC / 120-250VDC | 4000K (neutral white) | Clear Polycarbonate | Circular |
| BPB-4UN2-3NNN-VGN | 3,100 | 22 | 144 | 100-277VAC / 120-250VDC | 4000K (neutral white) | Clear Polycarbonate | Ultra-Wide (Type 1) |
| BPB-4UN2-6NNN-VGN | 6,400 | 45 | 142 | 100-277VAC / 120-250VDC | 4000K (neutral white) | Clear Polycarbonate | Ultra-Wide (Type 1) |
| BPB-4BA2-5NNN-VGN | 4,200 | 46 | 91 | 100-277VAC / 120-250VDC | Amber | Clear Polycarbonate | Circular |
| BPB-4UA2-5NNN-VGN | 3,900 | 46 | 85 | 100-277VAC / 120-250VDC | Amber | Clear Polycarbonate | Ultra-Wide (Type 1) |
| Pole Mount Battery Backup Models | | | | | | | |
| BPB-4BCG-3NNN-VGF | 3,200 | 25 | 128 | 230-240VAC | 5000K (cool white) | Clear Polycarbonate | Circular |
| BPB-4BCG-6NNN-VGF | 6,700 | 48 | 140 | 230-240VAC | 5000K (cool white) | Clear Polycarbonate | Circular |
| BPB-4UCG-3NNN-VGF | 3,100 | 25 | 124 | 230-240VAC | 5000K (cool white) | Clear Polycarbonate | Ultra-Wide (Type 1) |
| BPB-4UCG-6NNN-VGF | 6,400 | 48 | 133 | 230-240VAC | 5000K (cool white) | Clear Polycarbonate | Ultra-Wide (Type 1) |
| BPB-4BNG-3NNN-VGF | 3,200 | 25 | 128 | 230-240VAC | 4000K (neutral white) | Clear Polycarbonate | Circular |
| BPB-4BNG-6NNN-VGF | 6,700 | 48 | 140 | 230-240VAC | 4000K (neutral white) | Clear Polycarbonate | Circular |
| BPB-4UNG-3NNN-VGF | 3,100 | 25 | 124 | 230-240VAC | 4000K (neutral white) | Clear Polycarbonate | Ultra-Wide (Type 1) |
| BPB-4UNG-6NNN-VGF | 6,400 | 48 | 133 | 230-240VAC | 4000K (neutral white) | Clear Polycarbonate | Ultra-Wide (Type 1) |
| BPB-4BAG-5NNN-VGF | 4,200 | 49 | 86 | 230-240VAC | Amber | Clear Polycarbonate | Circular |
| BPB-4UAG-5NNN-VGF | 3,900 | 49 | 80 | 230-240VAC | Amber | Clear Polycarbonate | Ultra-Wide (Type 1) |
| BPB-6BGG-3NNN-VGG | 2,600 | 33 | 79 | 230-240VAC | Green | Domed Diffused | Circular |

All values typical unless otherwise stated (tolerance +/- 10%). Part numbers listed in bold are typically available in stock. 2700k models available on request. 44mm spigot entry option available

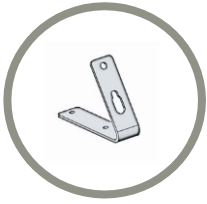
Accessories



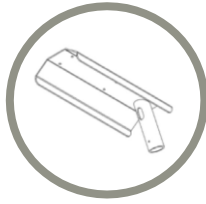
BH-BRKT-SS-ADJ
 • 316 stainless steel adjustable bracket kit



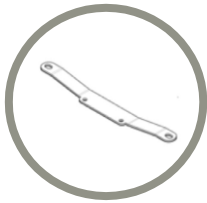
BH-STMB-05-10-HD
 • Aluminium stanchion mount, 5° up-tilt - 50mm pole



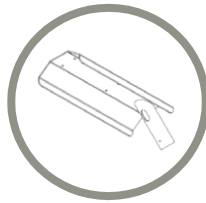
BH-BRKT-A-KIT
 • 316 stainless steel wall/ceiling flush mount bracket kit



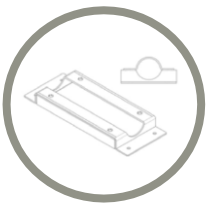
BH-STMB-25-10-HD
 • Aluminium stanchion mount, 25° up-tilt - 50mm pole



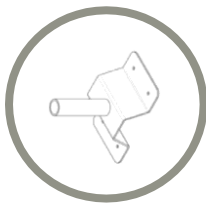
BH-BRKT-F-KIT
 • 316 stainless steel wall/ceiling flush mount bracket kit



BH-STMB-45-10-HD
 • Aluminium stanchion mount, 45° up-tilt - 50mm pole



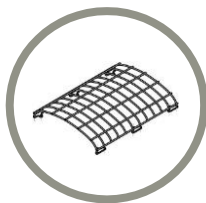
BH-BRKT-LG-PF
 • Aluminium pipe mount bracket kit - 50mm



HZX-SPIGOT-34
 • Aluminium wall mount spigot plate - 34mm



H6XCAB72
 • 72" stainless steel safety rope



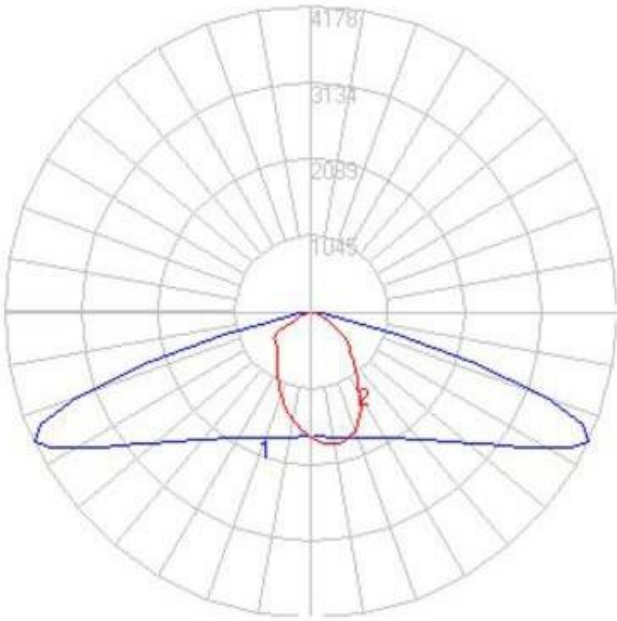
BH-WG-KIT
 • Stainless steel wire guard kit

| SafeSite Replacement Parts | |
|----------------------------|---|
| Part Number | Description |
| BHPSAG3BN | Driver Replacement Kit 230VAC 350mA Battery Backup (3,000lm) - White LED Models |
| BHPSAG6BN | Driver Replacement Kit 230VAC 750mA Battery Backup (6,500lm) - White LED Models |
| BHPSA23NN | Driver Replacement Kit 100-277VAC 350mA (3,000lm) - White LED Models |
| BHPSA26NN | Driver Replacement Kit 100-277VAC 750mA (6,500lm) - White LED Models |
| BHPSAG3BNA | Driver Replacement Kit 230VAC 430mA Battery Backup (3,000lm) - Amber LED Models |
| BHPSAG5BNA | Driver Replacement Kit 230VAC 860mA Battery Backup (5,000lm) - Amber LED Models |
| BHPSA23NNA | Driver Replacement Kit 100-277VAC 430mA (3,000lm) - Amber LED Models |
| BHPSA25NNA | Driver Replacement Kit 100-277VAC 860mA (5,500lm) - Amber LED Models |
| BHPSAG3BNG | Driver Replacement Kit 100-277VAC 430mA (2,600lm) - Green LED Models |
| BHBATTKIT | Battery Replacement Kit (Vigilant & SafeSite) |

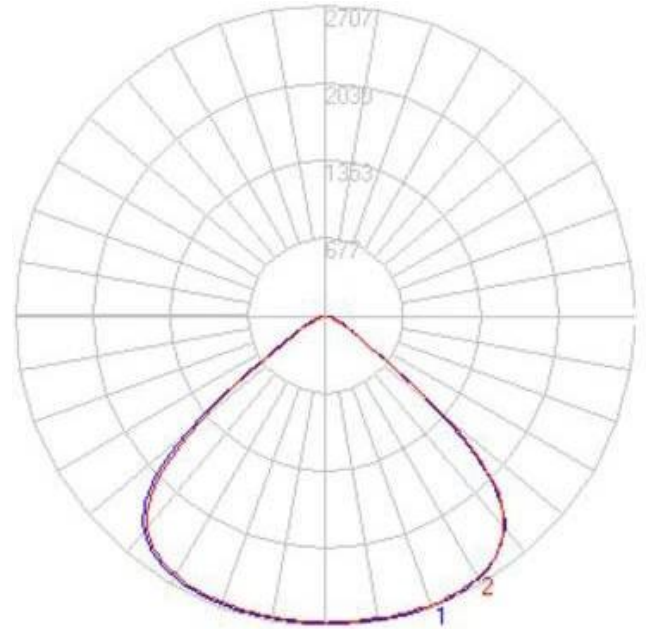
DISCLAIMER. All product information provided is, to the best of Dialight's knowledge, accurate as of the date of publication. When ordering, refer to www.dialight.com for current versions of: (a) relevant product documentation (including the relevant product data sheets); (b) Dialight terms and conditions of sale; and, (c) the relevant product warranty. To the extent that any contract is deemed formed between Dialight and the purchaser of Dialight products and/or an end-user, versions of documents available at www.dialight.com as at the date of sale shall be the versions incorporated therein. In the event of any discrepancy between this document or information provided at www.dialight.com, the latter shall prevail.

Beam Distribution - Zone 1

Ultra-Wide Walkway (Type 1) - Clear

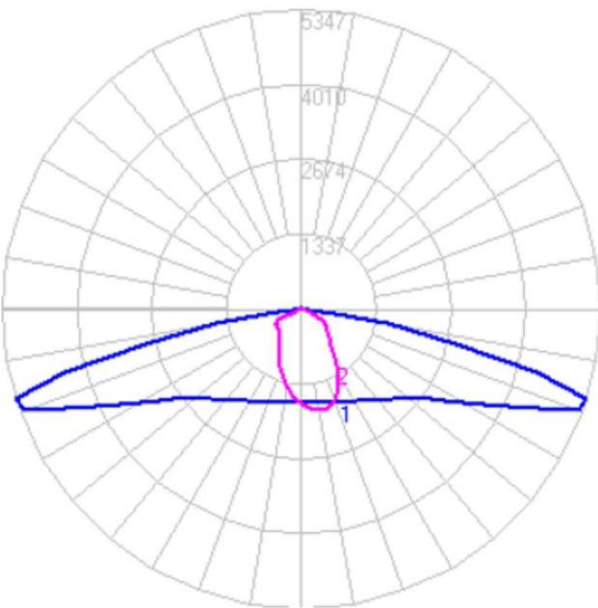


Circular - Clear

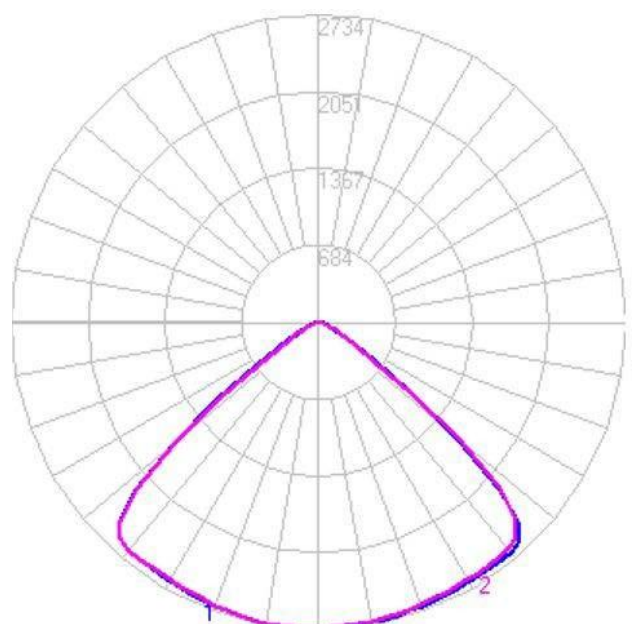


Beam Distribution - Zone 2

Ultra-Wide Walkway (Type 1) - Clear

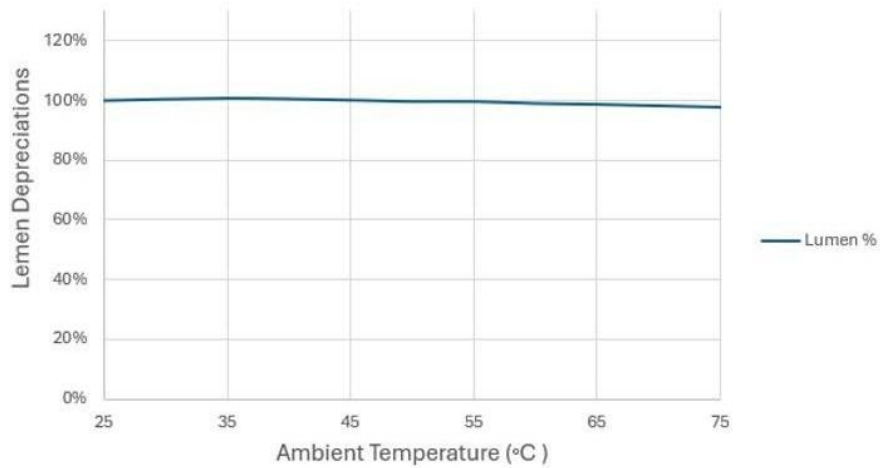


Circular - Clear



DISCLAIMER. All product information provided is, to the best of Dialight's knowledge, accurate as of the date of publication. When ordering, refer to www.dialight.com for current versions of: (a) relevant product documentation (including the relevant product data sheets); (b) Dialight terms and conditions of sale; and, (c) the relevant product warranty. To the extent that any contract is deemed formed between Dialight and the purchaser of Dialight products and/or an end-user, versions of documents available at www.dialight.com as at the date of sale shall be the versions incorporated therein. In the event of any discrepancy between this document or information provided at www.dialight.com, the latter shall prevail.

Thermal Roll-Off



Inrush Current

| Inrush Current | | | | | |
|---------------------------|------|------|-------|-------|-------|
| Duration (T50), 0.4ms | | | | | |
| Supply Voltage (VAC) | 100 | 120 | 230 | 240 | 277 |
| Peak Inrush Current (Apk) | 6.40 | 7.70 | 14.80 | 15.40 | 17.80 |

| Ground Leakage | | | | | |
|-----------------------------|------|------|------|------|------|
| Supply Voltage (VAC) | 100 | 120 | 230 | 240 | 277 |
| Ground Leakage Current (mA) | 0.40 | 0.50 | 0.80 | 0.83 | 1.00 |

DISCLAIMER. All product information provided is, to the best of Dialight's knowledge, accurate as of the date of publication. When ordering, refer to www.dialight.com for current versions of: (a) relevant product documentation (including the relevant product data sheets); (b) Dialight terms and conditions of sale; and, (c) the relevant product warranty. To the extent that any contract is deemed formed between Dialight and the purchaser of Dialight products and/or an end-user, versions of documents available at www.dialight.com as at the date of sale shall be the versions incorporated therein. In the event of any discrepancy between this document or information provided at www.dialight.com, the latter shall prevail.

Lumen Maintenance Factor

| Vigilant Bulkhead 6,500lm | | | | | | | | |
|---------------------------|-------|-------|-------|-------|-------|-------|-------|--------|
| Ambient Temperature | Hours | | | | | | | |
| | 0 | 15000 | 30000 | 45000 | 60000 | 75000 | 90000 | 100000 |
| 25°C | 100% | 98% | 96% | 95% | 93% | 92% | 90% | 90% |
| 30°C | 100% | 98% | 96% | 95% | 93% | 92% | 90% | 90% |
| 35°C | 100% | 98% | 96% | 95% | 93% | 92% | 90% | 90% |
| 40°C | 100% | 98% | 96% | 95% | 93% | 92% | 90% | 90% |
| 45°C | 100% | 98% | 96% | 95% | 93% | 92% | 90% | 90% |
| 50°C | 100% | 97% | 96% | 95% | 93% | 92% | 90% | 89% |
| 55°C | 100% | 97% | 96% | 95% | 93% | 92% | 90% | 89% |
| 60°C | 99% | 97% | 95% | 94% | 93% | 91% | 90% | 89% |
| 65°C | 99% | 97% | 95% | 94% | 92% | 91% | 89% | 89% |

Based on 9,000 hour LM80 data

| Vigilant Bulkhead 3,000lm | | | | | | | | |
|---------------------------|-------|-------|-------|-------|-------|-------|-------|--------|
| Ambient Temperature | Hours | | | | | | | |
| | 0 | 15000 | 30000 | 45000 | 60000 | 75000 | 90000 | 100000 |
| 25°C | 100% | 98% | 96% | 95% | 93% | 92% | 90% | 90% |
| 30°C | 100% | 98% | 96% | 95% | 93% | 92% | 90% | 90% |
| 35°C | 100% | 98% | 96% | 95% | 93% | 92% | 90% | 90% |
| 40°C | 100% | 98% | 96% | 95% | 93% | 92% | 90% | 90% |
| 45°C | 100% | 98% | 96% | 95% | 93% | 92% | 90% | 90% |
| 50°C | 100% | 97% | 96% | 95% | 93% | 92% | 90% | 89% |
| 55°C | 100% | 97% | 96% | 95% | 93% | 92% | 90% | 89% |
| 60°C | 99% | 97% | 95% | 94% | 93% | 91% | 90% | 89% |
| 65°C | 99% | 97% | 95% | 94% | 92% | 91% | 89% | 89% |

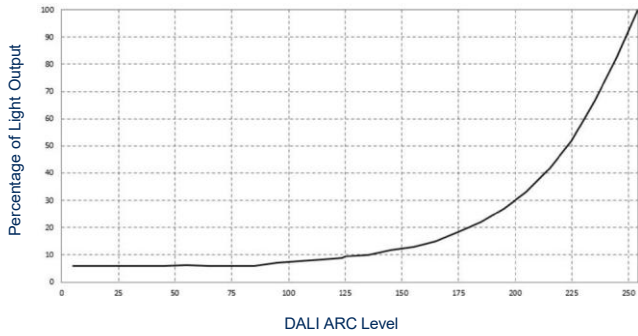
Based on 9,000 hour LM80 data

DISCLAIMER. All product information provided is, to the best of Dialight's knowledge, accurate as of the date of publication. When ordering, refer to www.dialight.com for current versions of: (a) relevant product documentation (including the relevant product data sheets); (b) Dialight terms and conditions of sale; and, (c) the relevant product warranty. To the extent that any contract is deemed formed between Dialight and the purchaser of Dialight products and/or an end-user, versions of documents available at www.dialight.com as at the date of sale shall be the versions incorporated therein. In the event of any discrepancy between this document or information provided at www.dialight.com, the latter shall prevail.

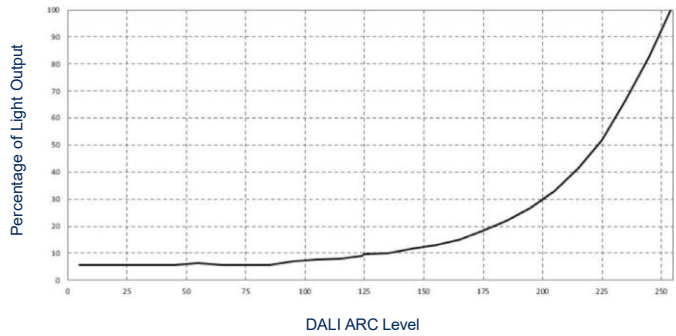
Dimming Curves

DALI Dimming

6,500lm

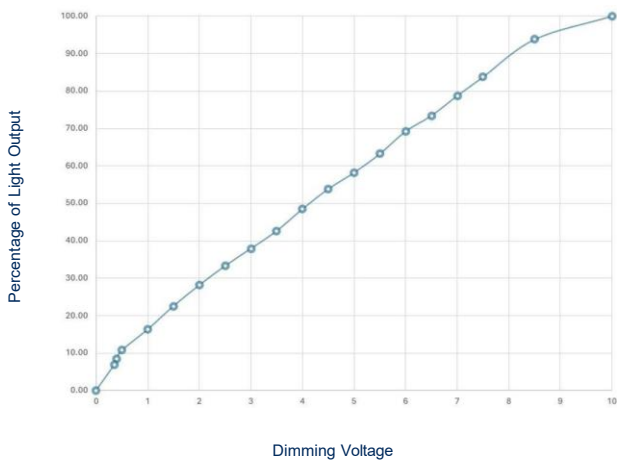


3,000lm

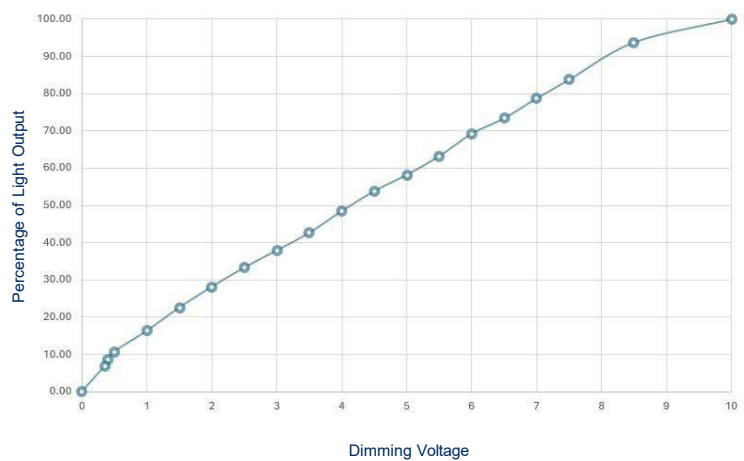


0-10V Dimming

6,500lm



3,000lm



Australia

108 Howe Street
Osborne Park, WA 6017
Tel: +61 (0) 8 9244 7600
Fax: +61 (0) 8 9244 7601
info@dialight.com.au

Southeast Asia

56 Kallang Pudding Road
#09 – 08 HH@Kallang
Singapore 349328
Tel: +65 6578 7271
Fax: +65 6578 7150
enquiry@dialight.com.sg

WARNING / DISCLAIMERS:

Installation & secondary retention. The use of this product without proper installation (including secondary retention / netting) and periodic inspections, could cause severe injury or death. Dialight recommends that all installations should use secondary retention / netting (appropriate to the installation environment) as applicable. Dialight products are intended for ultimate purchase, installation and operation by knowledgeable persons trained in the functional assessment, installation, use and maintenance of such products and all customers (including but not limited to end customers) are responsible for assessing the suitability of Dialight products for any given installation requirement. It is the exclusive responsibility of the contractor, installer and/or end-user to: (a) determine the suitability of the product for its intended application; and, (b) ensure that the product is safely installed (with secondary retention / netting as appropriate) and in compliance with all applicable laws and regulations.

Product specifications & warranties. All product information provided is, to the best of Dialight's knowledge, accurate as of the date of publication. All values and performance data herein are design or typical values when measured under laboratory conditions. The information herein is subject to change without notice. The products / software detailed herein are subject to applicable warranties and terms and conditions of use/purchase. Unless agreed otherwise in writing by an authorized representative of Dialight, Dialight does not represent that its products are fit for any particular purpose and accepts no liability for the installation and/or unauthorised use of its products. When ordering, refer to www.dialight.com for current versions of: (a) relevant product documentation (including relevant product data sheets); (b) Dialight terms and conditions of sale; and, (c) the relevant product warranties. To the extent that any contract is deemed formed between Dialight and the purchaser of Dialight products and/or an end-user, versions of documents available at www.dialight.com as at the date of sale shall be the versions incorporated therein. In the event of any discrepancy between this document and information provided at www.dialight.com, the latter shall prevail.

Exclusion of liability. To the extent permissible under the relevant law, Dialight disclaims all liability for personal injury and/or other damage resulting from any dislodgment or other dislocation of its products. Whilst Dialight has used its reasonable endeavours to ensure the completeness and accuracy of information herein, Dialight does not assume any liability for damages resulting from use of this information or for any third-party representations made in relation to Dialight products.

Dialight



Dialight® LED GRP Linear - IECEx Technical Specification Sheet - APAC



APRIL 2024

SafeSite® LED GRP Linear

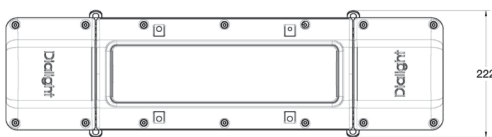
IECEx



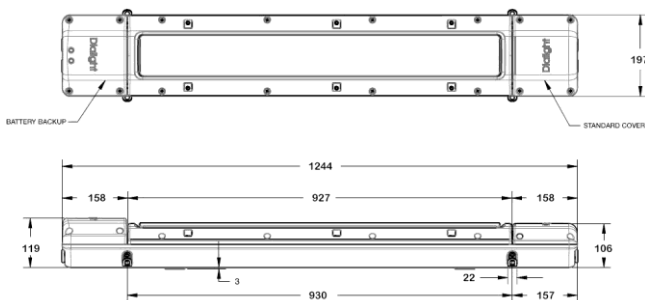
Certifications & Ratings

- 10 year warranty
- CE
- RCM
- IP66/67
- IECEx Zone 1, 2, 21 & 22 • IECEx Zones 2, 21 & 22
 - Ex II 2 GD
 - Ex eb mb op is IIC T4 Gb
 - Ex tb op is IIIC T130°C Db
 - Certification numbers:
 - Sira 19ATEX4226X
 - IECEx SIR 19.0068X
 - Ex II 3 GD
 - Ex ec IIC T4 Gc
 - Ex tc IIIC T130°C Dc
 - IECEx SIR 19.0069X
 - Ex II 2 D
 - Ex tb op is IIIC T130°C Db
 - IECEx SIR 19.0069X
- DALI 1.0/2.0 as standard
- Up to 2,875 & 5,750 (nominal) lumen outputs

764 mm Model



1244 mm Model



Dimensions in mm

Mechanical Information:

| | |
|-------------------|--|
| Fixture weights: | |
| Standard models: | 764 mm: 7.7 kg 1244 mm: 10.9 kg |
| Emergency models: | 764 mm: 8.6 kg 1244 mm: 11.8 kg |
| Mounting: | (2) M8 fixing points Other mounting options available, see page 5 for details |
| Cable entry: | (2) M25 cable entries at both ends, through wired as standard |
| Impact rating: | IK 08 |
| Safety retention: | (4) 316 Stainless steel tabs as standard |

Electrical Specifications:

| | |
|------------------------|---|
| Operating voltage: | Standard: 100-277 VAC, 50/60Hz 120-250 VDC |
| | Emergency: 230/240 VAC, 50Hz 110/120 VAC, 60Hz (Zone 1 only) |
| Operating temperature: | |
| Standard models: | -40°C to +65°C |
| Emergency models: | -20°C to +50°C |
| Harmonics & emissions: | IEC 55015 (conducted & radiated) IEC 61000-3-2 IEC 61000-3-3 IEC 61547 |
| Transient protection: | IEC 61000-4-5 6kV line-to-line & line-to-ground |
| Power factor: | > 0.9 |

Emergency Models:

| | |
|--------------------------|---|
| Lumen output in EM mode: | 10-25% of initial light output (depending on selected duration and length of fitting) |
| Battery duration*: | 90 min. (standard) 60/180 min. (optional, field-configurable) |

Materials:

| | |
|----------|--|
| Housing: | Glass-reinforced polyester |
| Lens: | - Textured polycarbonate convex lens (standard) - Textured flat glass lens (optional) |

Photometric Information:

| | |
|------|--|
| CRI: | 80 minimum |
| CCT: | 5000K (cool white) 4000K (neutral white) Green (Shower-Safe/Eye-Wash station model) Amber (Wildlife-Friendly) |

All values typical unless otherwise stated (tolerance +/- 10%)
* @ 25°C ambient

WARNING - INSTALLATION & SECONDARY RETENTION. Use of any Dialight products without proper installation (including secondary retention / netting) and periodic inspections could cause severe injury or death. Dialight recommends that all installations should use secondary retention / netting (appropriate to the installation environment) where applicable. It is the exclusive responsibility of the contractor, installer and/or end-user to: (a) determine the suitability of the product for its intended application; and, (b) ensure that the product is safely installed (with secondary retention / netting where appropriate) and in compliance with all applicable laws and regulations. To the extent permissible under applicable laws, Dialight disclaims all liability for personal injury and/or other damage resulting from any dislodgment or other dislocation of its products.

Ordering Information

SafeSite® LED GRP Linear - IECEx



| Part Number | Fixture Lumens (Nominal) | Wattage | lm/W | Voltage | CCT | Lens |
|---|--------------------------|---------|------|-------------------------|-----------------------|------------------------|
| Zone 1, 2, 21 & 22 Models (Standard) | | | | | | |
| P2ABMC23A54WGN | 2,875 | 25 | 115 | 100-277 VAC/120-250 VDC | 5000K (cool white) | Textured Polycarbonate |
| P4ABMC26A54WGN | 5,750 | 47 | 123 | 100-277 VAC/120-250 VDC | 5000K (cool white) | Textured Polycarbonate |
| P2ABMN23A54WGN | 2,785 | 25 | 111 | 100-277 VAC/120-250 VDC | 4000K (neutral white) | Textured Polycarbonate |
| P4ABMN26A54WGN | 5,575 | 47 | 119 | 100-277 VAC/120-250 VDC | 4000K (neutral white) | Textured Polycarbonate |
| Zone 1, 2, 21 & 22 Models (Emergency Backup) | | | | | | |
| P2ABMCG3A54WGF | 2,875 | 29 | 99 | 230/240 VAC | 5000K (cool white) | Textured Polycarbonate |
| P4ABMCG6A54WGF | 5,750 | 51 | 113 | 230/240 VAC | 5000K (cool white) | Textured Polycarbonate |
| P2ABMC13A54WGF | 2,875 | 29 | 99 | 110/120 VAC | 5000K (cool white) | Textured Polycarbonate |
| P4ABMC16A54WGF | 5,750 | 51 | 113 | 110/120 VAC | 5000K (cool white) | Textured Polycarbonate |
| P2ABMNG3A54WGF | 2,785 | 29 | 96 | 230/240 VAC | 4000K (neutral white) | Textured Polycarbonate |
| P4ABMNG6A54WGF | 5,575 | 51 | 109 | 230/240 VAC | 4000K (neutral white) | Textured Polycarbonate |
| P2ABMN13A54WGF | 2,785 | 29 | 96 | 110/120 VAC | 4000K (neutral white) | Textured Polycarbonate |
| P4ABMN16A54WGF | 5,575 | 51 | 109 | 110/120 VAC | 4000K (neutral white) | Textured Polycarbonate |
| Zone 2, 21 & 22 Models (Standard) | | | | | | |
| P2BBMC23A5NWGN | 2,875 | 25 | 115 | 100-277 VAC/120-250 VDC | 5000K (cool white) | Textured Polycarbonate |
| P4BBMC26A5NWGN | 5,750 | 47 | 123 | 100-277 VAC/120-250 VDC | 5000K (cool white) | Textured Polycarbonate |
| P2BBMN23A5NWGN | 2,785 | 25 | 111 | 100-277 VAC/120-250 VDC | 4000K (neutral white) | Textured Polycarbonate |
| P4BBMN26A5NWGN | 5,575 | 47 | 119 | 100-277 VAC/120-250 VDC | 4000K (neutral white) | Textured Polycarbonate |
| Zone 2, 21 & 22 Models (Emergency Backup) | | | | | | |
| P2BBMC23A5NWGF | 2,875 | 29 | 99 | 230/240 VAC | 5000K (cool white) | Textured Polycarbonate |
| P4BBMC26A5NWGF | 5,750 | 51 | 113 | 230/240 VAC | 5000K (cool white) | Textured Polycarbonate |
| P2BBMN23A5NWGF | 2,785 | 29 | 96 | 230/240 VAC | 4000K (neutral white) | Textured Polycarbonate |
| P4BBMN26A5NWGF | 5,575 | 51 | 109 | 230/240 VAC | 4000K (neutral white) | Textured Polycarbonate |

All values typical unless otherwise stated (tolerance +/- 10%).

DISCLAIMER. All product information provided is, to the best of Dialight's knowledge, accurate as of the date of publication. When ordering, refer to www.dialight.com for current versions of: (a) relevant product documentation (including the relevant product data sheets); (b) Dialight terms and conditions of sale; and, (c) the relevant product warranty. To the extent that any contract is deemed formed between Dialight and the purchaser of Dialight products and/or an end-user, versions of documents available at www.dialight.com as at the date of sale shall be the versions incorporated therein. In the event of any discrepancy between this document or information provided at www.dialight.com, the latter shall prevail.

Ordering Information

SafeSite® LED GRP Linear - IECEx



| Part Number | Fixture Lumens (Nominal) | Wattage | lm/W | Voltage | CCT | Lens |
|--|--------------------------|---------|------|-------------------------|-------|------------------------|
| Shower-Safe/Eye-Wash Station Version - Zone 1, 2, 21 & 22 (Emergency Backup) | | | | | | |
| P2ABMGG3A54WGF | | 29 | | 230/240 VAC | Green | Textured Polycarbonate |
| P4ABMGG6A54WGF | | 51 | | 230/240 VAC | Green | Textured Polycarbonate |
| P2ABMG13A54WGF | | 29 | | 110/120 VAC | Green | Textured Polycarbonate |
| P4ABMG16A54WGF | | 51 | | 110/120 VAC | Green | Textured Polycarbonate |
| Shower-Safe/Eye-Wash Station Version - Zone 2, 21 & 22 (Emergency Backup) | | | | | | |
| P2BBMG23A5NWGF | | 29 | | 230/240 VAC | Green | Textured Polycarbonate |
| P4BBMG26A5NWGF | | 51 | | 230/240 VAC | Green | Textured Polycarbonate |
| Wildlife Friendly - Zone 1, 2, 21 & 22 (Standard) | | | | | | |
| P2ABMA23A54WGN | | 25 | | 100-277 VAC/120-250 VDC | Amber | Textured Polycarbonate |
| P4ABMA26A54WGN | | 47 | | 100-277 VAC/120-250 VDC | Amber | Textured Polycarbonate |
| Wildlife Friendly - Zone 1, 2, 21 & 22 (Emergency Backup) | | | | | | |
| P2ABMAG3A54WGF | | 29 | | 230/240 VAC | Amber | Textured Polycarbonate |
| P4ABMAG6A54WGF | | 51 | | 230/240 VAC | Amber | Textured Polycarbonate |
| P2ABMA13A54WGF | | 29 | | 110/120 VAC | Amber | Textured Polycarbonate |
| P4ABMA16A54WGF | | 51 | | 110/120 VAC | Amber | Textured Polycarbonate |
| Wildlife Friendly - Zone 2, 21 & 22 (Standard) | | | | | | |
| P2BBMA23A5NWGN | | 25 | | 100-277 VAC/120-250 VDC | Amber | Textured Polycarbonate |
| P4BBMA26A5NWGN | | 47 | | 100-277 VAC/120-250 VDC | Amber | Textured Polycarbonate |
| Wildlife Friendly - Zone 2, 21 & 22 (Emergency Backup) | | | | | | |
| P2BBMA23A5NWGF | | 29 | | 230/240 VAC | Amber | Textured Polycarbonate |
| P4BBMA26A5NWGF | | 51 | | 230/240 VAC | Amber | Textured Polycarbonate |

All values typical unless otherwise stated (tolerance +/- 10%).

DISCLAIMER. All product information provided is, to the best of Dialight's knowledge, accurate as of the date of publication. When ordering, refer to www.dialight.com for current versions of: (a) relevant product documentation (including the relevant product data sheets); (b) Dialight terms and conditions of sale; and, (c) the relevant product warranty. To the extent that any contract is deemed formed between Dialight and the purchaser of Dialight products and/or an end-user, versions of documents available at www.dialight.com as at the date of sale shall be the versions incorporated therein. In the event of any discrepancy between this document or information provided at www.dialight.com, the latter shall prevail.

Accessories



ELX-CMB-SS

- 316 Marine Grade stainless steel ceiling mount kit



ELX-PC-SS-42

- 37-44mm Ø 316 Marine Grade stainless steel pole clamp



ELX-WMB-SS-45

- 45° 316 Marine Grade stainless steel wall mount kit



HBXCAB48

- 1.2m (48") long stainless steel safety rope (for use with safety bracket)

ELX-PC-SS-47

- 44-50mm Ø 316 Marine Grade stainless steel pole clamp

ELX-WMB-SS-60

- 60° 316 Marine Grade stainless steel wall mount kit

ELX-PC-SS-54

- 50-58mm Ø 316 Marine Grade stainless steel pole clamp

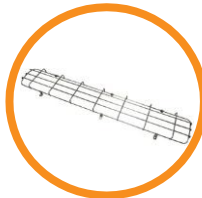
ELX-PC-SS-59

- 58-68mm Ø 316 Marine Grade stainless steel pole clamp



ELX-EYE-SS

- 316 Marine Grade stainless steel eyelet kit



RLX-WG-2

- Wire guard for 764mm model

RLX-WG-4

- Wire guard for 1244mm model



RLX-BATT-KIT-2

- 764mm replacement battery kit



RL-WIRELESS-2*

- Wireless controls kit for 764mm models (Zone 2 only)

RLX-BATT-KIT-4

- 1244mm replacement battery kit

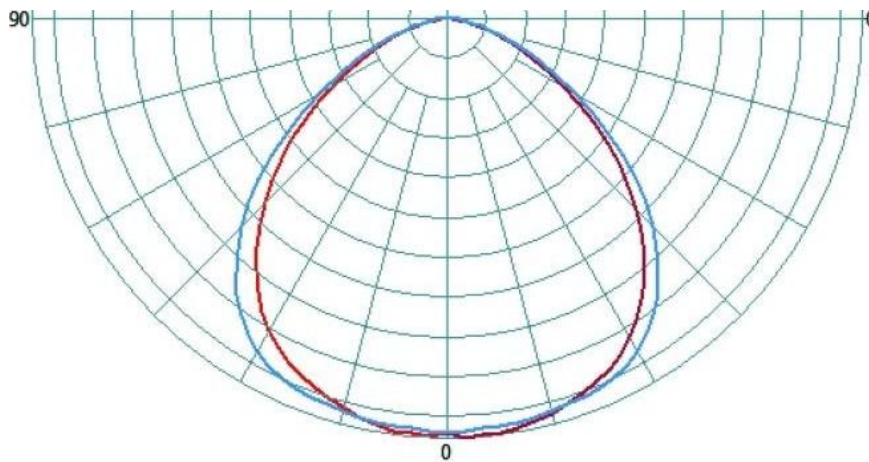
RL-WIRELESS-4*

- Wireless controls kit for 1244mm models (Zone 2 only)

*Must be fitted to GRP Linear by authorized Dialight personnel prior to delivery

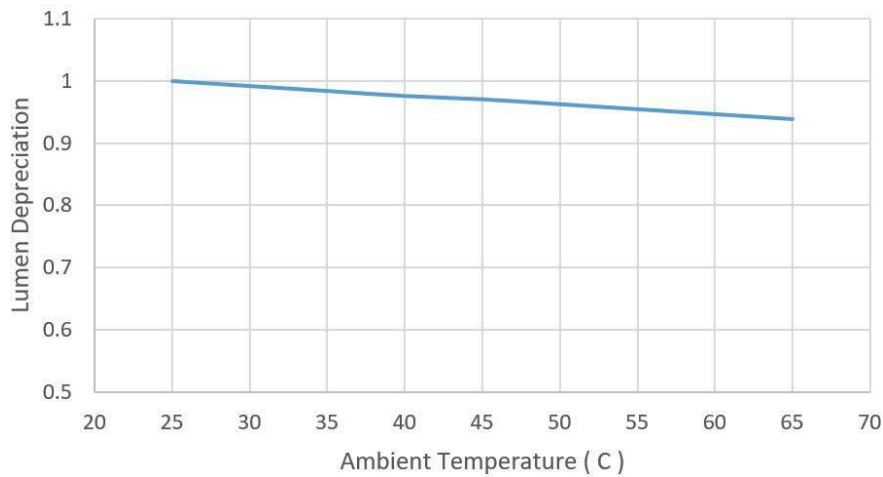
DISCLAIMER. All product information provided is, to the best of Dialight's knowledge, accurate as of the date of publication. When ordering, refer to www.dialight.com for current versions of: (a) relevant product documentation (including the relevant product data sheets); (b) Dialight terms and conditions of sale; and, (c) the relevant product warranty. To the extent that any contract is deemed formed between Dialight and the purchaser of Dialight products and/or an end-user, versions of documents available at www.dialight.com as at the date of sale shall be the versions incorporated therein. In the event of any discrepancy between this document or information provided at www.dialight.com, the latter shall prevail.

Beam Distribution

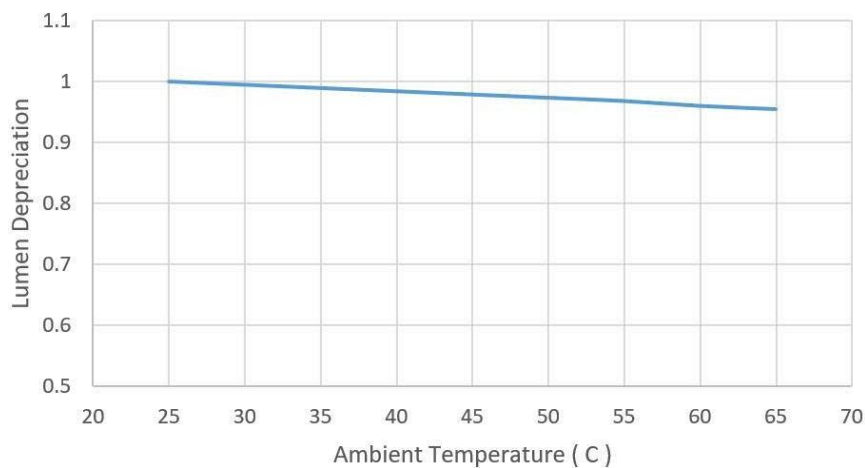


Thermal Roll-Off

Thermal Rolloff - GRP Linear, 764mm model



Thermal Rolloff - GRP Linear, 1244mm model



DISCLAIMER. All product information provided is, to the best of Dialight's knowledge, accurate as of the date of publication. When ordering, refer to www.dialight.com for current versions of: (a) relevant product documentation (including the relevant product data sheets); (b) Dialight terms and conditions of sale; and, (c) the relevant product warranty. To the extent that any contract is deemed formed between Dialight and the purchaser of Dialight products and/or an end-user, versions of documents available at www.dialight.com as at the date of sale shall be the versions incorporated therein. In the event of any discrepancy between this document or information provided at www.dialight.com, the latter shall prevail.

Lumen Maintenance Factor

| 764mm GRP Linear | | | | | | | | | |
|---------------------|-------|-------|-------|-------|-------|-------|-------|--------|--------|
| Ambient Temperature | Hours | | | | | | | | |
| | 0 | 15000 | 30000 | 45000 | 60000 | 75000 | 90000 | 100000 | 150000 |
| 25°C | 100% | 98% | 96% | 95% | 94% | 92% | 91% | 90% | 86% |
| 30°C | 99% | 97% | 96% | 94% | 93% | 92% | 90% | 89% | 85% |
| 35°C | 98% | 96% | 95% | 93% | 92% | 91% | 90% | 89% | 85% |
| 40°C | 98% | 95% | 94% | 93% | 91% | 90% | 89% | 88% | 84% |
| 45°C | 97% | 95% | 94% | 92% | 91% | 90% | 88% | 88% | 84% |
| 50°C | 96% | 94% | 93% | 91% | 90% | 89% | 88% | 87% | 83% |
| 55°C | 96% | 93% | 92% | 91% | 89% | 88% | 87% | 86% | 82% |
| 60°C | 95% | 92% | 91% | 90% | 89% | 87% | 86% | 85% | 82% |
| 65°C | 94% | 91% | 90% | 88% | 87% | 85% | 84% | 83% | 78% |

| 1244mm GRP Linear | | | | | | | | | |
|---------------------|-------|-------|-------|-------|-------|-------|-------|--------|--------|
| Ambient Temperature | Hours | | | | | | | | |
| | 0 | 15000 | 30000 | 45000 | 60000 | 75000 | 90000 | 100000 | 150000 |
| 25°C | 100% | 98% | 96% | 95% | 94% | 92% | 91% | 90% | 86% |
| 30°C | 99% | 97% | 96% | 94% | 93% | 92% | 91% | 90% | 86% |
| 35°C | 99% | 97% | 95% | 94% | 93% | 91% | 90% | 89% | 85% |
| 40°C | 98% | 96% | 95% | 93% | 92% | 91% | 90% | 89% | 85% |
| 45°C | 98% | 96% | 94% | 93% | 92% | 90% | 89% | 88% | 84% |
| 50°C | 97% | 95% | 94% | 92% | 91% | 90% | 89% | 88% | 84% |
| 55°C | 97% | 95% | 93% | 92% | 91% | 89% | 88% | 87% | 83% |
| 60°C | 96% | 94% | 92% | 91% | 90% | 89% | 87% | 87% | 83% |
| 65°C | 96% | 93% | 92% | 91% | 89% | 88% | 87% | 86% | 82% |

DISCLAIMER. All product information provided is, to the best of Dialight's knowledge, accurate as of the date of publication. When ordering, refer to www.dialight.com for current versions of: (a) relevant product documentation (including the relevant product data sheets); (b) Dialight terms and conditions of sale; and, (c) the relevant product warranty. To the extent that any contract is deemed formed between Dialight and the purchaser of Dialight products and/or an end-user, versions of documents available at www.dialight.com as at the date of sale shall be the versions incorporated therein. In the event of any discrepancy between this document or information provided at www.dialight.com, the latter shall prevail.

Australia

108 Howe Street
Osborne Park, WA 6017
Tel: +61 (0) 8 9244 7600
Fax: +61 (0) 8 9244 7601
info@dialight.com.au

Southeast Asia

56 Kallang Pudding Road
#09 – 08 HH@Kallang
Singapore 349328
Tel: +65 6578 7271
Fax: +65 6578 7150
enquiry@dialight.com.sg

WARNING / DISCLAIMERS:

Installation & secondary retention. The use of this product without proper installation (including secondary retention / netting) and periodic inspections, could cause severe injury or death. Dialight recommends that all installations should use secondary retention / netting (appropriate to the installation environment) as applicable. Dialight products are intended for ultimate purchase, installation and operation by knowledgeable persons trained in the functional assessment, installation, use and maintenance of such products and all customers (including but not limited to end customers) are responsible for assessing the suitability of Dialight products for any given installation requirement. It is the exclusive responsibility of the contractor, installer and/or end-user to: (a) determine the suitability of the product for its intended application; and, (b) ensure that the product is safely installed (with secondary retention / netting as appropriate) and in compliance with all applicable laws and regulations.

Product specifications & warranties. All product information provided is, to the best of Dialight's knowledge, accurate as of the date of publication. All values and performance data herein are design or typical values when measured under laboratory conditions. The information herein is subject to change without notice. The products / software detailed herein are subject to applicable warranties and terms and conditions of use/purchase. Unless agreed otherwise in writing by an authorized representative of Dialight, Dialight does not represent that its products are fit for any particular purpose and accepts no liability for the installation and/or unauthorised use of its products. When ordering, refer to www.dialight.com for current versions of: (a) relevant product documentation (including relevant product data sheets); (b) Dialight terms and conditions of sale; and, (c) the relevant product warranties. To the extent that any contract is deemed formed between Dialight and the purchaser of Dialight products and/or an end-user, versions of documents available at www.dialight.com as at the date of sale shall be the versions incorporated therein. In the event of any discrepancy between this document and information provided at www.dialight.com, the latter shall prevail.

Exclusion of liability. To the extent permissible under the relevant law, Dialight disclaims all liability for personal injury and/or other damage resulting from any dislodgment or other dislocation of its products. Whilst Dialight has used its reasonable endeavours to ensure the completeness and accuracy of information herein, Dialight does not assume any liability for damages resulting from use of this information or for any third-party representations made in relation to Dialight products.

Dialight



SafeSite® LED High Bay - ATEX / IECEx - APAC
for Indoor and Outdoor Industrial Applications



FEBRUARY 2023



Features & Benefits

- 10 year warranty
- L70 rated for >150,000 hours @ 25°C ambient
- Low power consumption
- Instant on/off
- Mercury free
- No UV or IR
- Resistant to shock and vibration
- Superior colour rendition index compared to HPS, LPS, MV
- Optional glass retention film available

Application

The Dialight SafeSite[®] LED High Bay luminaire was designed specifically to replace conventional lighting in a wide variety of indoor and outdoor hazardous area applications. Its low profile light weight design and versatile mounting options make it ideal for High Bay applications for ATEX and IECEx classified hazardous area zones. Dialight's long life LED luminaires are designed to meet the most demanding specification criteria while offering maximum energy savings, reduced maintenance costs, and a superior quality of light.

SafeSite® LED High Bay - ATEX / IECEx

Standard Models



Patent pending

Certifications & Ratings (All Models)

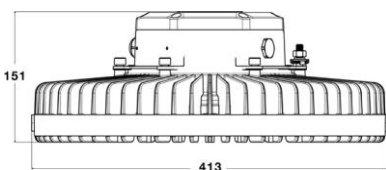
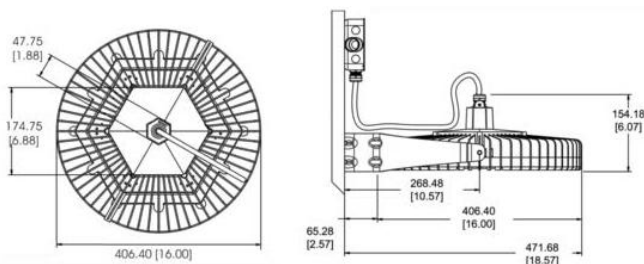
- ATEX / IECEx Zones 1, 21
- ATEX / IECEx Zones 2, 22
- CE
- IP66
- RoHS compliant

Certifications & Ratings (IIB Models)

- Ex II 2 GB
- Ex db eb op is IIB T5 Gb
- Ex tb op is IIIC T100°C Db
- Certificate numbers:
Sira 18ATEX1001X
IECEX SIR 18.0001X

Certifications & Ratings (IIB + H2 Models)

- Ex II 2 GD
- Ex de IIB+H2 T4 Gb
- Ex tb IIIC 135°C
- Certificate numbers:
Baseefa 12ATEX0070X
IECEX BAS 12.0044X



Dimensions in mm (inches)

Mechanical Information:

| | |
|---|--------------------------------------|
| Fixture weight: | |
| Standard Models: | 14.1 kg (31 lb) |
| Junction Box Models: | 15.5 kg (34 lb) |
| Mounting: | Aluminum mounting bracket (included) |
| Wiring options for Junction Box models: | 2 off M25 x 1.5mm cable entries |

Electrical Specifications:

| | |
|---------------------------------|--|
| Operating voltage: | |
| Standard Models: | 100-277 VAC, 120-250 VDC |
| Hydrogen Models: | 100-277 VAC |
| Total system power consumption: | See table |
| Operating temperature: | -40°C to +60°C |
| Harmonics: | IEC 61000-3-2 |
| Surge protection: | Protection devices capable of handling up to 6kV. Tested for 6kV/2 ohm combination wave, as per IEEE C62.41, line-line and line-ground |
| THD: | <20% |
| Power factor: | > 0.9 |

Construction:

| | |
|----------|--|
| Housing: | Copper-free aluminum |
| Finish: | Superior dual coat finish - Sealed polyester topcoat - Chemical resistant epoxy primer |
| Lens: | Tempered glass (optional fragment retention film available) |

Photometric Information:

| | |
|------|---|
| CRI: | 80 typical |
| CCT: | 5000K (cool white) 4000K (neutral white) |

All values typical unless otherwise stated (tolerance +/- 10%)

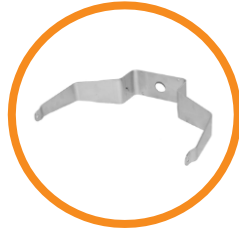
WARNING - INSTALLATION & SECONDARY RETENTION. Use of any Dialight products without proper installation (including secondary retention / netting) and periodic inspections could cause severe injury or death. Dialight recommends that all installations should use secondary retention / netting (appropriate to the installation environment) where applicable. It is the exclusive responsibility of the contractor, installer and/or end-user to: (a) determine the suitability of the product for its intended application; and, (b) ensure that the product is safely installed (with secondary retention / netting where appropriate) and in compliance with all applicable laws and regulations. To the extent permissible under applicable laws, Dialight disclaims all liability for personal injury and/or other damage resulting from any dislodgment or other dislocation of its products.

SafeSite® LED High Bay - ATEX / IECEx

Accessories & Beam Distribution Pattern



HBXW3-SSL-316M
 • 316 stainless steel bracket



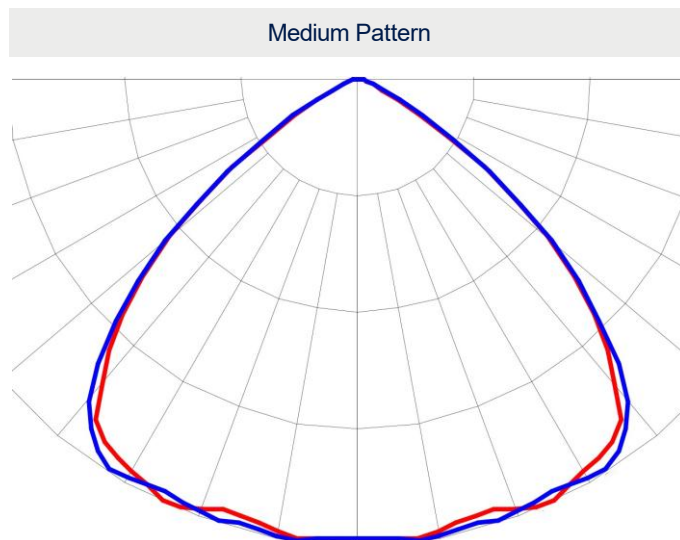
HBXW3
 • Aluminium swivel bracket
 (included with fixture)



HBXSBDK
 • Sand blast kit (dome lens)
HBXSBDL
 • Sacrificial dome lens



HBXSBK
 • Sand blast kit (flat lens)
HBXSBL
 • Sacrificial flat lens



SafeSite® LED High Bay - ATEX / IECEx

Ordering Information

| Current Part Number | Historic Part Number | Fixture Lumens | Wattage @ 240VAC | lm/W | Voltage | Colour Temperature (CCT) | Lens | Beam Distribution |
|---|----------------------|----------------|------------------|------|--------------------------|--------------------------|----------------------|-------------------|
| IECEx Standard Cabled Models | | | | | | | | |
| HEA7MN2ANA-WNGN | HEA9MN4DN-BCG | 7,870 | 58 | 136 | 100-277 VAC, 120-250 VDC | Neutral White 4000K | Clear Tempered Glass | Medium |
| HEA7MN2BNA-WNGN | HEA9MN4GN-BCG | 10,570 | 77 | 137 | 100-277 VAC, 120-250 VDC | Neutral White 4000K | Clear Tempered Glass | Medium |
| HEA7MN2CNA-WNGN | HEA9MN4KN-BCG | 15,890 | 113 | 141 | 100-277 VAC, 120-250 VDC | Neutral White 4000K | Clear Tempered Glass | Medium |
| HEA7MN2ENA-WNGN | HEA9MN4PN-BCG | 20,810 | 148 | 141 | 100-277 VAC, 120-250 VDC | Neutral White 4000K | Clear Tempered Glass | Medium |
| IECEx Standard Junction Box Models | | | | | | | | |
| HWA7MN2ADA-NNGN | HEA9MN4DN-KCG | 7,870 | 58 | 136 | 100-277 VAC, 120-250 VDC | Neutral White 4000K | Clear Tempered Glass | Medium |
| HWA7MN2BDA-NNGN | HEA9MN4GN-KCG | 10,570 | 77 | 137 | 100-277 VAC, 120-250 VDC | Neutral White 4000K | Clear Tempered Glass | Medium |
| HWA7MN2CDA-NNGN | HEA9MN4KN-KCG | 15,890 | 113 | 141 | 100-277 VAC, 120-250 VDC | Neutral White 4000K | Clear Tempered Glass | Medium |
| HWA7MN2EDA-NNGN | HEA9MN4PN-KCG | 20,810 | 148 | 141 | 100-277 VAC, 120-250 VDC | Neutral White 4000K | Clear Tempered Glass | Medium |
| IECEx Hydrogen Area Junction Box Models | | | | | | | | |
| HEH9MN4KN-KCG | HEH9MC4PN-JNG | 16,000 | 144 | 111 | 100-277 VAC, 120-250 VDC | Neutral White 4000K | Clear Tempered Glass | Medium |
| HEH9MN4PN-KCG | HEH9MC4PN-JNG | 23,500 | 212 | 111 | 100-277 VAC, 120-250 VDC | Neutral White 4000K | Clear Tempered Glass | Medium |
| CID2 Standard Cabled Models | | | | | | | | |
| HED7MN2ANN-WNGN | HEDGMC4DN-SNG | 11,000 | 80 | 138 | 100-277 VAC, 120-250 VDC | Neutral White 4000K | Clear Tempered Glass | Medium |
| HED7MN2BNN-WNGN | HEDGMC4GN-SNG | 13,750 | 102 | 135 | 100-277 VAC, 120-250 VDC | Neutral White 4000K | Clear Tempered Glass | Medium |
| HED7MN2CNN-WNGN | HEDGMC4KN-SNG | 18,750 | 129 | 145 | 100-277 VAC, 120-250 VDC | Neutral White 4000K | Clear Tempered Glass | Medium |
| HED7MN2ENN-WNGN | HEDGMC4PN-SNG | 26,000 | 186 | 140 | 100-277 VAC, 120-250 VDC | Neutral White 4000K | Clear Tempered Glass | Medium |

All values typical unless otherwise stated (tolerance +/- 10%).

Part numbers listed in bold are typically available in stock.

Part numbers listed in the table above are neutral white. For cool white models, replace the 6th character with a C.

Part numbers listed in the table above are neutral white. For warm white models, replace the 6th character with a W.

Historical part number provided for reference only. For performance characteristics of historical product, please contact your local representative.

North American HQ

1501 Route 34 South
Farmingdale, NJ 07727
Tel: 732-919-3119
Fax: 732-751-5778
info@dialight.com

Dialight Europe Ltd

Leaf C, Level 36, Tower 42
25 Old Broad Street
London, EC2N 1HQ, United Kingdom
Tel: +44 (0) 203 058 3540
Customer Service: +44 (0) 163 866 6541
sales-emea@dialight.com

Middle East

Level 23 – Boulevard Plaza Tower 2
Emaar Boulevard, Dubai, U.A.E.
P.O. Box 124342
Tel: +971 (4) 409-6962
Fax: +971 (4) 409-6850

Australia

108 Howe Street
Osborne Park, WA 6017
Tel: +61 (0) 8 9244 7600
Fax: +61 (0) 8 9244 7601
info@dialight.com.au

Southeast Asia

33 Ubi Avenue 3
#07-72 Vertex (Tower A)
Singapore 408868
Tel: +65 6578 7157
Fax: +65 6578 7150
enquiry@dialight.com.sg

Brazil

Alameda Mercurio,
225 – American Park Empresarial NR
Indaiatuba – SP – 13347– 662
Tel: +55 (19) 3113-4300
Fax: +55 (19) 3113-4300
brasil@dialight.com

WARNING / DISCLAIMERS:

Installation & secondary retention. The use of this product without proper installation (including secondary retention / netting) and periodic inspections, could cause severe injury or death. Dialight recommends that all installations should use secondary retention / netting (appropriate to the installation environment) as applicable. Dialight products are intended for ultimate purchase, installation and operation by knowledgeable persons trained in the functional assessment, installation, use and maintenance of such products and all customers (including but not limited to end customers) are responsible for assessing the suitability of Dialight products for any given installation requirement. It is the exclusive responsibility of the contractor, installer and/or end-user to: (a) determine the suitability of the product for its intended application; and, (b) ensure that the product is safely installed (with secondary retention / netting as appropriate) and in compliance with all applicable laws and regulations.

Product specifications & warranties. All product information provided is, to the best of Dialight's knowledge, accurate as of the date of publication. All values and performance data herein are design or typical values when measured under laboratory conditions. The information herein is subject to change without notice. The products / software detailed herein are subject to applicable warranties and terms and conditions of use/purchase. Unless agreed otherwise in writing by an authorized representative of Dialight, Dialight does not represent that its products are fit for any particular purpose and accepts no liability for the installation and/or unauthorised use of its products. When ordering, refer to www.dialight.com for current versions of: (a) relevant product documentation (including relevant product data sheets); (b) Dialight terms and conditions of sale; and, (c) the relevant product warranties. To the extent that any contract is deemed formed between Dialight and the purchaser of Dialight products and/or an end-user, versions of documents available at www.dialight.com as at the date of sale shall be the versions incorporated therein. In the event of any discrepancy between this document and information provided at www.dialight.com, the latter shall prevail.

Exclusion of liability. To the extent permissible under the relevant law, Dialight disclaims all liability for personal injury and/or other damage resulting from any dislodgment or other dislocation of its products. Whilst Dialight has used its reasonable endeavours to ensure the completeness and accuracy of information herein, Dialight does not assume any liability for damages resulting from use of this information or for any third-party representations made in relation to Dialight products.

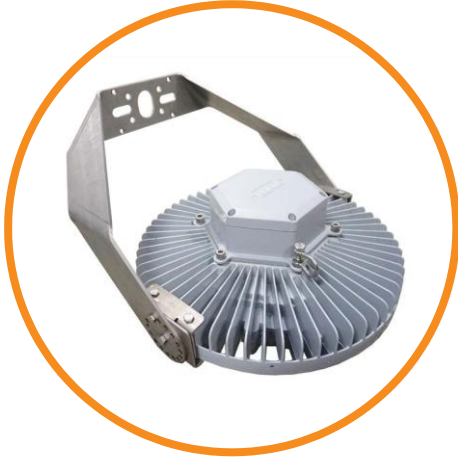


SafeSite[®] LED Floodlight - ATEX / IECEx for Outdoor Industrial Applications - APAC



SafeSite® LED Floodlight - ATEX / IECEx

Standard Models



Certifications & Ratings (All Models)

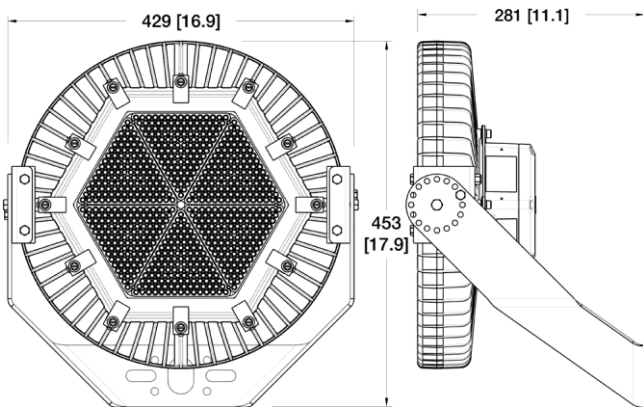
- 10 year warranty
- ATEX / IECEx Zones 1, 21
- ATEX / IECEx Zones 2, 22
- CE
- IP66
- RoHS compliant
- L70 rated for >150,000 hours @ 25°C

Certifications & Ratings (IIB Models)

- Ex II 2 GB
- Ex db eb IIB T5 Gb
- Ex tb IIIC T100°C Db
- Certificate numbers:
Sira 18ATEX1001X
IECEx SIR 18.0001X

Certifications & Ratings (IIB + H2 Models)

- Ex II 2 GD
- Ex de IIB+H2 T4 Gb
- Ex tb IIIC 135°C
- Certificate numbers:
Baseefa 12ATEX0070X
IECEx BAS 12.0044X



Dimensions in mm (inches)

Mechanical Information:

| | |
|-----------------|---|
| Fixture weight: | 15.4 kg (34 lb) |
| Mounting: | 316 stainless steel mounting bracket (included) |
| Wiring options: | Factory fitted junction terminal box with 2 off M25 x 1.5mm cable entries |

Electrical Specifications:

| | |
|---------------------------------|--|
| Operating voltage: | |
| Standard Models: | 100-277 VAC, 120-250 VDC |
| Hydrogen Models: | 100-277 VAC |
| Dimming: | DALI 2.0 compatible (FSA models only) |
| Total system power consumption: | See table |
| Operating temperature: | -40°C to +60°C |
| Harmonics: | IEC 61000-3-2 |
| Surge protection: | Protection devices capable of handling up to 6kV. Tested for 6kV/2 ohm combination wave, as per IEEE C62.41, line-line and line-ground |
| THD: | <20% |
| Power factor: | > 0.9 |

Construction:

| | |
|----------|--|
| Housing: | Copper-free aluminum |
| Finish: | Superior dual coat finish - Sealed polyester topcoat - Chemical resistant epoxy primer |
| Lens: | Tempered glass (optional fragment retention film available) |

Photometric Information:

| | |
|------|---|
| CRI: | 80 typical |
| CCT: | 4000K (neutral white) 5000K (cool white) |

All values typical unless otherwise stated (tolerance +/- 10%)

WARNING - INSTALLATION & SECONDARY RETENTION. Use of any Dialight products without proper installation (including secondary retention / netting) and periodic inspections could cause severe injury or death. Dialight recommends that all installations should use secondary retention / netting (appropriate to the installation environment) where applicable. It is the exclusive responsibility of the contractor, installer and/or end-user to: (a) determine the suitability of the product for its intended application; and, (b) ensure that the product is safely installed (with secondary retention / netting where appropriate) and in compliance with all applicable laws and regulations. To the extent permissible under applicable laws, Dialight disclaims all liability for personal injury and/or other damage resulting from any dislodgment or other dislocation of its products.

SafeSite® LED Floodlight - ATEX / IECEx

Ordering Information

| Current Part Number | Historic Part Number | Hydrogen Environment | Fixture Lumens | Typical Wattage | lm/W | Voltage | Colour Temperature (CCT) | Lens | Beam Distribution |
|---------------------|----------------------|----------------------|----------------|-----------------|------|--------------------------|--------------------------|----------------|-------------------|
| Standard Models | | | | | | | | | |
| FSA-7MN2-EAVN-NGN | FLA9MN4PN-JNG | | 25,900 | 185 | 140 | 100-277 VAC, 120-250 VDC | 4000K (neutral white) | Tempered Glass | Medium |
| FSA-76N2-EAVN-NGN | FLA9NN4PN-JNG | | 25,900 | 185 | 140 | 100-277 VAC, 120-250 VDC | 4000K (neutral white) | Tempered Glass | Narrow |
| FSA-7MN2-CAVN-NGN | FLA9MN4KN-JNG | | 18,600 | 130 | 143 | 100-277 VAC, 120-250 VDC | 4000K (neutral white) | Tempered Glass | Medium |
| FSA-76N2-CAVN-NGN | FLA9NN4KN-JNG | | 18,600 | 130 | 143 | 100-277 VAC, 120-250 VDC | 4000K (neutral white) | Tempered Glass | Narrow |
| Hydrogen Models | | | | | | | | | |
| FLH9MN4PN-KNG | | • | 23,500 | 212 | 110 | 110-277 VAC | 4000K (neutral white) | Tempered Glass | Medium |
| FLH9NN4PN-KNG | | • | 23,500 | 212 | 110 | 110-277 VAC | 4000K (neutral white) | Tempered Glass | Narrow |
| FLH9MN4KN-KNG | | • | 16,000 | 144 | 111 | 100-277 VAC | 4000K (neutral white) | Tempered Glass | Medium |
| FLH9NN4KN-KNG | | • | 16,000 | 144 | 111 | 100-277 VAC | 4000K (neutral white) | Tempered Glass | Narrow |

All values typical unless otherwise stated. Lumen values are typical (tolerance +/- 10%).

Part numbers listed in bold are typically available in stock.

For optional glass fragment retention film, change the 4th character from a 7 to a G. Example: FSA-7MN2-EAVN-NGN becomes FSA-GMN2-EAVN-NGN
 For additional ordering colour temperatures and optical patterns, please consult the factory.

SafeSite® LED Floodlight - ATEX / IECEx

Mounting Options & Beam Distribution Patterns



HBXSBK

- Sand blast kit (flat lens)

HBXSBL

- Sacrificial flat lens

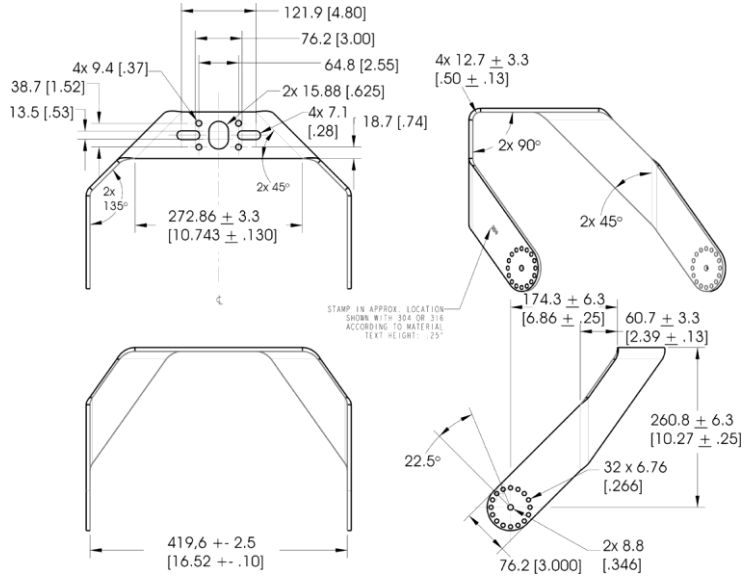


HBXSBDK

- Sand blast kit (dome lens)

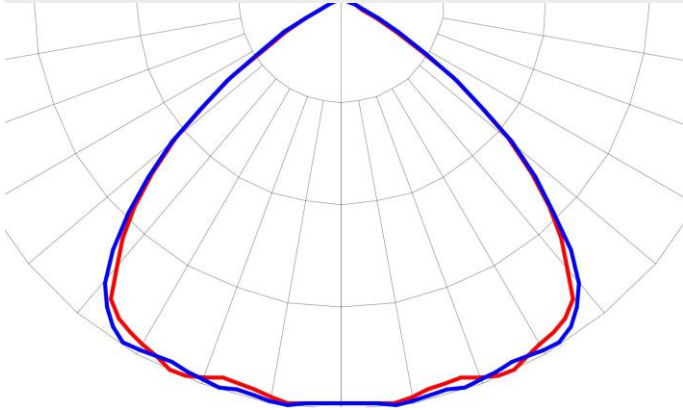
HBXSBDL

- Sacrificial dome lens

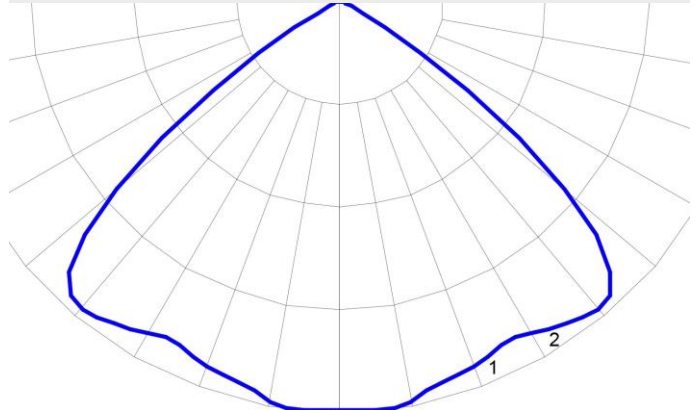


Dimensions in mm (inches)

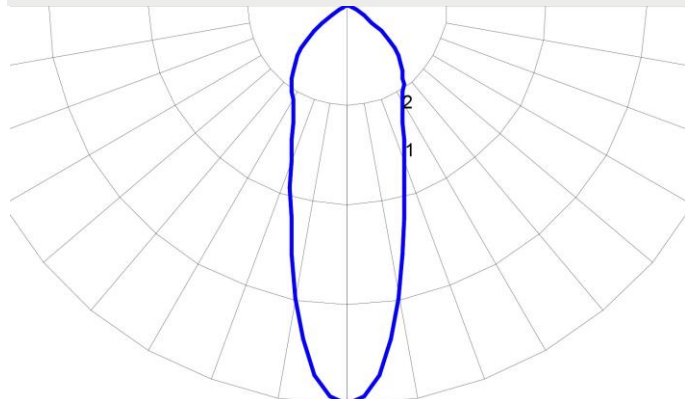
Medium Pattern



Wide Pattern



Narrow Pattern



DISCLAIMER: All information provided is, to the best of Dialight's knowledge, accurate as of the date of publication, but is subject to change without notice and does not form part of any contract with Dialight. When ordering please refer to www.dialight.com for current versions of: (a) relevant product documentation (including the most up to date product data sheets); (b) Dialight terms and conditions of sale; and, (c) the relevant product warranty. All information provided is, to Dialight's knowledge, accurate at the date of publication, but is subject to change without notice and does not form part of any contract with Dialight. In the event of any discrepancy between this document and information provided on our website, the latter shall prevail.

North American HQ

1501 Route 34 South
Farmingdale, NJ 07727
Tel: 732-919-3119
Fax: 732-751-5778
info@dialight.com

Australia

108 Howe Street
Osborne Park, WA 6017
Tel: +61 (0) 8 9244 7600
Fax: +61 (0) 8 9244 7601
info@dialight.com.au

Dialight Europe Ltd

Highdown House, Yeoman Way,
Worthing, England BN99 3HH
Tel: +44 (0) 203 058 3540
Customer Service: +44 (0) 163 866 6541
sales-emea@dialight.com

Southeast Asia

56 Kallang Pudding Road
#09 – 08 HH@Kallang
Singapore 349328
Tel: +65 6578 7271
Fax: +65 6578 7150
enquiry@dialight.com.sg

Middle East

Level 23 – Boulevard Plaza Tower 2
Emaar Boulevard, Dubai, U.A.E.
P.O. Box 124342
Tel: +971 (4) 409-6962
Fax: +971 (4) 409-6850

WARNING / DISCLAIMERS:

Installation & secondary retention. The use of this product without proper installation (including secondary retention / netting) and periodic inspections, could cause severe injury or death. Dialight recommends that all installations should use secondary retention / netting (appropriate to the installation environment) as applicable. Dialight products are intended for ultimate purchase, installation and operation by knowledgeable persons trained in the functional assessment, installation, use and maintenance of such products and all customers (including but not limited to end customers) are responsible for assessing the suitability of Dialight products for any given installation requirement. It is the exclusive responsibility of the contractor, installer and/or end-user to: (a) determine the suitability of the product for its intended application; and, (b) ensure that the product is safely installed (with secondary retention / netting as appropriate) and in compliance with all applicable laws and regulations.

Product specifications & warranties. All product information provided is, to the best of Dialight's knowledge, accurate as of the date of publication. All values and performance data herein are design or typical values when measured under laboratory conditions. The information herein is subject to change without notice. The products / software detailed herein are subject to applicable warranties and terms and conditions of use/purchase. Unless agreed otherwise in writing by an authorized representative of Dialight, Dialight does not represent that its products are fit for any particular purpose and accepts no liability for the installation and/or unauthorised use of its products. When ordering, refer to www.dialight.com for current versions of: (a) relevant product documentation (including relevant product data sheets); (b) Dialight terms and conditions of sale; and, (c) the relevant product warranties. To the extent that any contract is deemed formed between Dialight and the purchaser of Dialight products and/or an end-user, versions of documents available at www.dialight.com as at the date of sale shall be the versions incorporated therein. In the event of any discrepancy between this document and information provided at www.dialight.com, the latter shall prevail.

Exclusion of liability. To the extent permissible under the relevant law, Dialight disclaims all liability for personal injury and/or other damage resulting from any dislodgment or other dislocation of its products. Whilst Dialight has used its reasonable endeavours to ensure the completeness and accuracy of information herein, Dialight does not assume any liability for damages resulting from use of this information or for any third-party representations made in relation to Dialight products.